

0240250

**GRAPHIC PANEL, CONTROL HOOD AND CONTROLS**  
(Models LES10A\* and LGS10A\*)

\* ADD LETTER TO DESIGNATE COLOR. L - Almond W - White

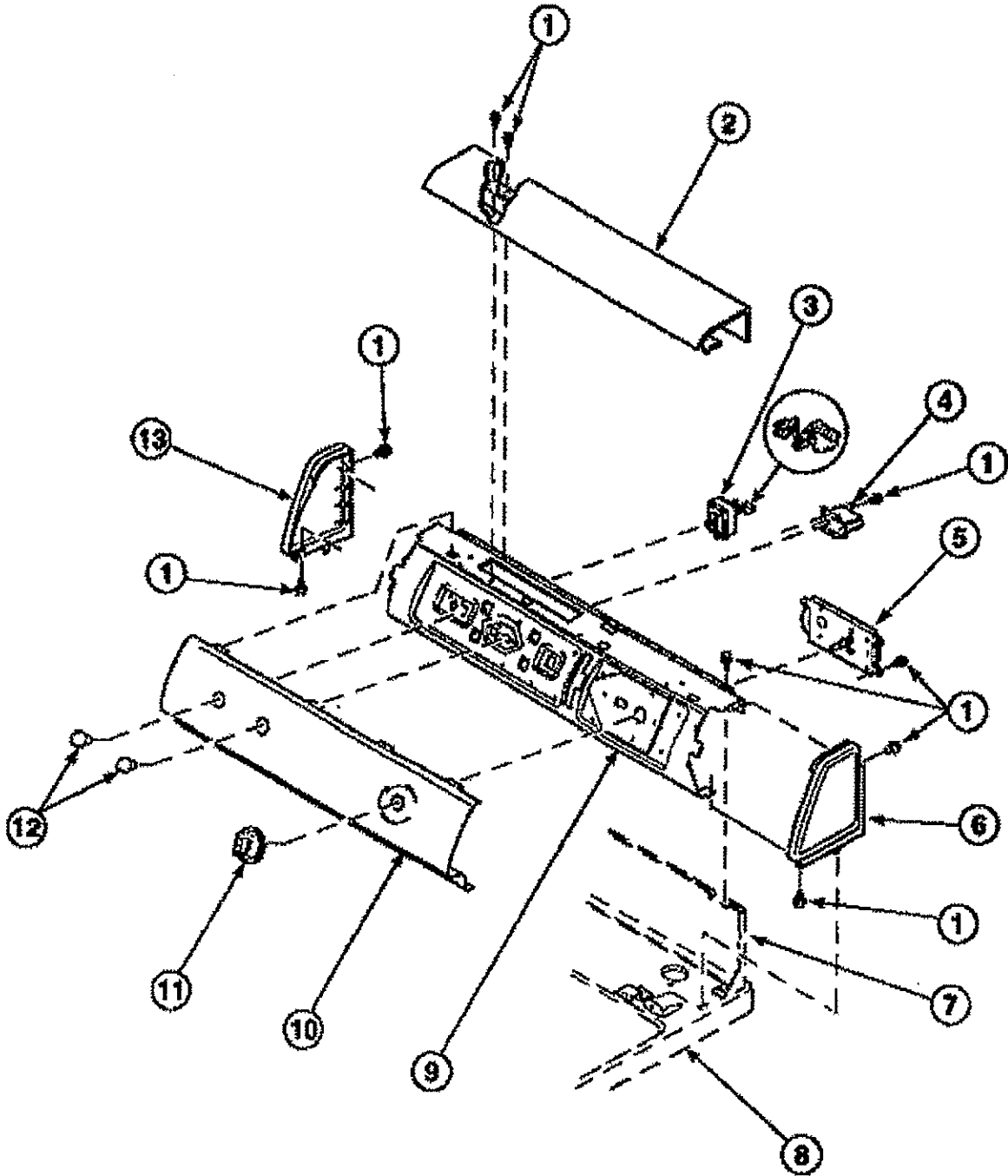
RP3200004 (S04010)  
Rev. 0

8

REF	PART #	DESCRIPTION	COMMENTS
1	501086	SCREW	
2	503674*	TOP COVER	
3	503997	FABRIC SELECTOR SWITCH	All models except LEK33A*-4350, LES33A*-4562 and LGK33A*-3058
3	503998	FABRIC SELECTOR SWITCH	Model LES33A*-4562
3	61511	FABRIC SELECTOR SWITCH	Models LEK33A*-4350 and LGK33A*-3058
4	500730	SIGNAL	Models LEK33A*-4350 and LGK33A*-3058
4	504191	SIGNAL	Models LES33A*, LES33A*-3300 and LGS33A
4	504192	SIGNAL	Models LES33A*-3000, LES33A*-4350, LES33A*-4562, LES33A*B3018, LEZ33A*-3000, LEZ33A*B3018, LGS33A*-3000, LGS33A*-3058, LGS33A*-3080, LGS33A*B3013, LGS33A*B3080, LGZ33A*-3000 and LGZ33A*B3013
5	502964	TIMER	Models LEK33A*-4350, LES33A*-4562 and LGK33A*-3058
5	502966	TIMER	Models LES33A*B3018, LEZ33A*B3018 and LGS33A*B3013
5	503912	TIMER	Models LES19A* and LES33A*
5	504546	TIMER	Models LGS19A*, LGS19A*-1188 and LGS33A*
5	— 504547	TIMER	Models LES19A*-3000, LES33A*-3000, LES33A*-4350, LEZ33A*-3000, LGS19A*-3088, LGS33A*-3000, LGS33A*-3058, LGS33A*-3080 and LGZ33A*-3000
6	504008*	END CAP RIGHT	
7	500343	CONTROL HOOD REAR PANEL	
8	500085*P	CABINET TOP	
9	503901	SUPPORT CONTROL PANEL	All models except LEK33A*-4350 and LGK33A*-3058
10	502515*	GRAPHIC PANEL	Models LEK33A*-4350 and LGK33A*-3058
10	503394	GRAPHIC PANEL	Model LES33A*-4562
10	504020*	GRAPHIC PANEL	Models LES33A*, LES33A*-3000, LES33A*-3300, LES33A*4350, LGS33A*, LGS33A*-3000, LGS33A*-3058, LGS33A*-3080 and LGZ33A*-3000
10	504070*	GRAPHIC PANEL	Models LES33A*B3018, LGS33A*B3013 and LGS33A*B3080
10	504072*	GRAPHIC PANEL	Models LEZ33A*-3000 and LEZ33A*B3018
10	504107*	GRAPHIC PANEL	Model LGZ33A*B3013
10	504197*	GRAPHIC PANEL	Models LES19A*, LES19A*-3000, LES33A*-3000, LGS19A*, LGS19A*-1188 and LGS19A*-3088
11	502220*	TIMER KNOB ASSEMBLY	Models LEK33A*-4350, LES33A*-4562 and LGK33A*-3058
11	504002	TIMER KNOB ASSEMBLY	All models except LEK33A*-4350, LES33A*-4562 and LGK33A*-3058
12	33688	SWITCH KNOB ASSEMBLY	All models except LEK33A*-4350 and LES33A*-4562
12	36701*	SWITCH KNOB ASSEMBLY	Models LEK33A*-4350 and LES33A*-4562
13	504009*	END CAP LEFT	

\* ADD LETTER TO DESIGNATE COLOR. L - Almond W - White

### GRAPHIC PANEL, CONTROL HOOD AND CONTROLS



0263P23C

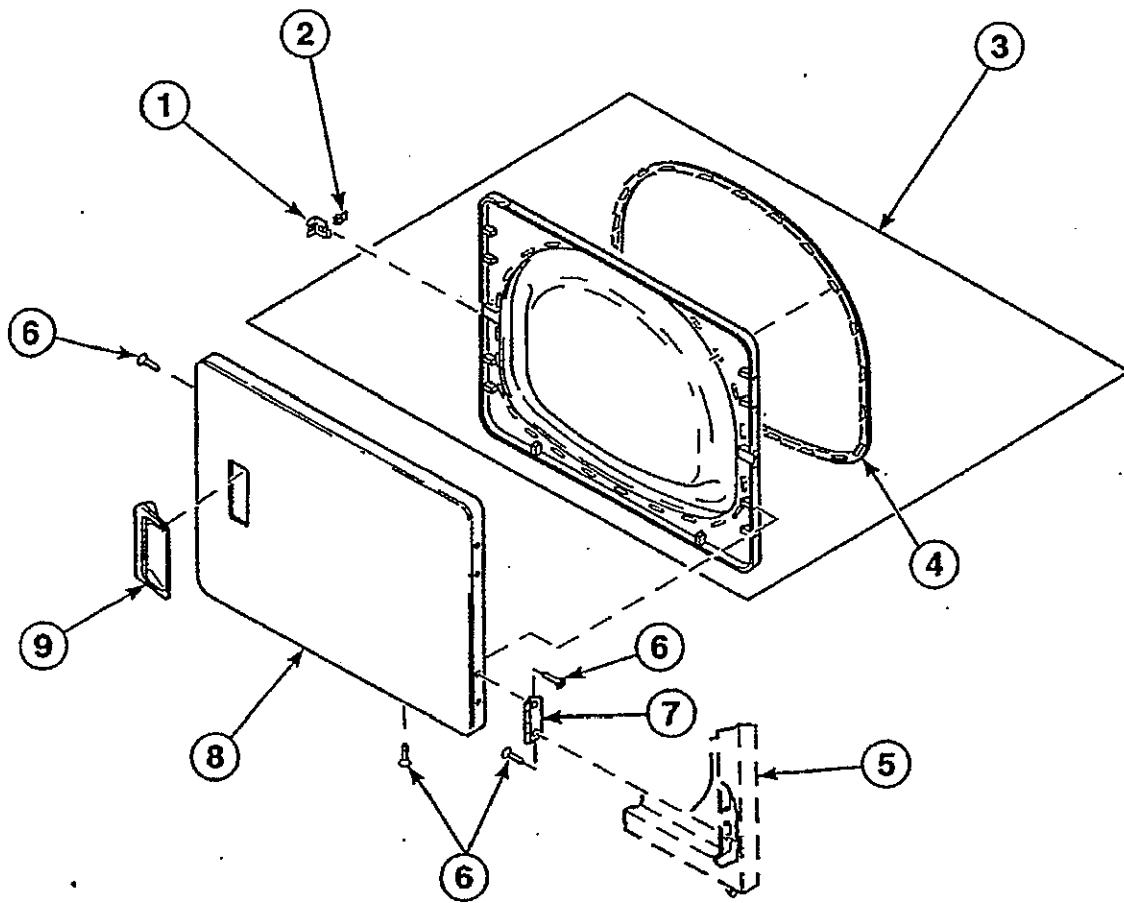
**GRAPHIC PANEL, CONTROL HOOD AND CONTROLS**  
(Models LES19A\*, LES33A\*, LES34A\*, LGS19A\*, LGS33A\* and LGS34A\*)

\* ADD LETTER TO DESIGNATE COLOR. L - Almond W - White

REF	PART #	DESCRIPTION	COMMENTS
1	24903	LABEL	
2	500343	CONTROL HOOD REAR PANEL	
3	59971	TRANSFORMER AND PLUG	Models LGS19A*-3088 and LGS33A*-3000
3	59972	TRANSFORMER AND PLUG	Model LGS33A*-3080
4	20267	SCREW	
5	03815	LOCKWASHER	
6	501086	SCREW	
7	503688	SCREW	
8	23951	KEPS NUT	
9	500001*P	CABINET	
10	500084	HOLD-DOWN BRACKET	
11	503661	SCREW	
12	500085*P	CABINET TOP	Includes two 500084 Hold-down Brackets
13	501241	HOLD-DOWN CLIP	

\* ADD LETTER TO DESIGNATE COLOR. L - Almond W - White

**CABINET TOP AND CONTROL HOOD REAR PANEL**



D287PZ3C

LOADING DOOR

\* ADD LETTER TO DESIGNATE COLOR. L - Almond W - White

REF	PART #	DESCRIPTION	COMMENTS
1	500223 /	DOOR STRIKER BRACKET	
2	500039	DOOR STRIKER	
3	503643W	INNER DOOR PANEL AND SEAL	Includes 50364S Door Seal
4	503645	DOOR SEAL	
5	503656*	FRONT PANEL	
6	505050	SCREW	
7	503676	DOOR HINGE	
8	503654*	OUTER DOOR PANEL	
9	503646*	DOOR PULL	

\* ADD LETTER TO DESIGNATE COLOR. L - Almond W - White

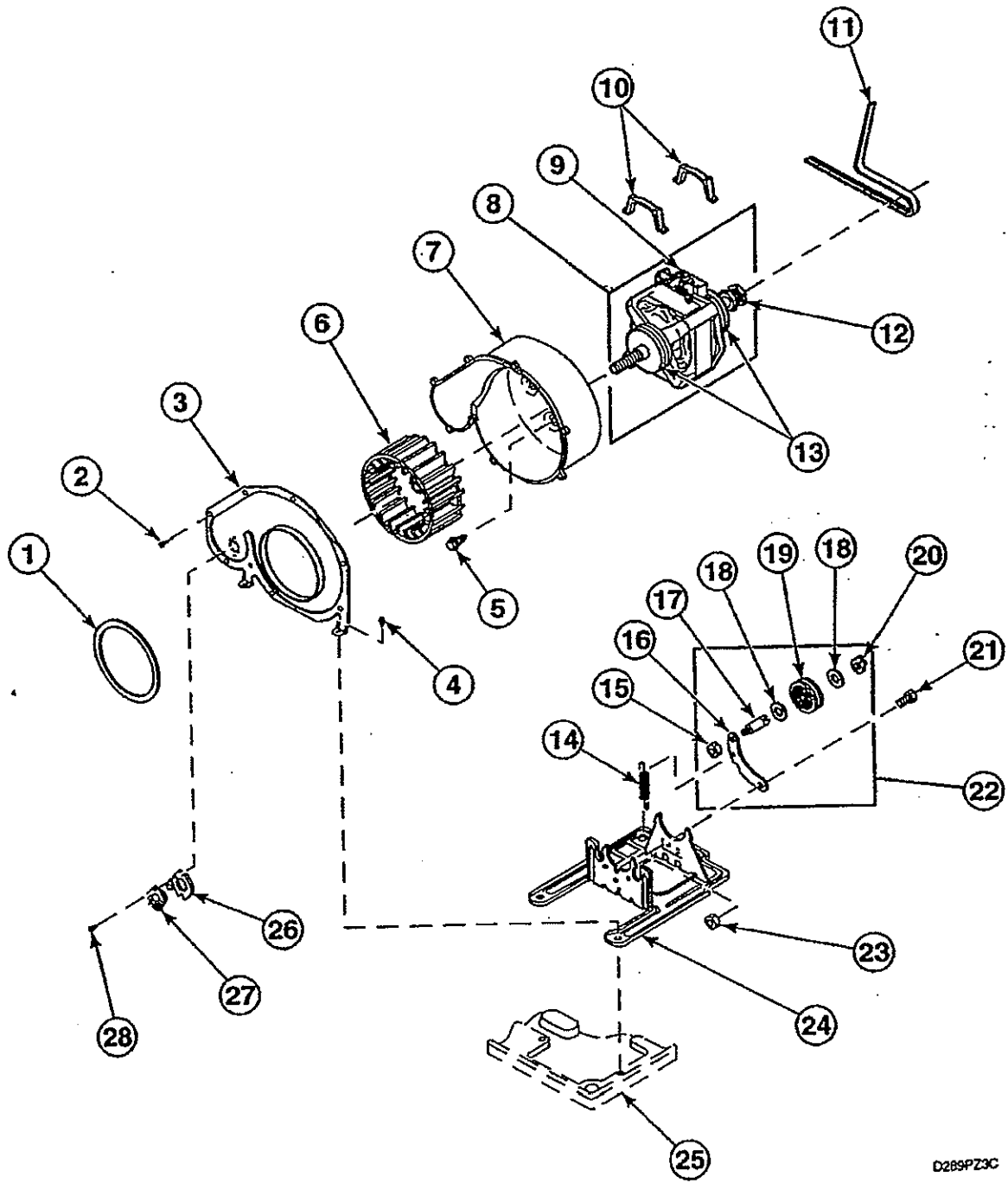
LOADING DOOR



REF	PART #	DESCRIPTION	COMMENTS
1	32671	SCREW	
2	56079	LOCATOR	
3	56080	HOLD-DOWN CLIP	
4	504570	DOOR SWITCH	
5	504005	FRONT PANEL SEAL	
6	503656*	FRONT PANEL	
7	503661	SCREW	
8	500670	LABEL	Gas Models
9	503796*	LOWER ACCESS PANEL	
10	54660	DOOR CATCH	
11	500281	LABEL	

\* ADD LETTER TO DESIGNATE COLOR. L - Almond W - White

LOWER ACCESS PANEL, FRONT PANEL AND SEAL



D289PZ3C

MOTOR, EXHAUST FAN AND BELT

\* ADD LETTER TO DESIGNATE COLOR. L - Almond W - White

REF	PART #	DESCRIPTION	COMMENTS
1	504018	SEAL	
2	31260	SCREW	
3	500078	EXHAUST FAN COVER	
4	503661	SCREW	
5	31645	SCREW	
6	56000	EXHAUST FAN IMPELLER	
7	56020	EXHAUST FAN HOUSING	
8	501212	MOTOR ASSEMBLY	Models LEK33A*-4350, LES19A*-3000, LES33A*-3000, LES33A*-4350, LES33A*-4562, LES33A*B3018, LEZ33A*-3000, LEZ33A*B3018, LGK33A*-3058, LGS19A*-3088, LGS33A*-3000, LGS33A*-3058, LGS33A*-3080, LGS33A*B3013, LGS33A*B3080, LGZ33A*-3000 and LGZ33A*B3013
8	501213	MOTOR ASSEMBLY	Model LES33A*-3300
8	502368	MOTOR ASSEMBLY	Models LES19A*, LES33A*, LGS19A*, LGS19A*-1188 and LGS33A*
9	501218	MOTOR SWITCH	Does not include thermal protector
10	59047	MOTOR MOUNTING CLAMP	
11	59174	BELT	
12	500011	MOTOR PULLEY	
13	590P3	MOTOR HUB RING KIT	
14	56076	SPRING	
15	56156	LOCKNUT	
16	500910	IDLER LEVER	
17	56461	SHAFT	
18	52549	WASHER	
19	54414	IDLER PULLEY	
20	23748	RETAINER RING	
21	500824	SHOULDER SCREW	
22	500269	IDLER PULLEY AND LEVER ASSEMBLY	
23	52566	JAM NUT	
24	503613	MOTOR MOUNTING BRACKET	
25	500070	BASE	
26	61623	THERMOSTAT HEATER	Models LES19A*, LES33A*, LGS19A*, LGS19A*-1188 and LGS33A*
27	503979	THERMOSTAT	Models LGS19A*, LGS19A*-1188 and LGS33A*
27	504514	THERMOSTAT	Models LES19A* and LES33A*
27	504518	THERMOSTAT	Models LEK33A*-4350, LES19A*-3000, LES33A*-3300, LES33A*-4350, LEZ33A*-3000, LGK33A*-3058, LGS19A*-3088, LGS33A*-3000, LGS33A*-3058, LGS33A*-3080 and LGZ33A*-3000
27	504519	THERMOSTAT	Models LES33A*B3018, LEZ33A*B3018, LGS33A*B3013, LGS33A*B3080 and LGZ33A*B3013
27	504520	THERMOSTAT	Low (Pink) Model LES33A*-4562
27	504521	THERMOSTAT	High (Yellow/White) Model LES33A*-4562
28	33561	SCREW	

\* ADD LETTER TO DESIGNATE COLOR. L - Almond W - White

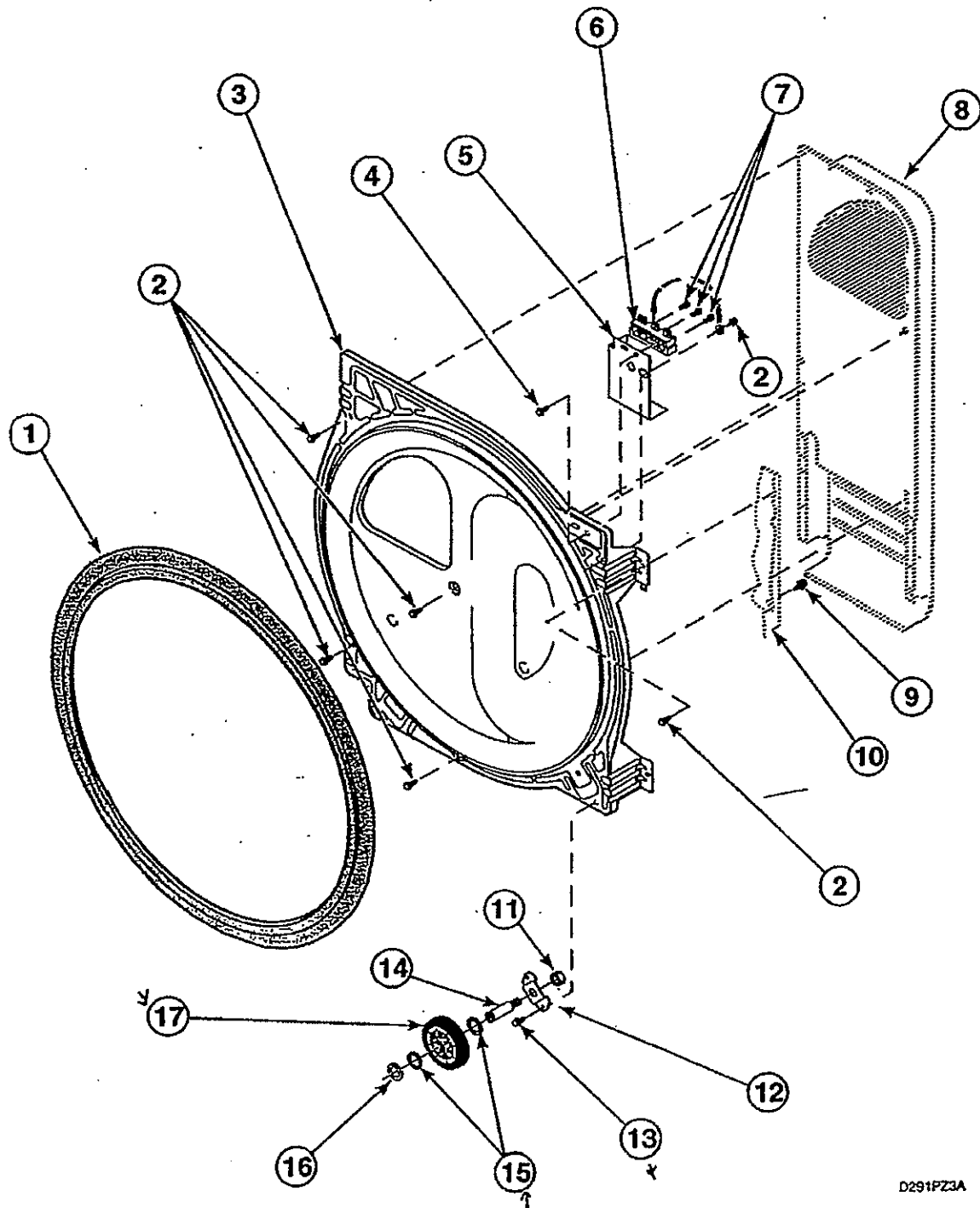
### MOTOR, EXHAUST FAN AND BELT



REF	PART #	DESCRIPTION	COMMENTS
	22506P	ADHESIVE FOR CYLINDER SEAL	
1	501801	CYLINDER SEAL	
2	503703	BAFFLE	
3	504467WP	CYLINDER ASSEMBLY	
4	62588	SCREW	
5	500001*P	CABINET	
6	501554	GLIDE BRACKET	
7	500226	SCREW	
8	503651	SCREW	Used on models with the 503622 Cylinder Light Housing
9	503626	LOWER AIR DUCT ASSEMBLY	
10	501285	SCREW	
11	504203	UPPER AIR DUCT ASSEMBLY	
12	503627	LINT FILTER	
13	500092	FELT PAD	
14	501676	CYLINDER GLIDE	Painted and unpainted cylinder - one required per side
15	505059W	FRONT BULKHEAD	

\* ADD LETTER TO DESIGNATE COLOR. L - Almond W - White

**FRONT BULKHEAD, AIR DUCT, FELT SEAL AND CYLINDER**



D291PZ3A

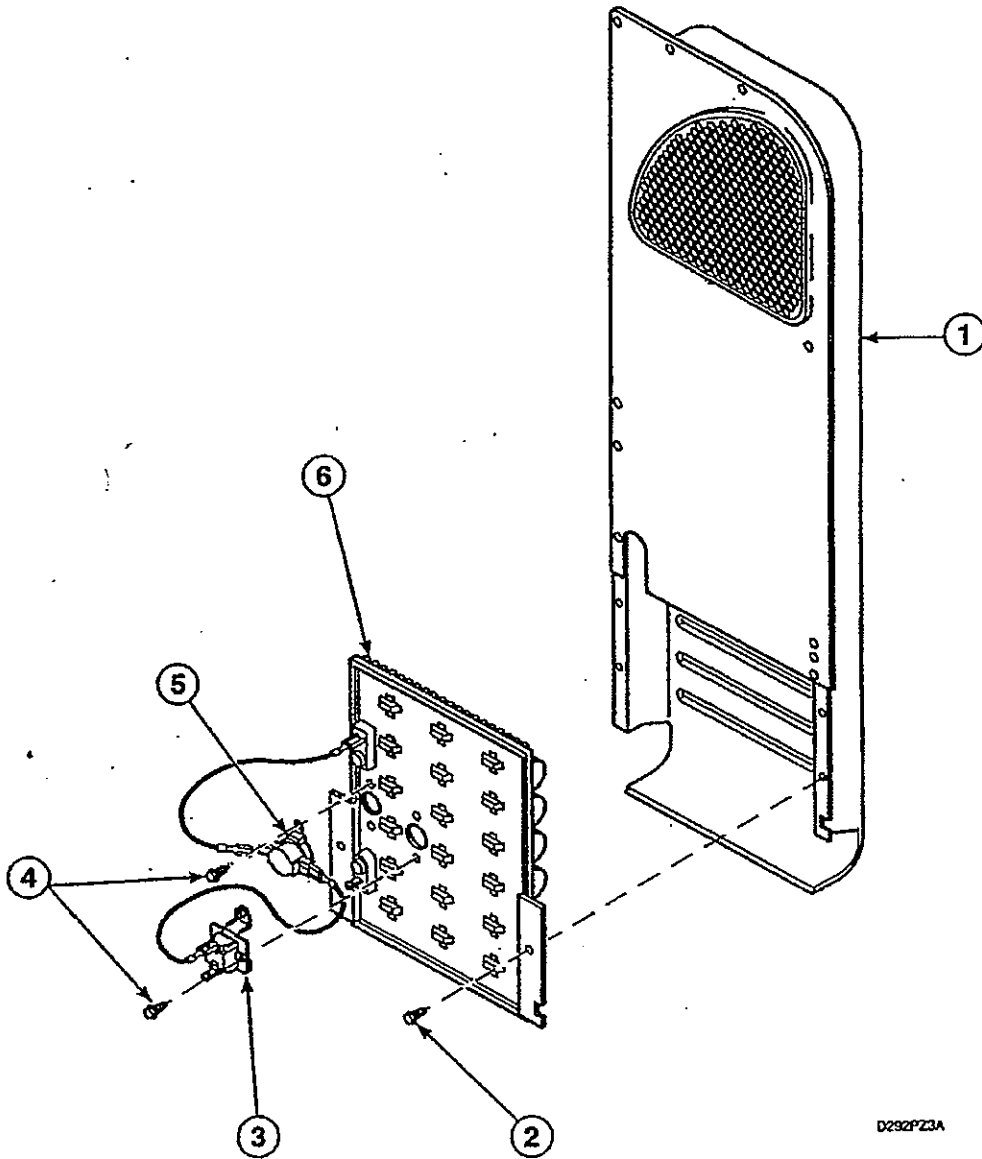
**REAR BULKHEAD, FELT SEAL, CYLINDER ROLLER AND TERMINAL BLOCK**

\* ADD LETTER TO DESIGNATE COLOR. L - Almond W - White

REF	PART #	DESCRIPTION	COMMENTS
	22506P	ADHESIVE FOR CYLINDER SEAL	X
1	501801	CYLINDER SEAL	X
2	503661	SCREW	
3	505245	REAR BULKHEAD	Painted
4	501285	SCREW	
5	504185	SHIELD	
6	61923P	TERMINAL BLOCK	Includes three 61199 Screws - Electric Models
7	501285	SCREW	
7	503688	SCREW	
8	503607	HEATER ASSEMBLY	
9	501668	SCREW	
10	500001*P	CABINET	
11	56156	LOCKNUT	
12	500062	ROLLER BRACKET	
13	503688	SCREW	
14	56461	SHAFT	
15	52549	WASHER	
16	23748	RETAINER RING	
17	500214	CYLINDER ROLLER	

\* ADD LETTER TO DESIGNATE COLOR. L - Almond W - White

**REAR BULKHEAD, FELT SEAL, CYLINDER ROLLER AND TERMINAL BLOCK**



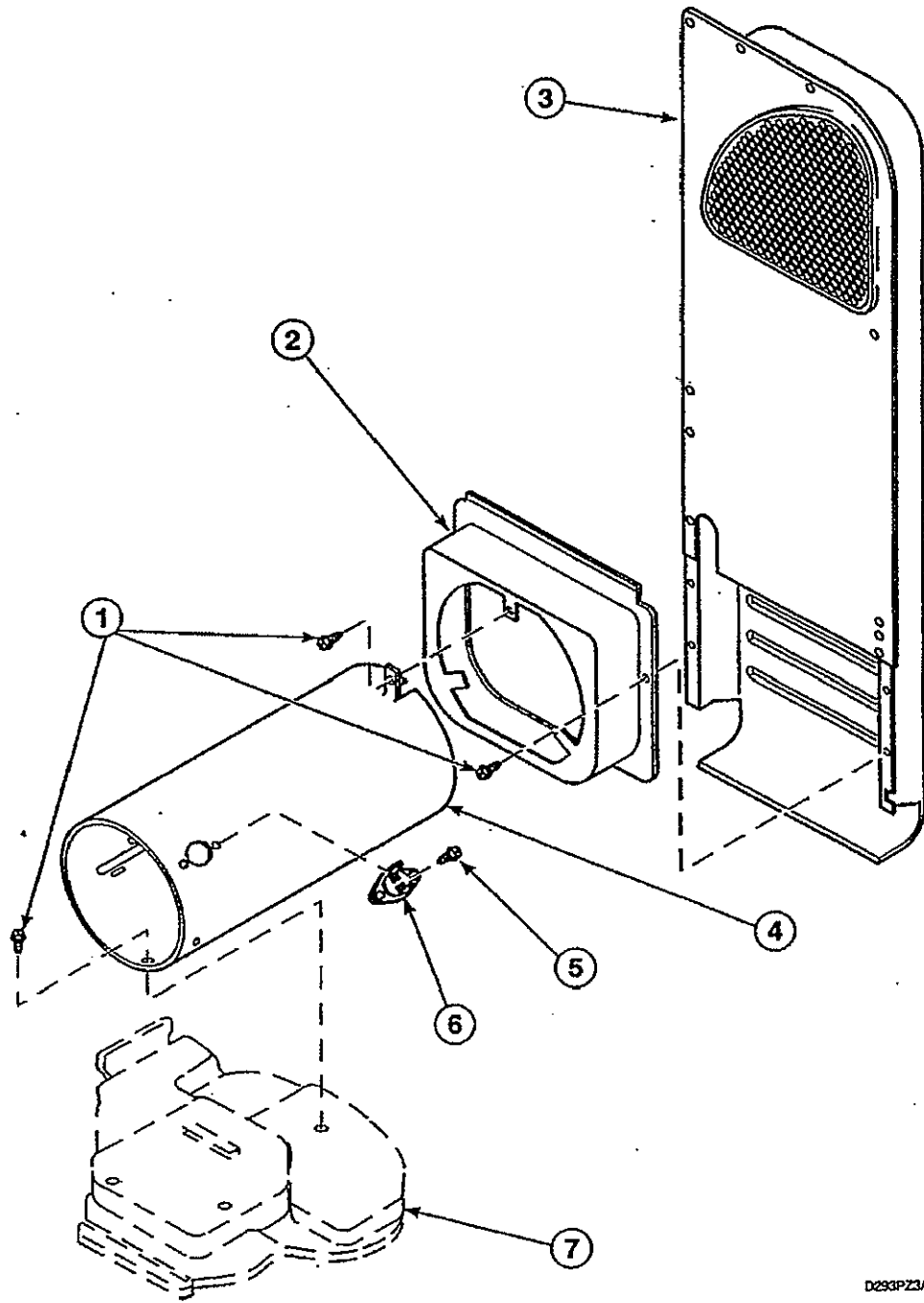
**HEATER DUCT AND ELEMENT ASSEMBLY**  
(Electric Model Dryers)

\* ADD LETTER TO DESIGNATE COLOR. L - Almond W - White

REF	PART #	DESCRIPTION	COMMENTS
1	503607	HEATER DUCT ASSEMBLY	
2	503688	SCREW	
3	62600	THERMAL FUSE	
4	23222	SCREW	
5	504237	LIMIT THERMOSTAT	
6	503978	HEATER ASSEMBLY	Models LES19A* and LES33A*
6	61195	HEATER ASSEMBLY	Models LES33A*-3300
6	61514	HEATER ASSEMBLY	Models LES19A*-3000, LES33A*-3000, LES33A*83018, LEZ33A*-3000 and LEZ33A*83018
6	61515	HEATER ASSEMBLY	Models LEK33A*-4350 and LES33A*
6	61516	HEATER ASSEMBLY	Model LES33A*-4562

\* ADD LETTER TO DESIGNATE COLOR. L - Almond W - White

**HEATER DUCT AND ELEMENT ASSEMBLY**  
(Electric Model Dryers)



D293PZ3A

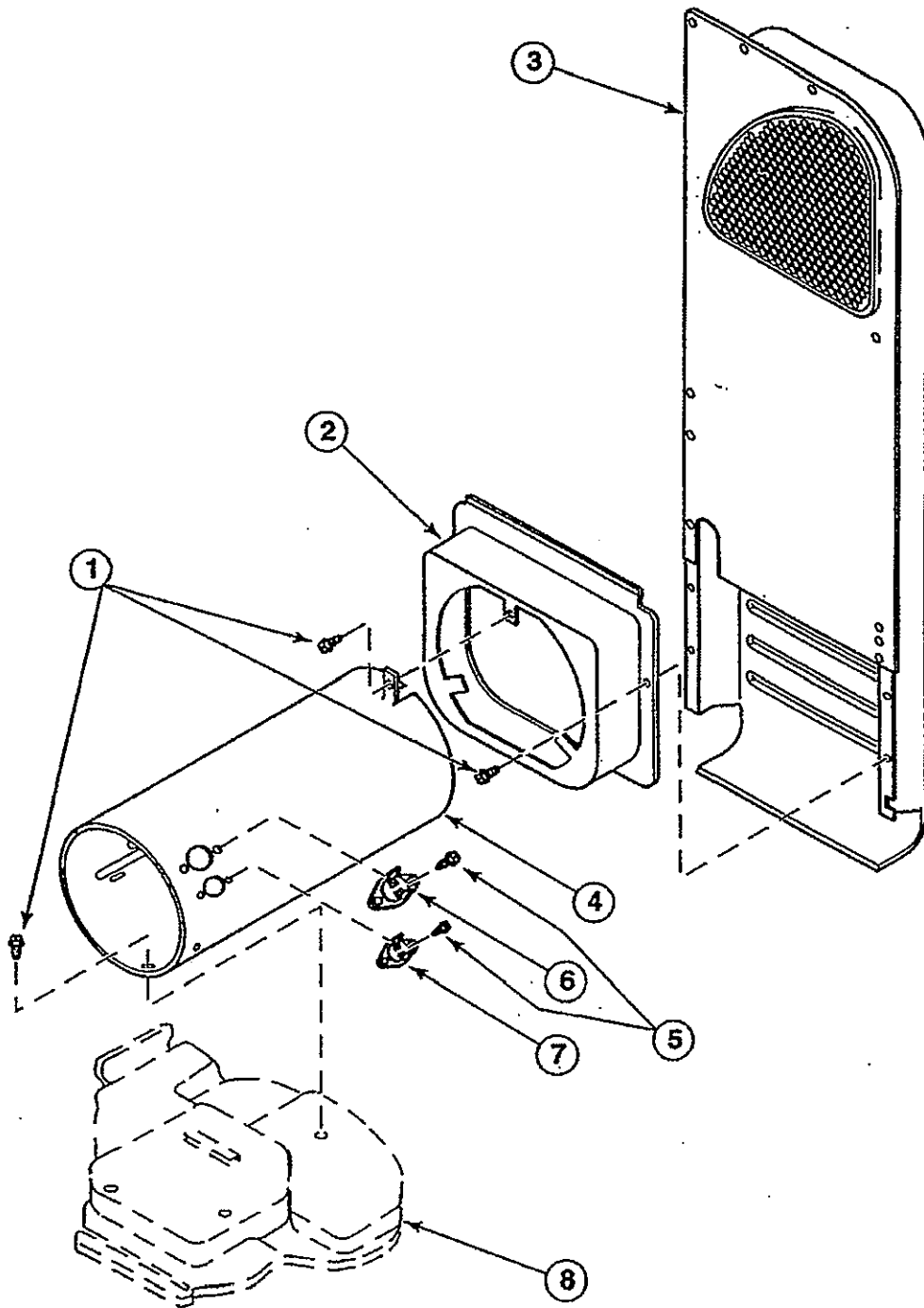
**HEATER DUCT ASSEMBLY**  
(Gas Model Dryers)

\* ADD LETTER TO DESIGNATE COLOR. L - Almond W - White

REF	PART #	DESCRIPTION	COMMENTS
1	503588	SCREW	
2	500122	HEAT SHROUD	
3	503607	HEATER DUCT ASSEMBLY	
4	61888	COMBUSTION DUCT	Gas - All models except LGK33A*-3058
5	51782	SCREW	
6	61886	LIMIT THERMOSTAT	Gas - All models except LGK33A*-3058

\* ADD LETTER TO DESIGNATE COLOR. L - Almond W - White

**HEATER DUCT ASSEMBLY**  
(Gas Model Dryers)



D328PZ3A

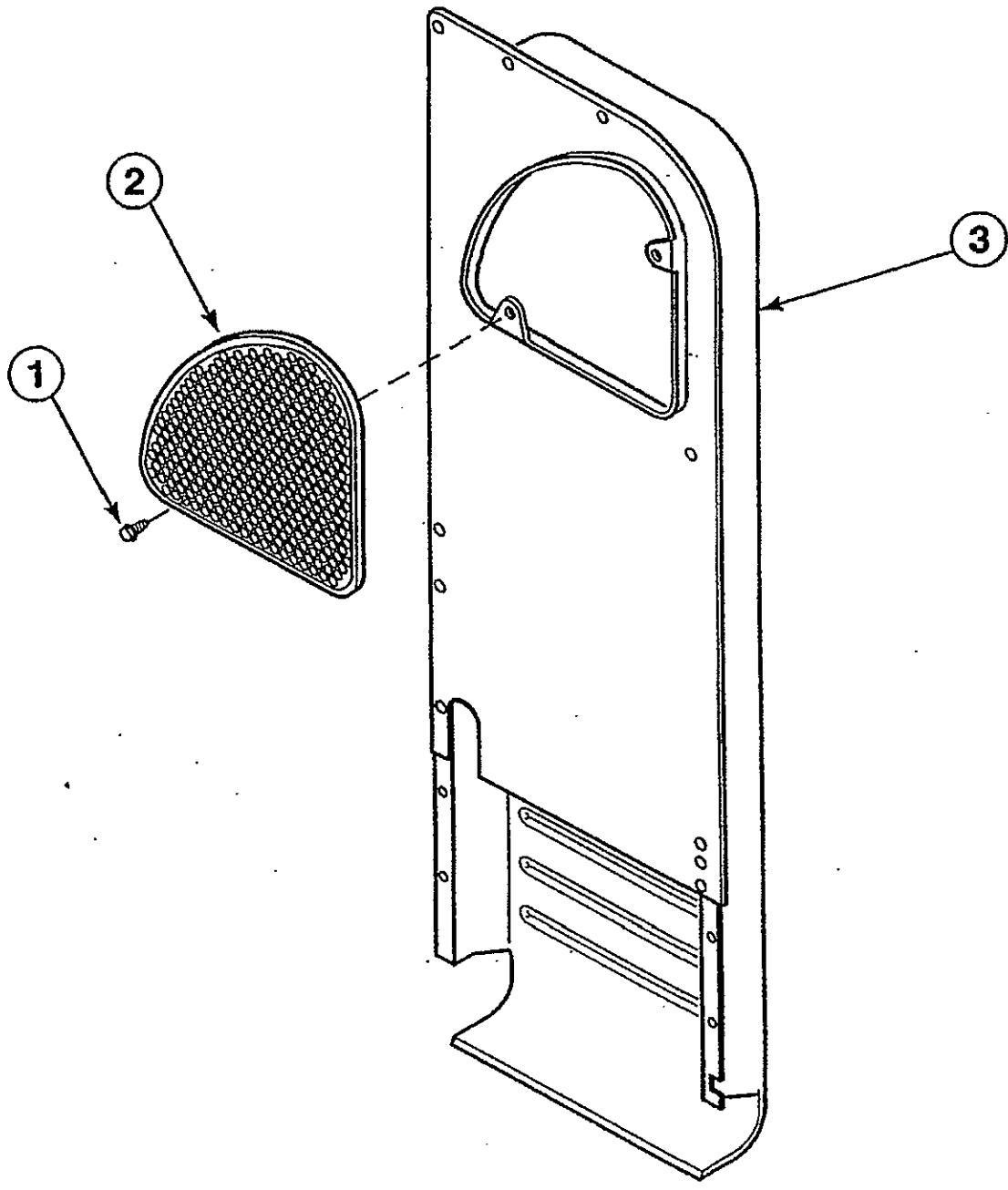
**HEATER-DUCT ASSEMBLY**  
(Gas Model Dryers)

\* ADD LETTER TO DESIGNATE COLOR. L - Almond W - White

REF	PART #	DESCRIPTION	COMMENTS
1	503688	SCREW	
2	500122	HEAT SHROUD	
3	503607	HEATER DUCT ASSEMBLY	
4	504799	COMBUSTION DUCT	Model LGK33A*-3058
4	61888	COMBUSTION DUCT	Includes limit thermostat
5	51782	SCREW	
6	61886	LIMIT THERMOSTAT	
7	62034	THERMOSTAT	Model LGK33A*-3058
8	500070	BASE	

\* ADD LETTER TO DESIGNATE COLOR. L - Almond W - White

**HEATER DUCT ASSEMBLY**  
(Gas Model Dryers)



D294PZ3A

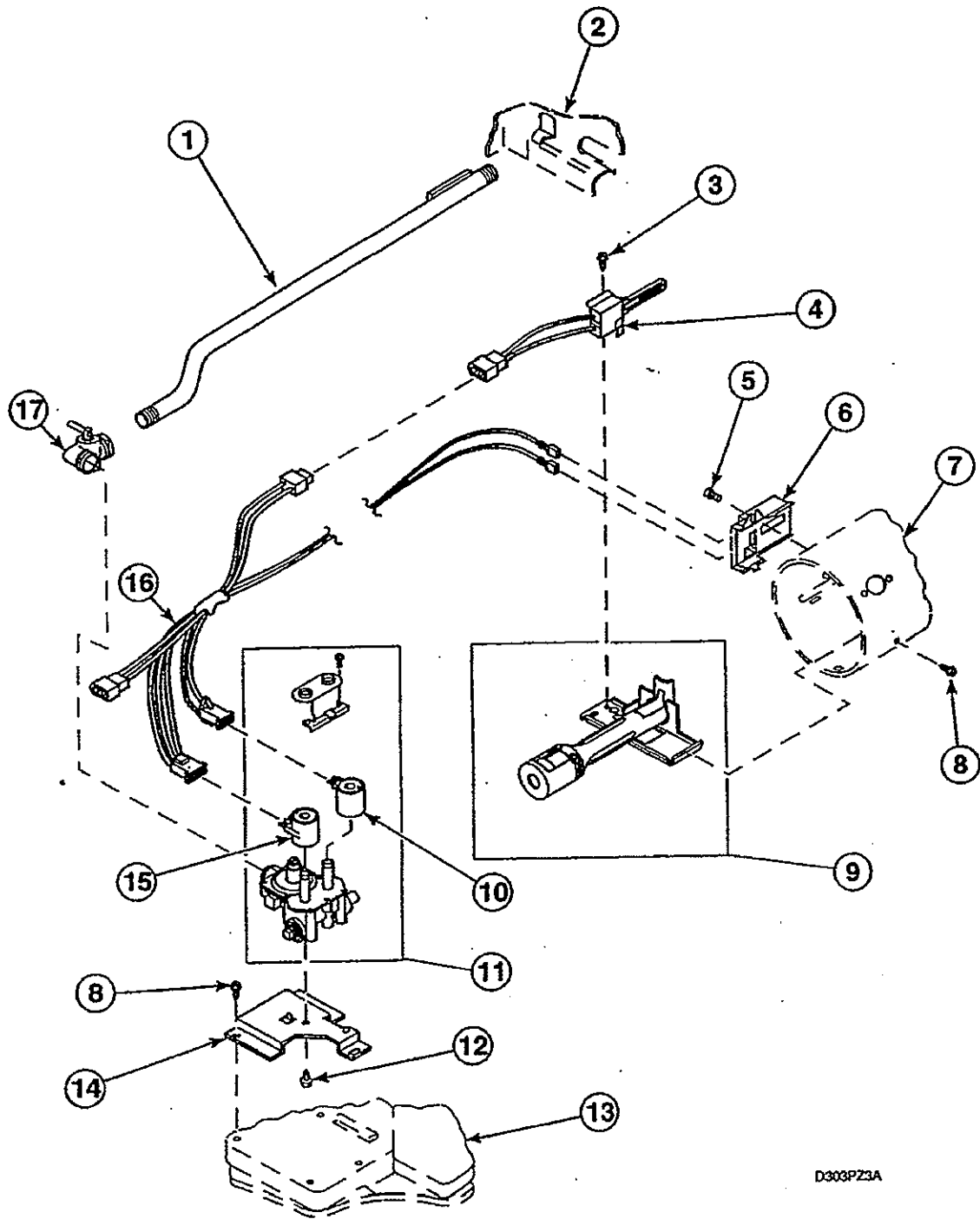
**HEATER DUCT ASSEMBLY REPLACEMENT**

\* ADD LETTER TO DESIGNATE COLOR. L - Almond W - White

REF	PART #	DESCRIPTION	COMMENTS
1	23962	SCREW	
2	500820	OUTLET COVER	Replaceable on the 50179P Heater Box Assembly only
3	503607P	HEATER DUCT ASSEMBLY	Includes outlet cover and screws

\* ADD LETTER TO DESIGNATE COLOR. L - Almond W - White

### HEATER DUCT ASSEMBLY REPLACEMENT



D303PZ3A

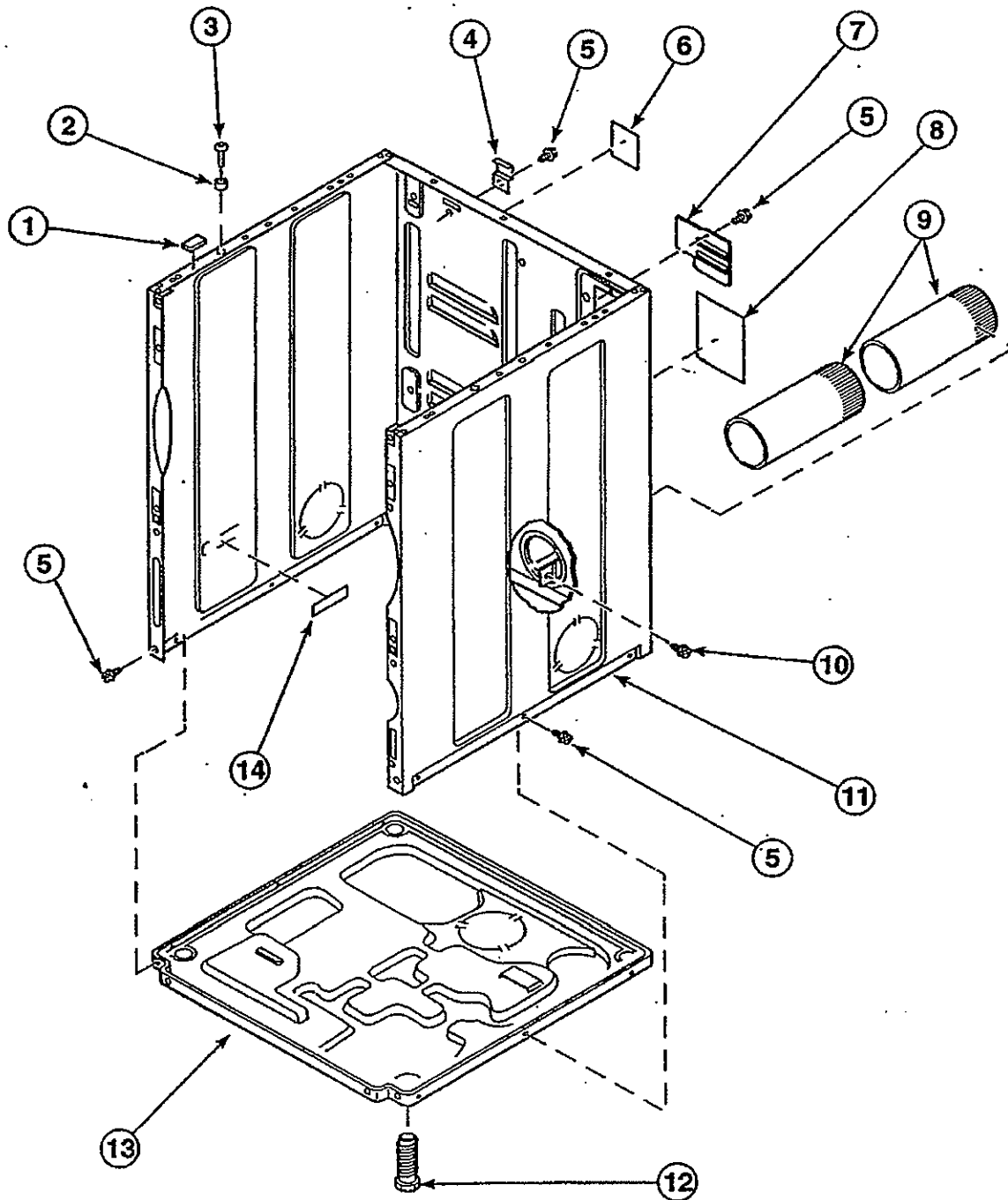
**GAS VALVE, IGNITER AND GAS CONVERSION KITS**  
(Gas Model Dryers)

\* ADD LETTER TO DESIGNATE COLOR. L - Almond W - White

REF	PART #	DESCRIPTION	COMMENTS
	649P3	GAS BURNER CONVERSION KIT	Used to convert dryers from Natural/Mixed to LP Gas
	650P3	GAS BURNER CONVERSION KIT	Used to convert dryers from LP to Natural/Mixed Gas
1	500647	LEAD-IN PIPE ASSEMBLY	
2	500001*P	CABINET	
3	51782	SCREW	
4	503604	IGNITER AND BRACKET ASSEMBLY	
5	23222	SCREW	
6	56231	SENSOR	
7	61888	COMBUSTION DUCT	
8	503688	SCREW	
9	56234	BURNER ASSEMBLY	
10	58804B	SECONDARY COIL	
11	502423	GAS VALVE ASSEMBLY	Models LGK33A*-3058, LGS33A*-3058, LGS33A*B3013, LGS33A*B3080 and LGZ33A*B3013
11	504091	GAS VALVE ASSEMBLY	Models LGS19A*, LGS19A*-1188 and LGS33A
11	59063	GAS VALVE ASSEMBLY	Models LGS19A*-3088, LGS33A*-3000, LGS33A*-3080 and LGZ33A*-3000
12	56124	SCREW	
13	500070	BASE	
14	500821	MOUNTING BRACKET	
15	58804A	HOLDING AND BOOSTER COIL	
16	60641	WIRE HARNESS	

\* ADD LETTER TO DESIGNATE COLOR. L - Almond W - White

**GAS VALVE, IGNITER AND GAS CONVERSION KITS**  
(Gas Model Dryers)



026P2A

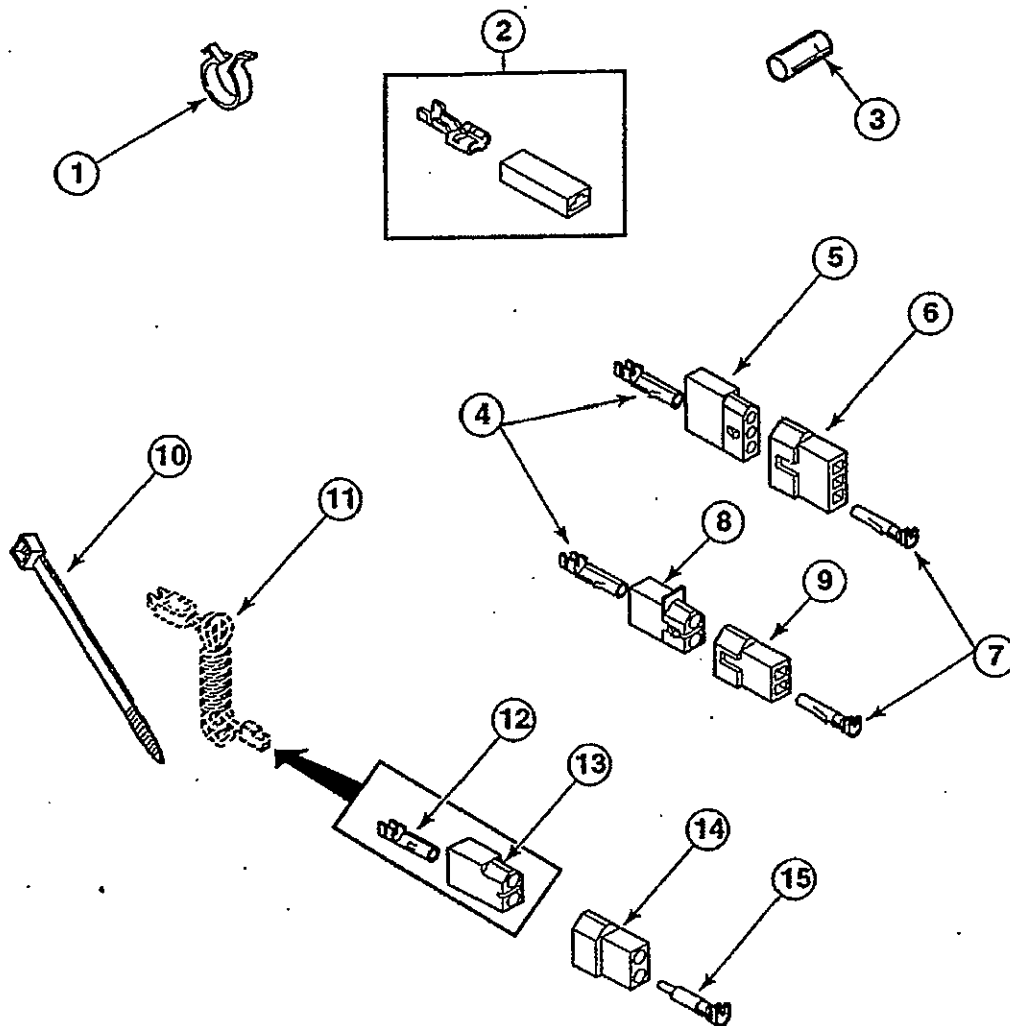
**CABINET, EXHAUST DUCT AND BASE**

\* ADD LETTER TO DESIGNATE COLOR. L - Almond W - White

REF	PART #	DESCRIPTION	COMMENTS
	521P3	FLEXIBLE VENTING KIT	
	528P3	DIRECTIONAL EXHAUST KIT	Used to vent dryer out the sides or bottom
1	56128	BUMPER	
2	56079	LOCATOR	
3	32671	SCREW	
4	500003	TOP HINGE	
5	503661	SCREW	
6	500495	LABEL	Gas Models
7	500114	ACCESS COVER PLATE	
8	501289	LABEL	Electric Models
9	500064	EXHAUST DUCT	Each dryer requires two pieces
10	503688	SCREW	
11	500001*P	CABINET	
12	500101	LEVELING LEG	
13	500070	BASE	
14	61294	LABEL	Electric Models

\* ADD LETTER TO DESIGNATE COLOR. L - Almond W - White

### CABINET, EXHAUST DUCT AND BASE



C325PZ3A

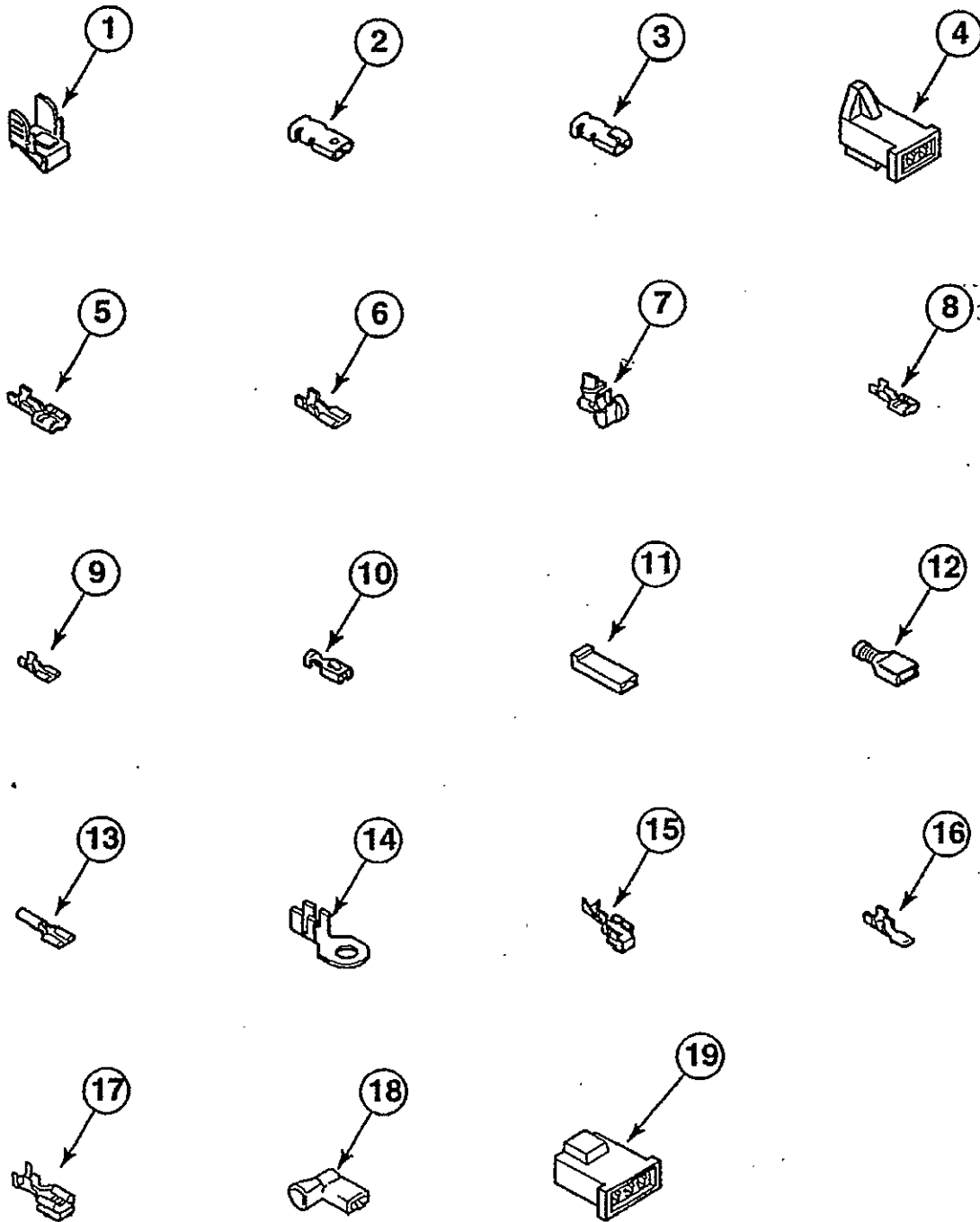
TERMINALS

\* ADD LETTER TO DESIGNATE COLOR. L - Almond W - White

REF	PART #	DESCRIPTION	COMMENTS
1	504034	WIRE CLIP	
2	00237	INSULATED 1/4 INCH SPADE TERMINAL	(1) 12 Gauge Wire or (2) 18 Gauge Wires
3	21365	INSULATOR SLEEVE	
4	00117	FEMALE SOCKET TERMINAL	
5	23039	TERMINAL BLOCK RECEPTACLE	3 Circuit
6	23040	TERMINAL BLOCK PLUG	3 Circuit
7	00116	MALE PIN TERMINAL	
8	56451	TERMINAL BLOCK RECEPTACLE	2 Circuit
9	56448	TERMINAL BLOCK PLUG	2 Circuit
10	36466	WIRE TIE	
11	56222	POWER CORD	Models LGS19A*, LGS19A*-1189 and LGS33A*
12	00130	FEMALE SOCKET TERMINAL	
13	56265	TERMINAL BLOCK RECEPTACLE	2 Circuit
14	56266	TERMINAL BLOCK PLUG	2 Circuit
15	00127	MALE PIN TERMINAL	

\* ADD LETTER TO DESIGNATE COLOR. L - Almond W - White

#### TERMINALS



D326PZ3A

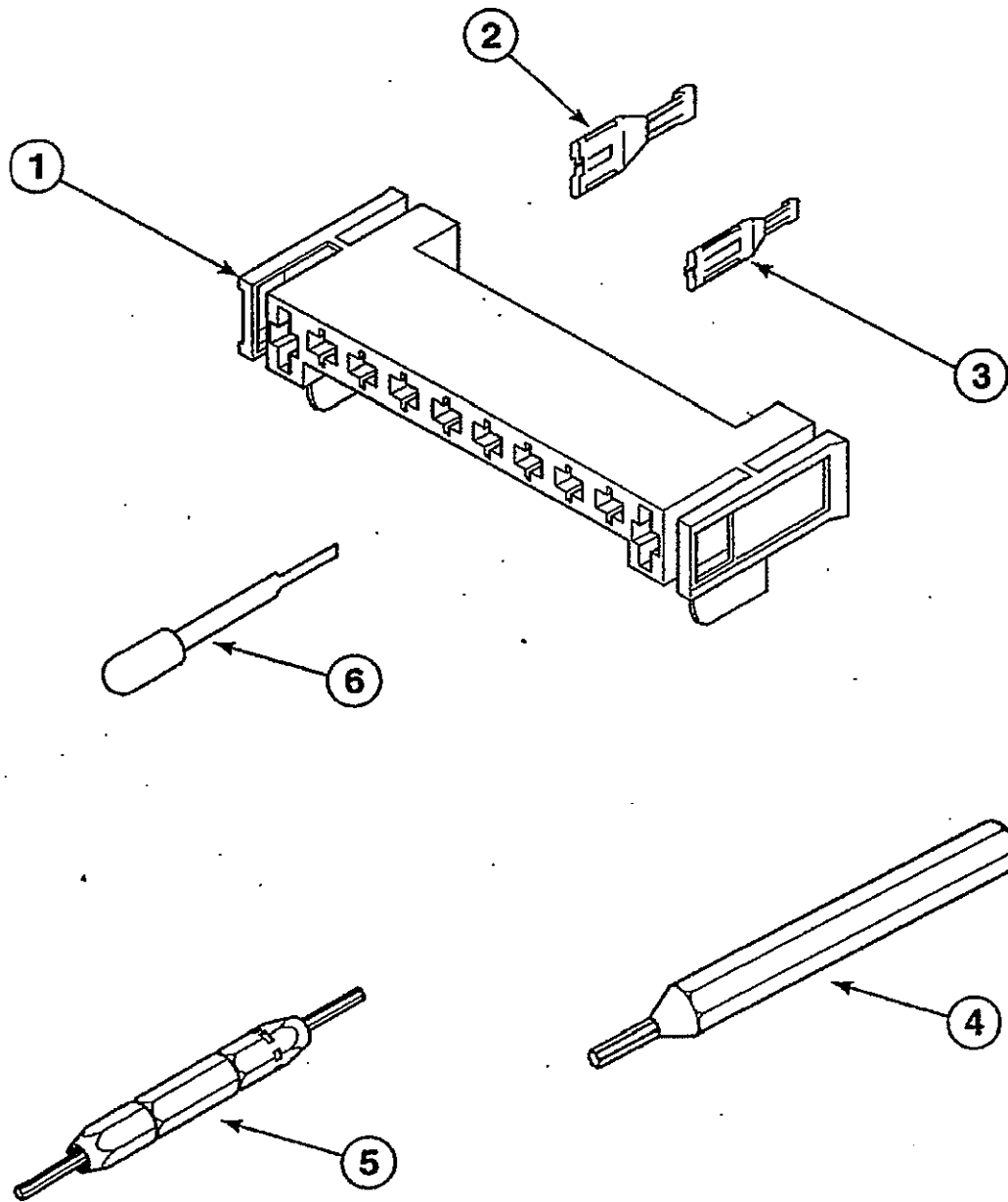
TERMINALS

\* ADD LETTER TO DESIGNATE COLOR. L - Almond W - White

REF	PART #	DESCRIPTION	COMMENTS
1	00161	GROUND CLIP	
2	00189	SPADE TERMINAL	
3	00190	TERMINAL	Receptacle connector
4	58799	TERMINAL BLOCK	2 Circuit connector
5	00119	SPADE TERMINAL	1/4 Inch - (1) 18 Gauge Wire
5	00121	SPADE TERMINAL	1/4 Inch - (2) 18 Gauge Wires or (1) 12 Gauge Wire
5	00245	SPADE TERMINAL	1/4 Inch - (1) 22 Gauge Wire
6	00124	SPADE TERMINAL	3/16 Inch - (1) 18 Gauge Wire - .020 Tab
6	00156	SPADE TERMINAL	3/16 Inch - Thermostat Wire - .032 Tab
6	00209	SPADE TERMINAL	3/16 Inch - (2) 18 Gauge Wires - .020 Tab
7	21903	STRAIN RELIEF	
8	00346	TERMINAL	
9	00347	TERMINAL	
10	00115	LOCK IN SPADE TERMINAL	1/4 Inch - (1) 18 Gauge Wire
10	00122	LOCK IN SPADE TERMINAL	1/4 Inch - (2) 18 Gauge Wires or (1) 12 Gauge Wire
11	90789	CONNECTOR	
12	00163	INSULATED SPADE TERMINAL	1/4 Inch
12	00165	INSULATED SPADE TERMINAL	3/16 Inch
13	00214	BARREL INSULATED SPADE TERMINAL	1/4 Inch - 18 Gauge Wire
13	00215	BARREL INSULATED SPADE TERMINAL	1/4 Inch - 12 Gauge Wire
14	00110	RING TERMINAL #10	(1) 18 Gauge Wire
14	00111	RING TERMINAL #10	(2) 18 Gauge Wires or (1) 12 Gauge Wire
15	00114	SPADE TERMINAL	1/4 Inch - Double connector
16	00138	MALE TAB TERMINAL	1/4 Inch - (1) 18 Gauge Wire
16	00139	MALE TAB TERMINAL	1/4 Inch - (2) 18 Gauge Wires or (1) 12 Gauge Wire
17	00344	TERMINAL	
18	00345	TERMINAL	
19	58800	TERMINAL BLOCK	3 Circuit connector

\* ADD LETTER TO DESIGNATE COLOR. L - Almond W - White

### TERMINALS



D301PZ3A

**MOTOR CONNECTION BLOCK, TERMINAL EXTRACTOR TOOLS**

\* ADD LETTER TO DESIGNATE COLOR. L - Almond W - White

REF	PART #	DESCRIPTION	COMMENTS
1	500338	MOTOR CONNECTION BLOCK	Molex - 10 Circuit
2	00255	SPADE TERMINAL	1/4 Inch - For (1) 12 Gauge Wire
2	00256	SPADE TERMINAL	1/4 Inch - For (1) or (2) 18 Gauge Wires
3	00188	MOLEX TERMINAL	For one or two wire application
4	128P4	TERMINAL EXTRACTOR TOOL	For use on gas dryer terminals
5	190P4	TERMINAL EXTRACTOR TOOL	For use on electric dryer terminals
6	283P4	TERMINAL EXTRACTOR TOOL	For use on Molex Connectors

\* ADD LETTER TO DESIGNATE COLOR. L - Almond W - White

**MOTOR CONNECTION BLOCK, TERMINAL EXTRACTOR TOOLS**