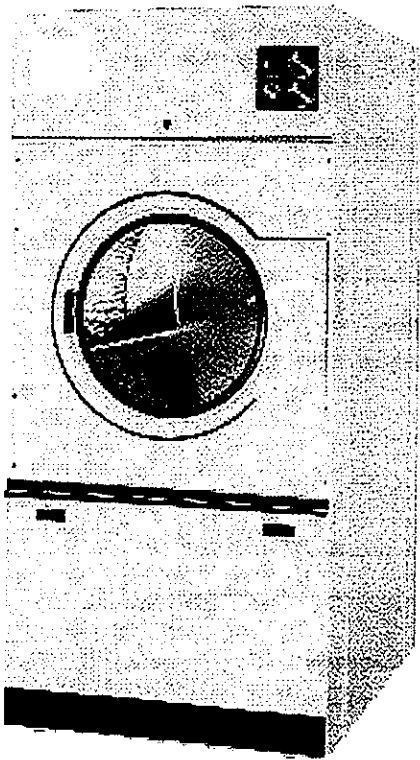




IPSO - USA

75 lb. DR LAUNDRY DRYER



**Gas: Natural and LP
Steam**

Electric

Technical specifications

Installation instructions

Operating instructions

Maintenance

DR75.1

IPSO - USA

3101 South Haven Highway 77, Suite A

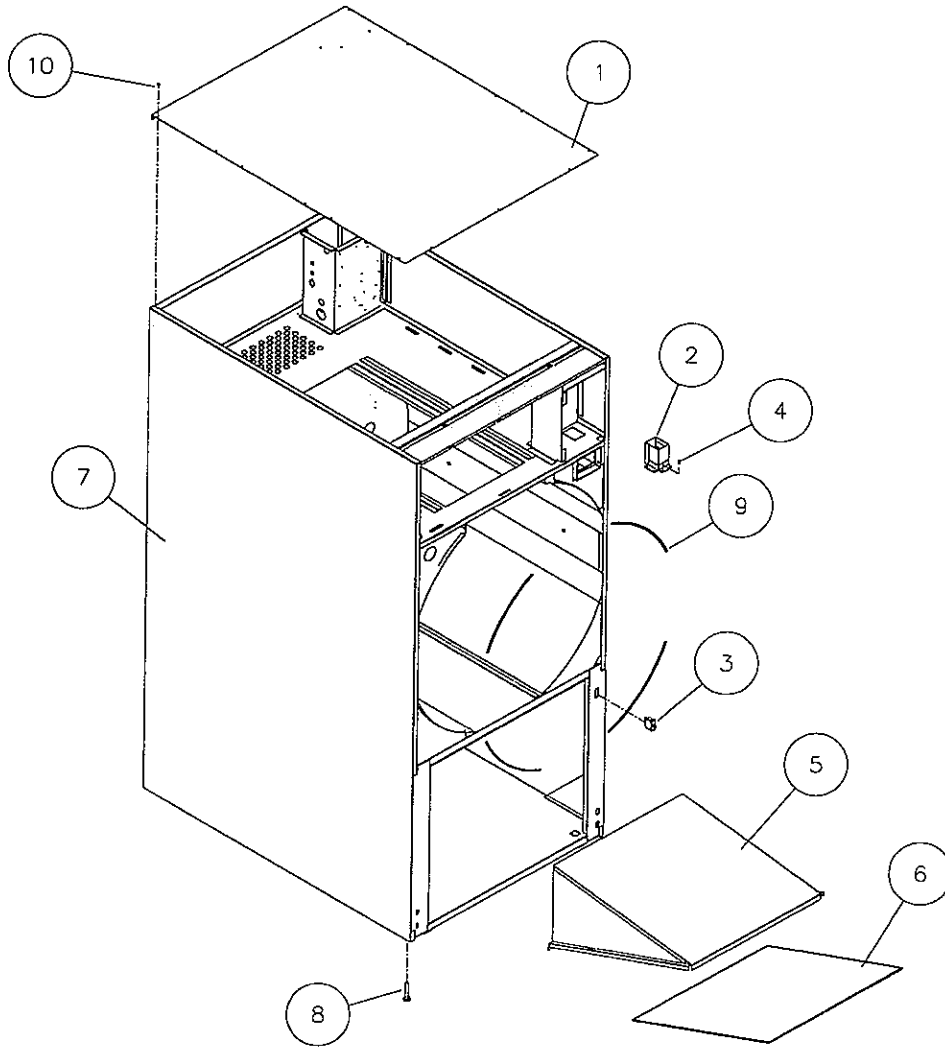
Panama City, FL, 32405

Phone: (850)271-8486

THIS MANUAL MUST BE GIVEN TO THE EQUIPMENT OWNER

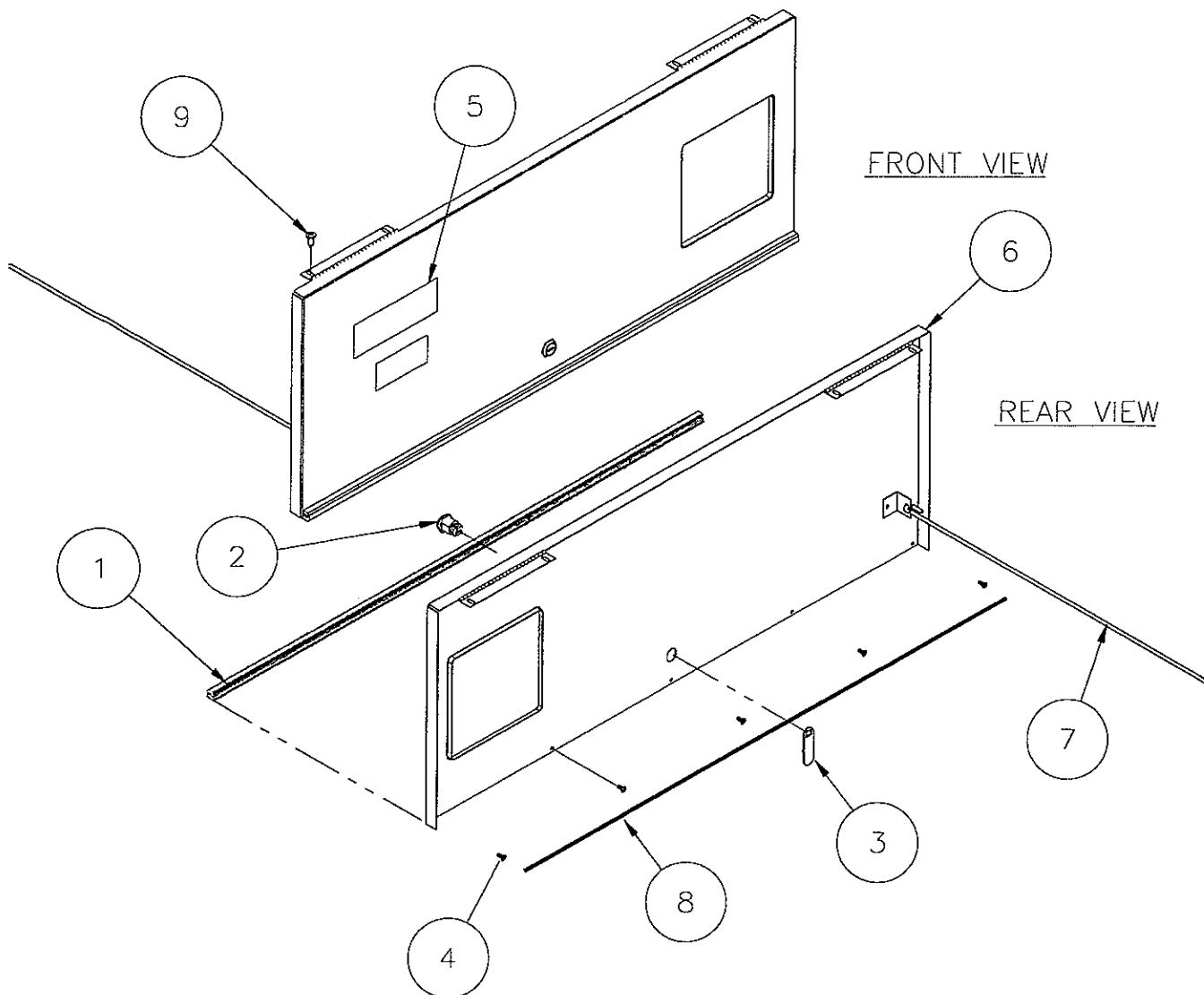
MAN DR2075 06/00

FRONT VIEW



Ref. No.	Part No.	Description
1	TU14849	Top
2	CSA-01435-0	Coin chute welded assembly
3	EA-11621-0	Switch door
4	SC504	Pop rivet
5	TU10290	Lint trap welded assembly
6	TU10362	Lint screen
	TU5225	Lint screen frame
7	TU14819	Jacket (white)
8	TU3211	Leveling bolt
9	TU5876	Gasket set
10	TU7733	Screw self drilling 8-18 X 1/2"

ACCESS DOOR ASSEMBLY

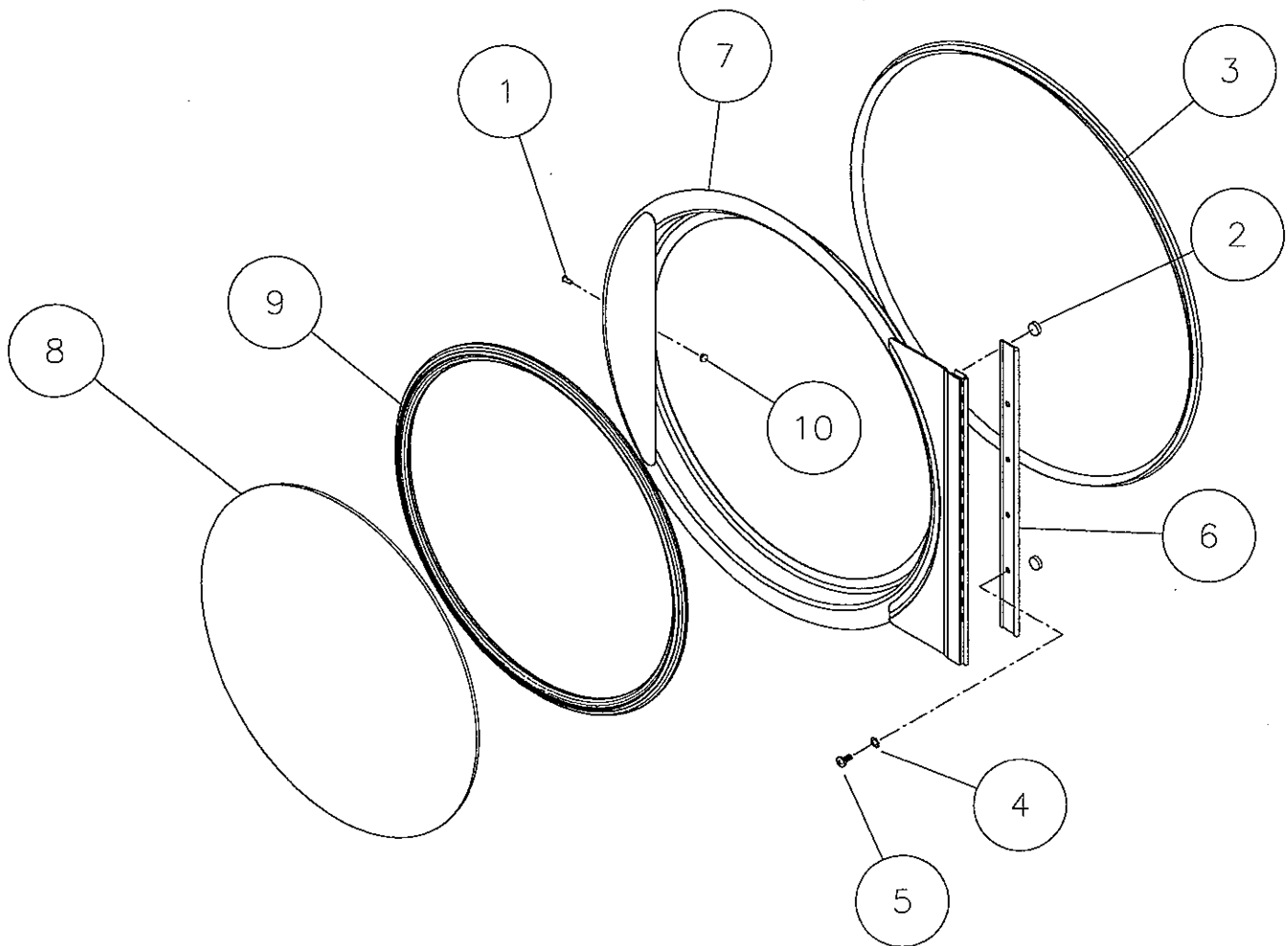


CSA-01510WH Complete control door assy.

Note: Door rod assy. is not part of above complete assy.

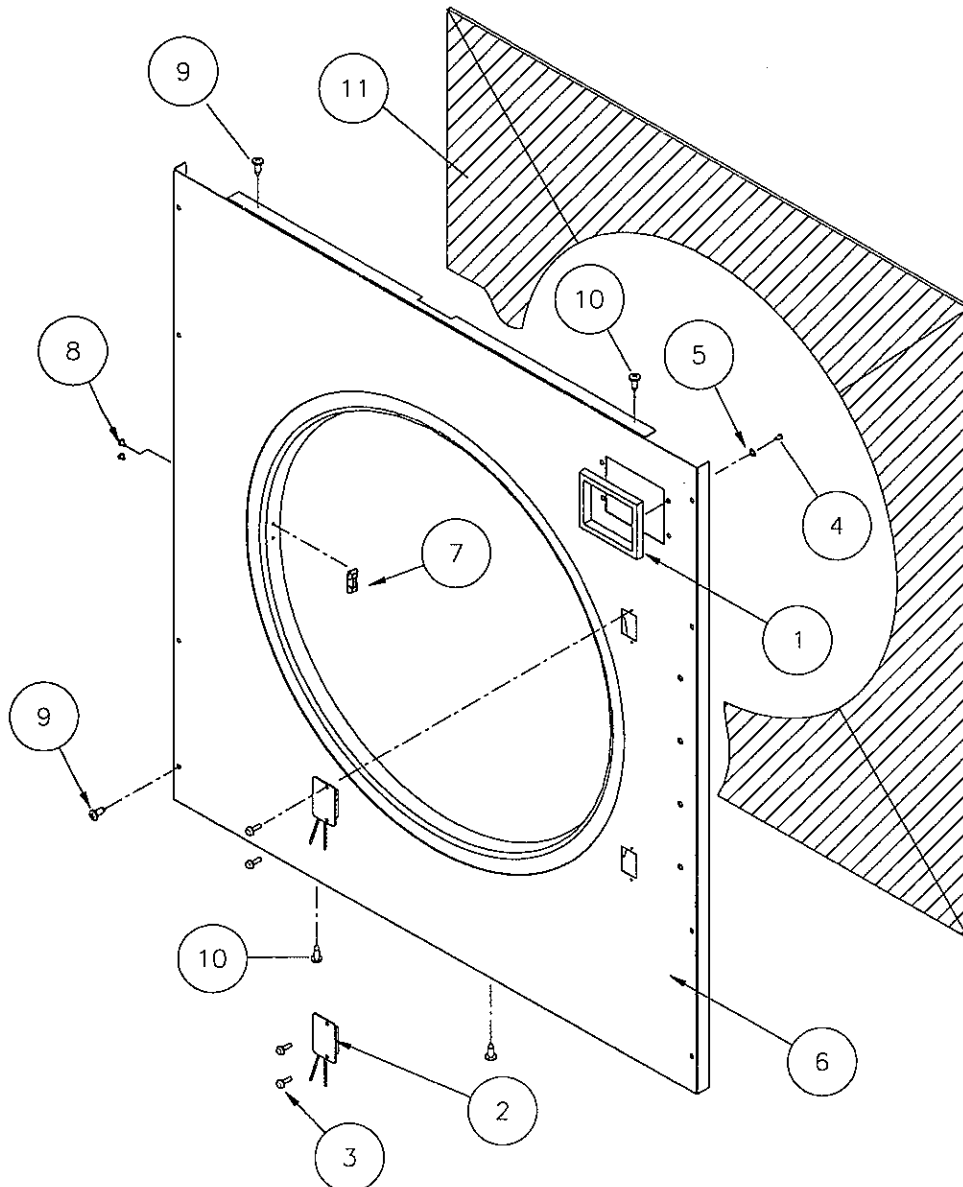
Ref. No.	Part No.	Description
1	CA-00858-0	Trim - control door
2	LA-00121-0	Lock - control door
3	LA-11359-0	Lock - cam
4	SB-00951-0	Screw -phillips #8 x 7/16 flat hd.
5	IPS104	Logo
6	CSA-01511WH	Panel welded assembly
7	CA-10085-0	Support arm
8	SB-00971-0	Tinnerman push-on fastener

DOOR ASSEMBLY



Ref. No.	Part No.	Description
	TU15110	Complete door assy
1	CA-13218	Catch pin
2	MD-00337-0	Magnet - read switch
3	MD-00360-0	Gasket - door rim gasket
4	SB-00852-0	Washer 1/4" external starlucK
5	SB-00921-0	Screw 1/4"-20 round head
6	TU15073	Door hinge spacer
7	TU15076	Door rim w/a
8	TU15107	Door glass
9	TU15108	Door glass gasket
10	TU4840	#10-32 Crown nut

FRONT PANEL ASSEMBLY - COIN

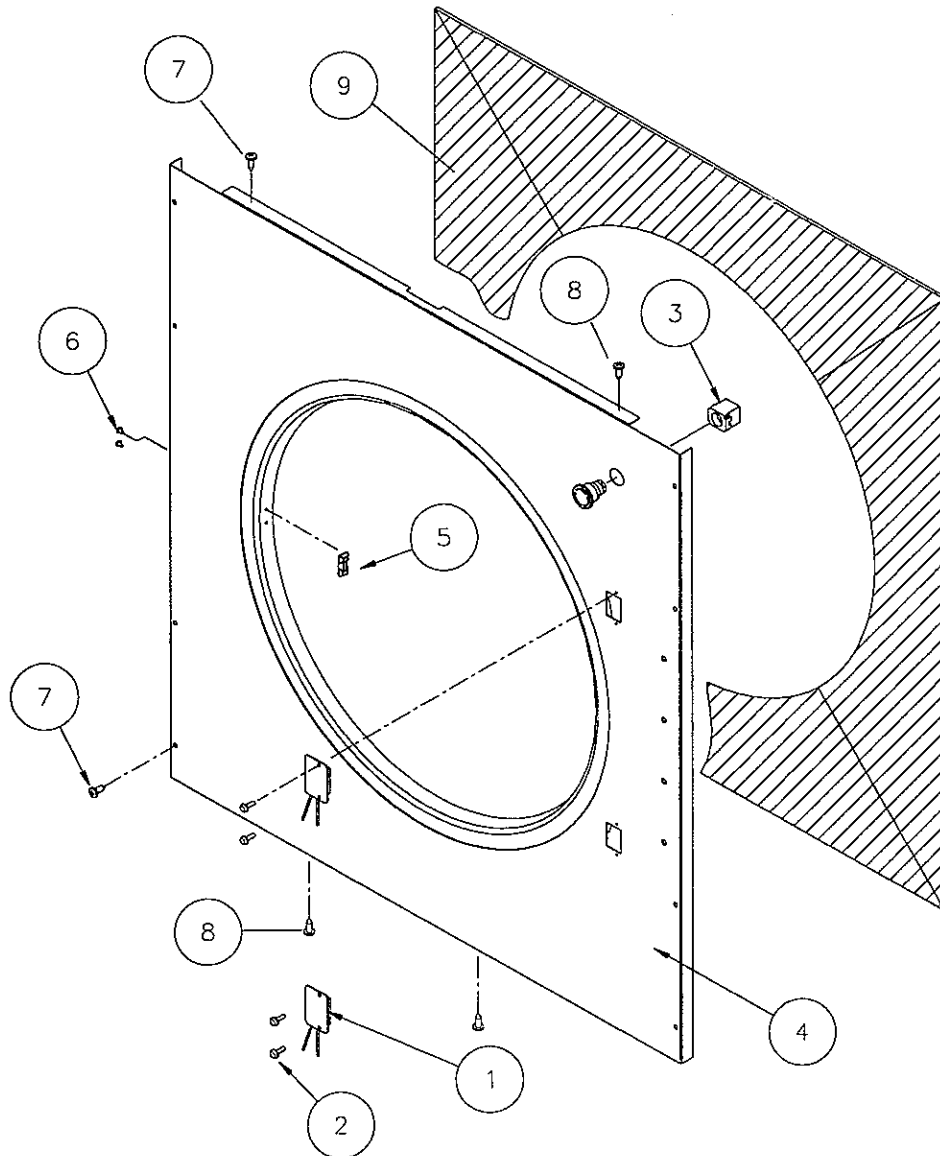


Ref. No.	Part No.	Description
-------------	----------	-------------

TU14733 - Front panel assembly complete

1	CA-00699-0	Bezel - Coin box
2	ESA-00862-0	Reed switch
3	SB-00975-0	#6-32 Screw
4	SB-00924-0	4-40 x 3/8 Screw
5	SB-00938-0	#4 Ext. tooth lockwasher
6	CSA-01524WH	Front panel W/A - Coin
7	TU2876	Door catch
8	TU3213	Pop rivet
9	SB-00915-0	#10-16 Self drilling screw
10	SB-00836-0	#10 Pancake screw
11	TU14991	Insulation

FRONT PANEL ASSEMBLY - OPL



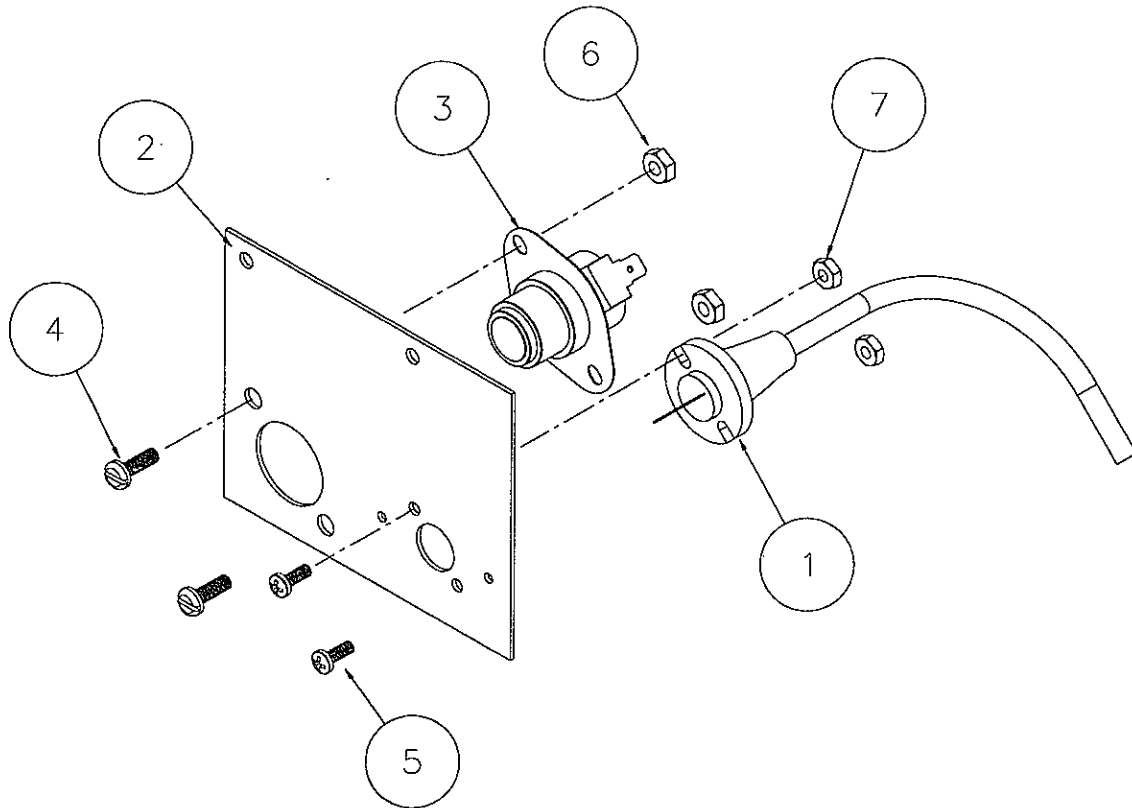
Ref.

No. Part No. Description

TU14538WHT - Front panel assembly complete

1	ESA-00862-0	Reed switch
2	SB-00975-0	#6-32 Screw
3	TU14435	Emergency stop
4	TU14532WHT	Front panel W/A - OPL
5	TU2876	Door catch
6	TU3213	Pop rivet
7	SB-00915-0	Screw, #10-16 self drilling
8	SB-00836-0	#10 Pancake screw
9	TU14991	Insulation

**THERMOSTAT ASSEMBLY
FOR DX3 COIN & OPL**



Ref.

No.

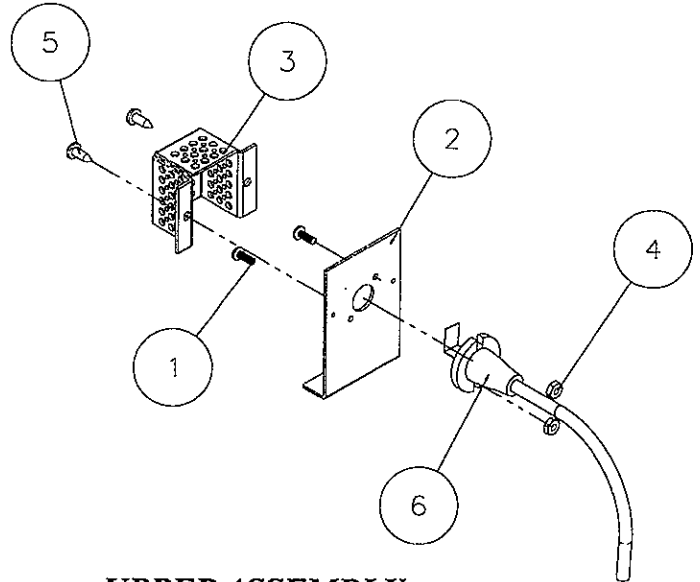
Part No.

Description

ESA-00940-0 - Complete Assmebly

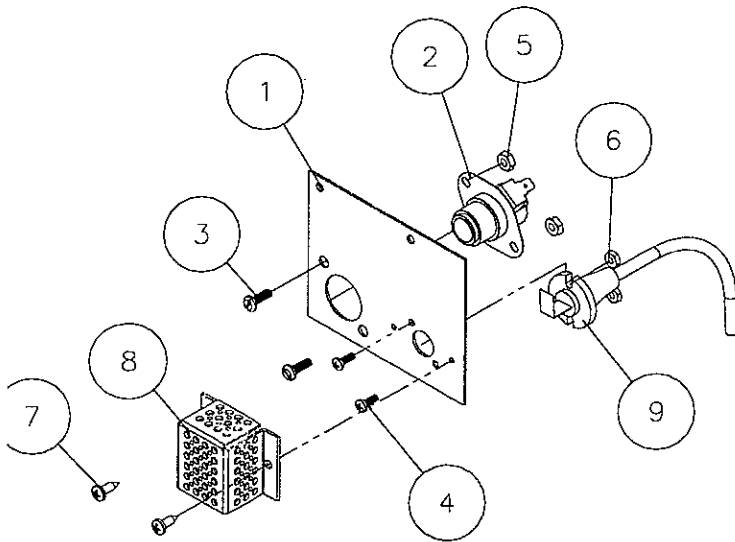
1	254/00009/00	Temp. Sensor
2	CA-13067	Mtg. bracket
3	EA-00594	Switch
4	SB-00828	#8-32x1/2 Screw
5	SB-00952	#6-32x3/8 Screw
6	TU3266	#8-32 Hex nut
7	TU3400	#6-32 Hex nut

PROHC SENSOR ASSEMBLY - UPPER and LOWER



UPPER ASSEMBLY

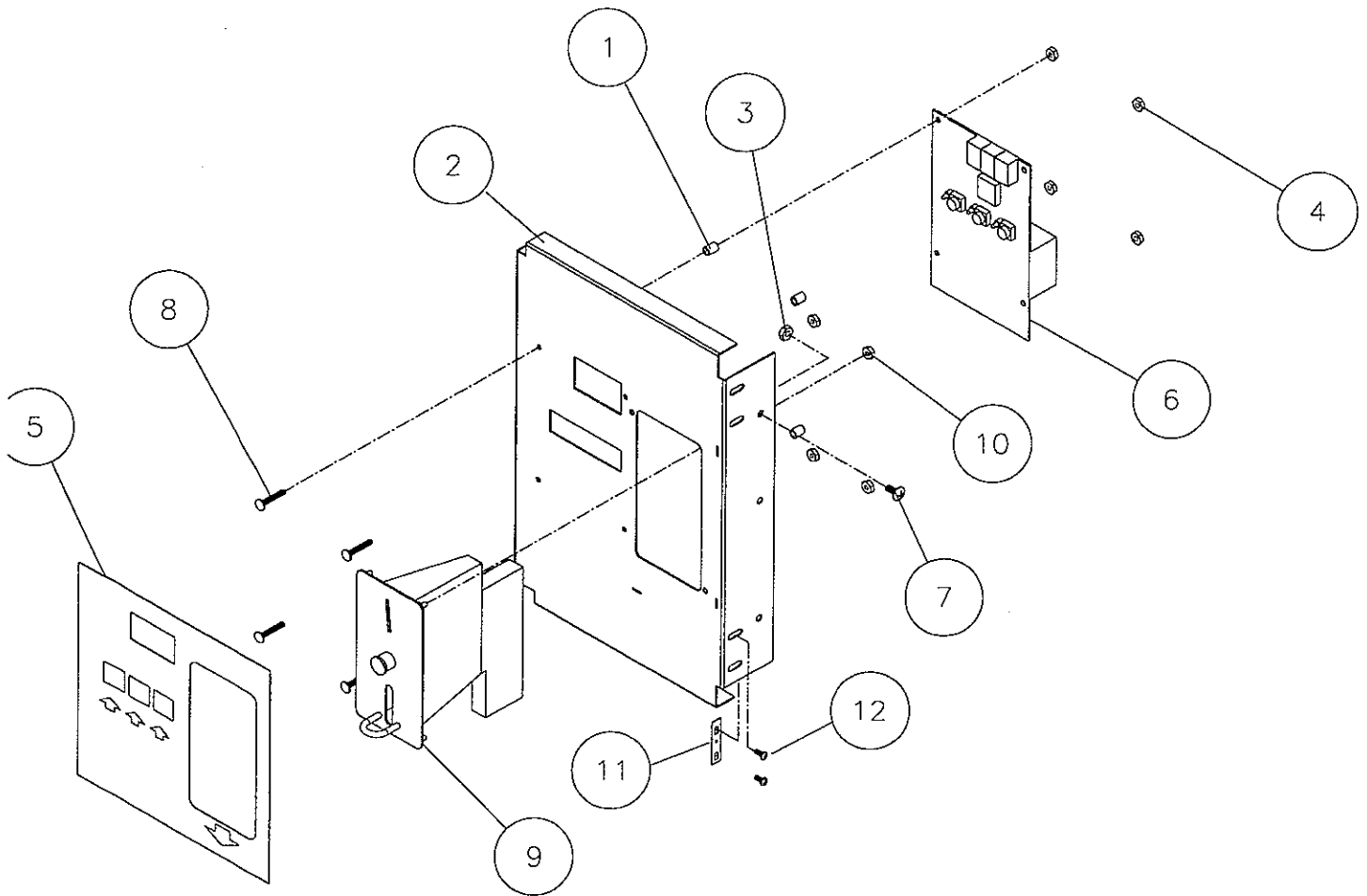
Ref. No.	Part No.	Description
	TU14724	PROHC Sensor assembly (upper)
1	SB-00952-0	Screw, #6-32x 3/8" long
2	TU14693	Mounting plate upper probe
3	TU14694	Cover plate, probe
4	TU3400	Nut, #6-32
5	TU7733	Screw, self drill #8-18x 1/2" long
6	254/00060/00	Humidity sensor



LOWER ASSEMBLY

Ref. No.	Part No.	Description
	TU14723	PROHC Sensor assembly (lower)
1	CA-13067-0	Bracket (sensor)
2	EA-00594-0	Switch, 220 degrees
3	SB-00828-0	Screw, machine #8-32x 1/2" long
4	SB-00952-0	Screw, #6-32x 3/8" long
5	TU3266	Nut, hex brass #8-32
6	TU3400	Nut, hex brass #6-32
7	TU7733	Screw, self drill #8-18x 1/2" long
8	TU14694	Cover, plate
9	254/00060/00	Humidity sensor

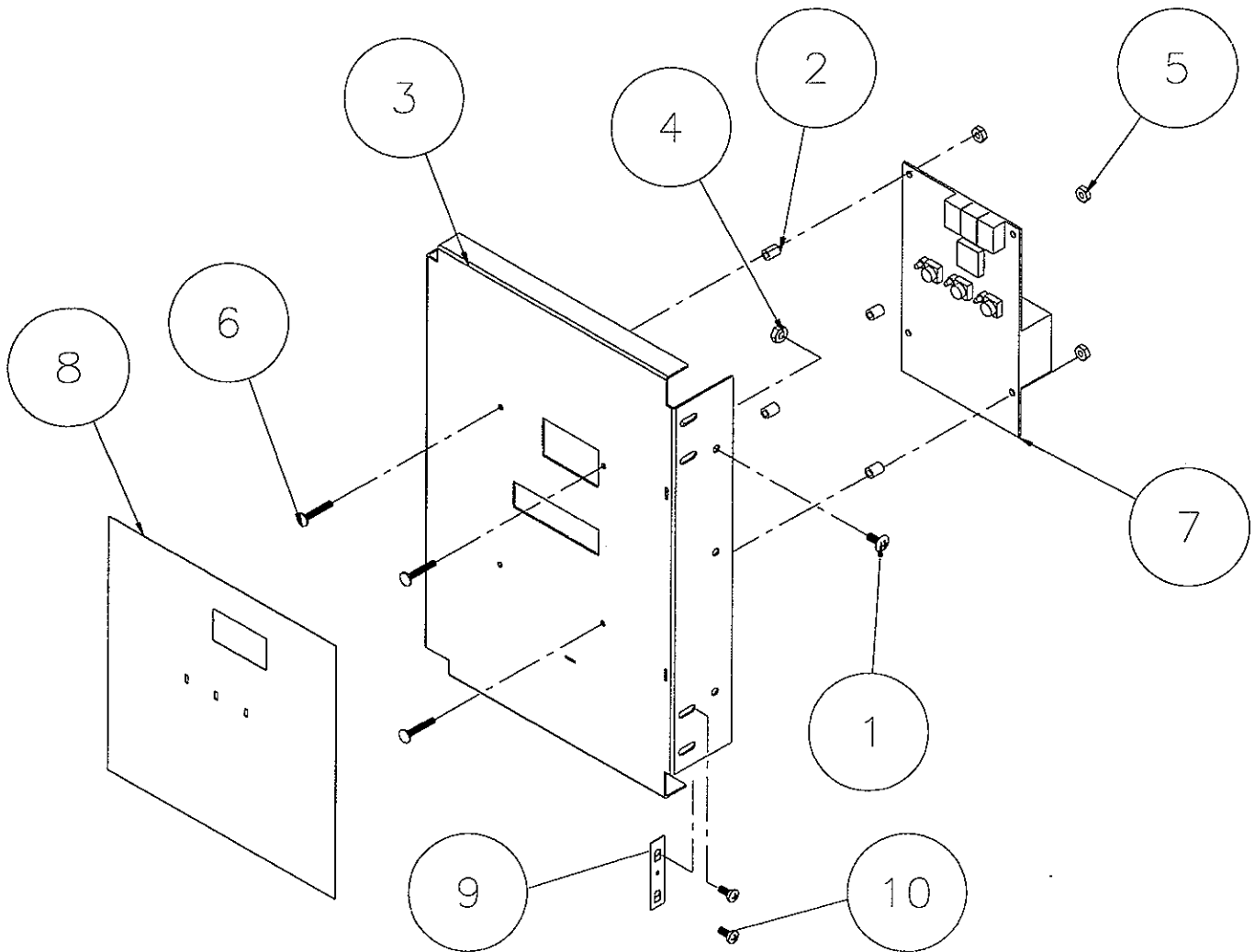
DX3 COIN CONTROL PANEL ASSEMBLY



Ref.

No.	Part No.	Description
TU15262 - Complete Assembly		
1	TU14701	Nylon spacer
2	TU15261	Control panel
3	TU3266	Nut, hex. brass #8-32
4	TU3400	#6-32 Hex nut
5	254/00033/00	Overlay
6	254/00066/00	Control board
7	M262	#8-32 Screw
8	TU12253	#6-32 Stud
9	TUD0336	Coin drop
10	TUD0367	#5-40 Nut
11	TU1771	Tinnerman nut
12	TU9524	#6 S.M. Screw

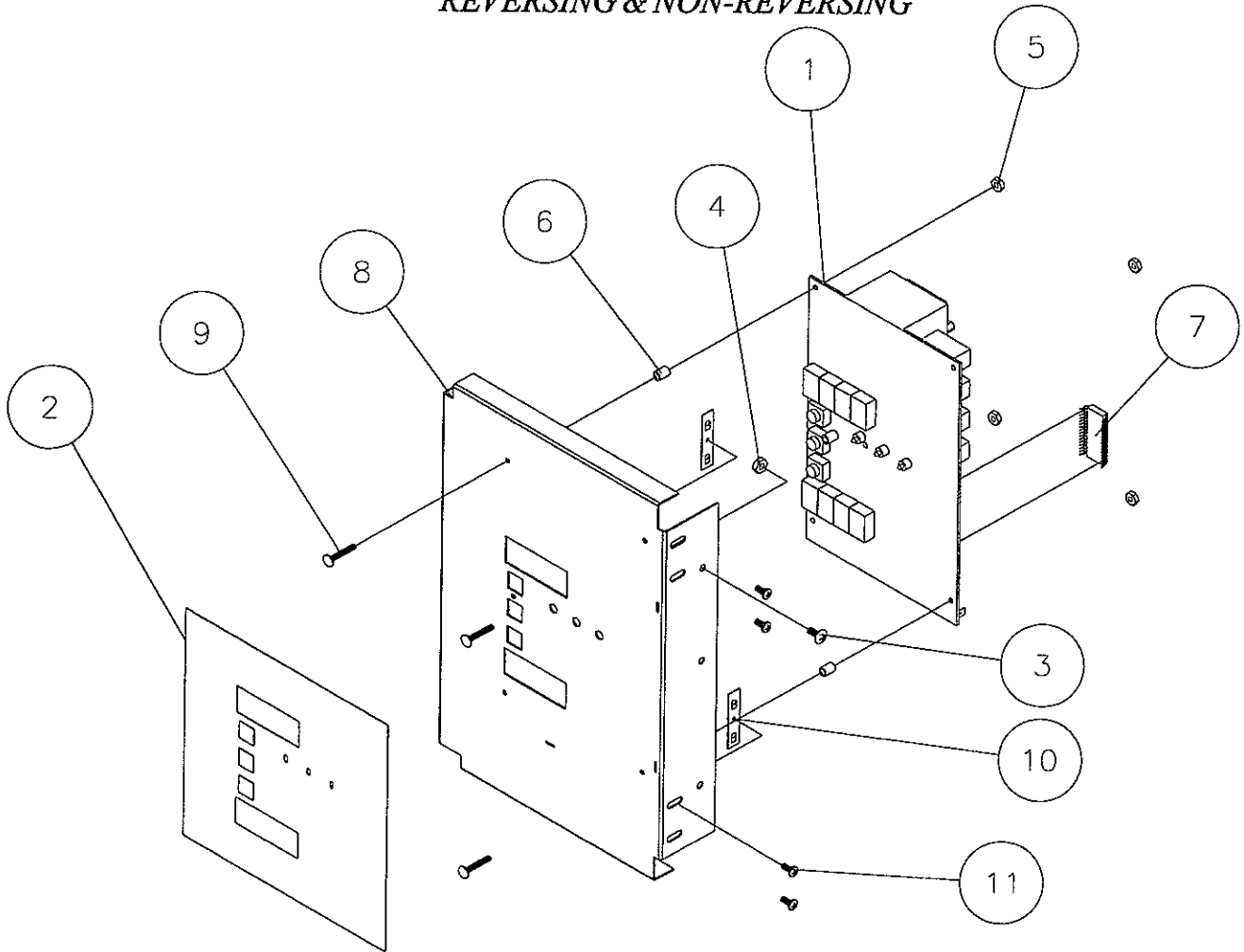
DX3 CONTROL PANEL ASSEMBLY



Ref.	Part No.	Description
TU15260 - Complete Assembly		
1	M262	#8-32 Screw
2	TU14701	Nylon spacer
3	TU15259	Control panel
4	TU3266	Nut, hex. brass #8-32
5	TU3400	#6-32 Hex nut
6	TU12253	#6-32 Stud
7	254/00066/00	Control board
8	254/00069/00	Overlay
9	TU1771	Tinnerman nut
10	TU9524	#6 S.M. Screw

PRO CONTROL PANEL ASSEMBLY

REVERSING & NON-REVERSING

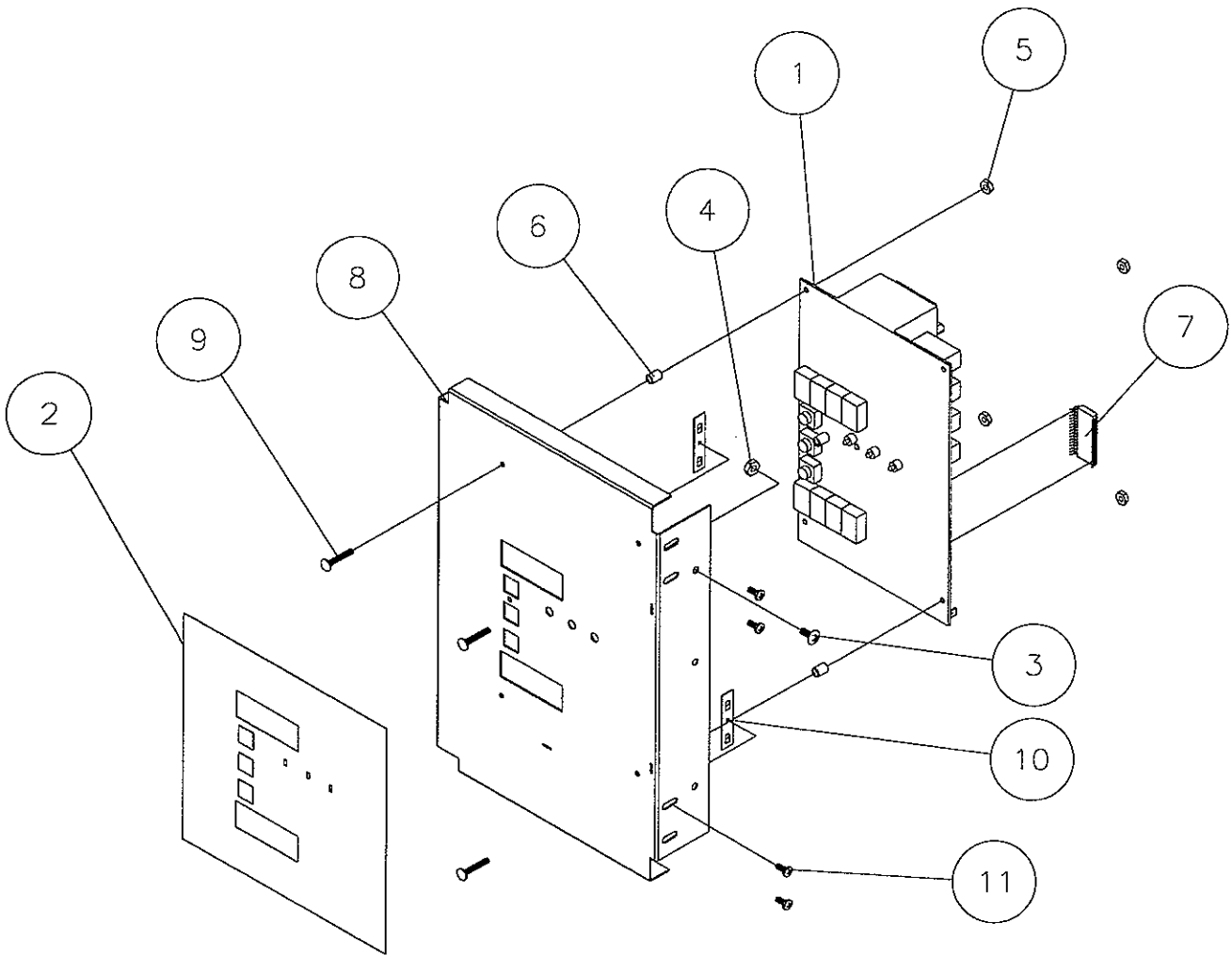


Ref. No.	Part No.	Description
----------	----------	-------------

TU15314 - Reversing/Non Reversing Complete Assembly

1	254/00054/00	PCboard, professional
2	254/00039/00	Overlay
3	M262	Screw, machine truss #8-32x 3/8" long
4	TU3266	Nut, hex brass #8-32
5	TU3400	Nut, hex #6-32
6	TU14701	Spacer nylon 1/4" O.D. x 5/16" long
7	TU14452	Chip, EPROM, PROHC
8	TU15257	Wiring box welded assembly
9	TU12253	Stud, self clinch
10	TU1771	Nut, speed twin type
11	TU9524	Screw, #6 x 5/16

PROHC CONTROL PANEL ASSEMBLY

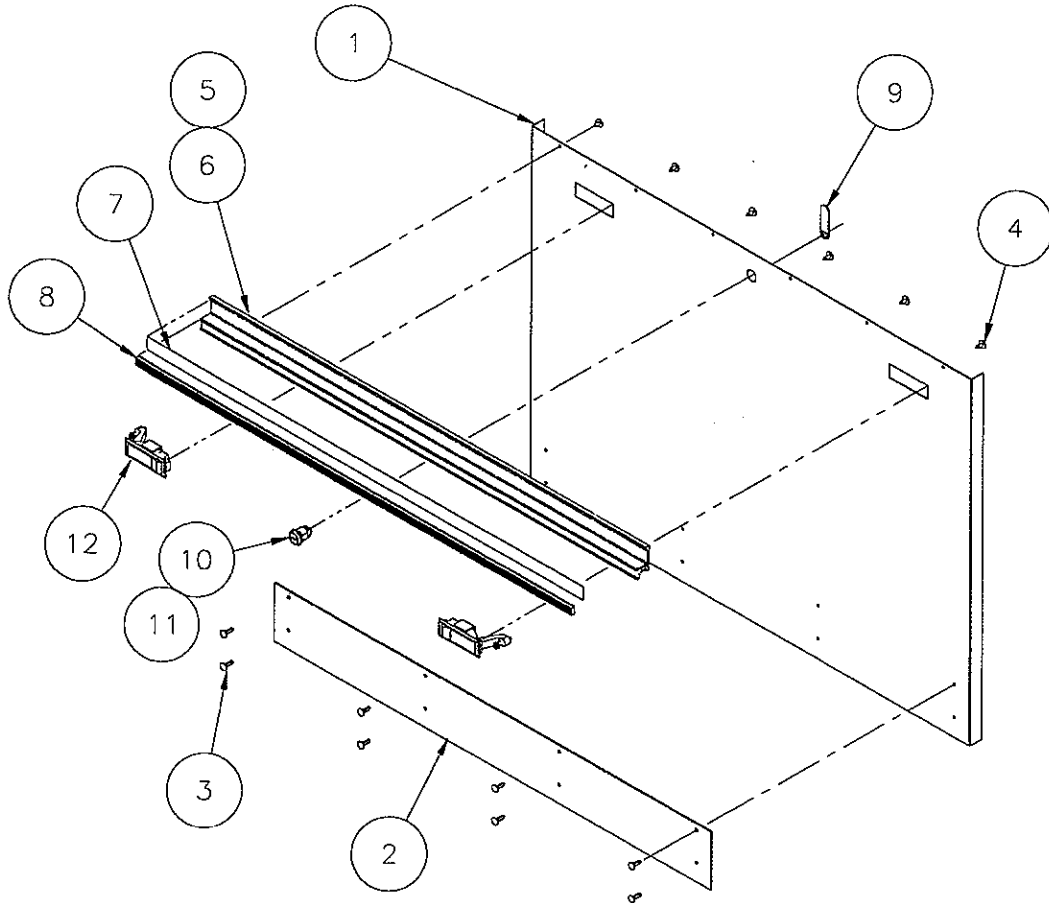


Ref. No.	Part No.	Description
----------	----------	-------------

TU15298 - Reversing/Non Reversing Complete Assembly

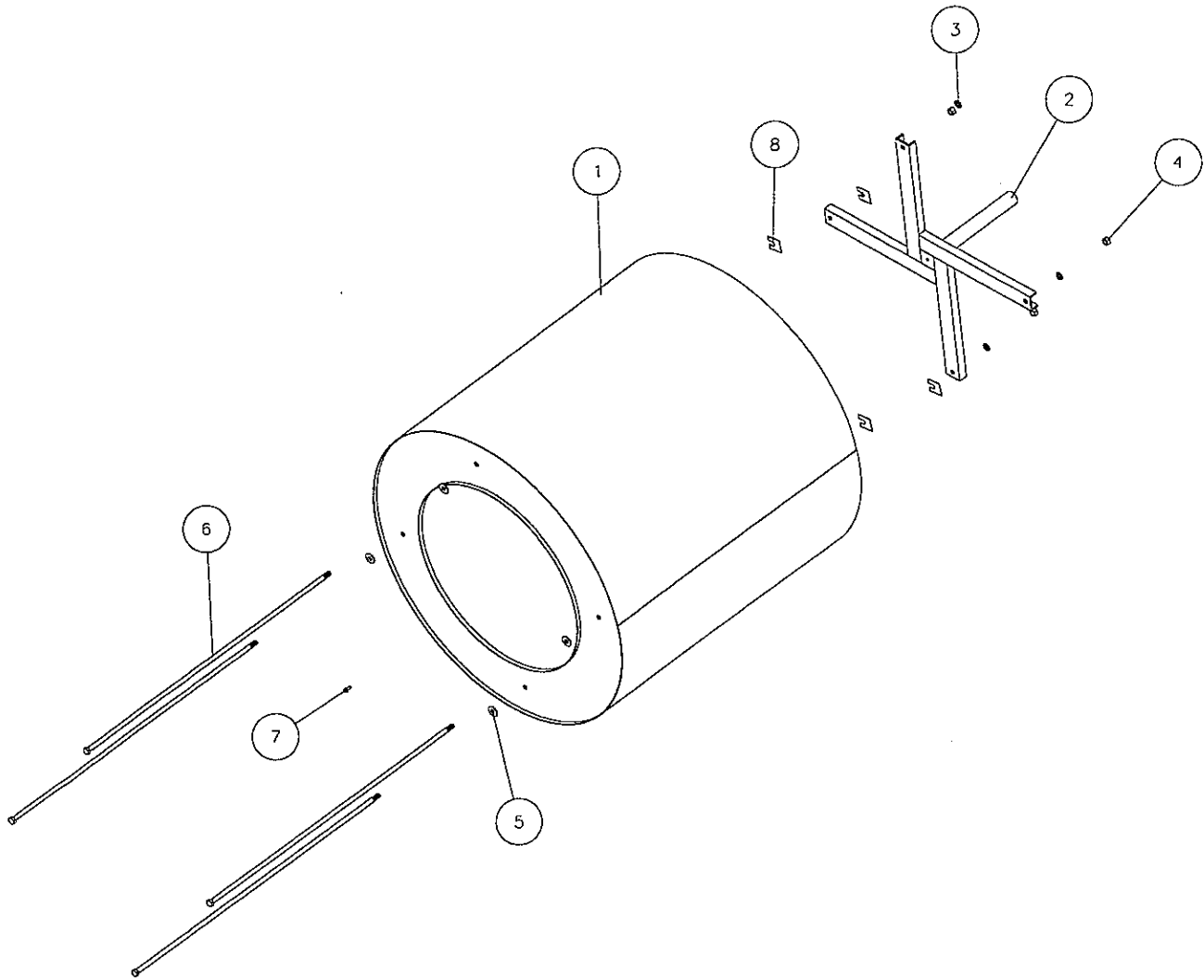
1	254/00054/00	PCboard, professional
2	254/00018/00	Label, PRO moisture controller
3	M262	Screw, machine truss #8-32x 3/8" long
4	TU3266	Nut, hex brass #8-32
5	TU3400	Nut, hex #6-32
6	TU14701	Spacer nylon 1/4" O.D. x 5/16" long
7	TU14452	Chip, EPROM, PROHC
8	TU15257	Wiring box welded assembly
9	TU12253	Stud, self clinch
10	TU1771	Nut, speed twin type
11	TU9524	Screw, #6 x 5/16

LINT DOOR ASSEMBLY



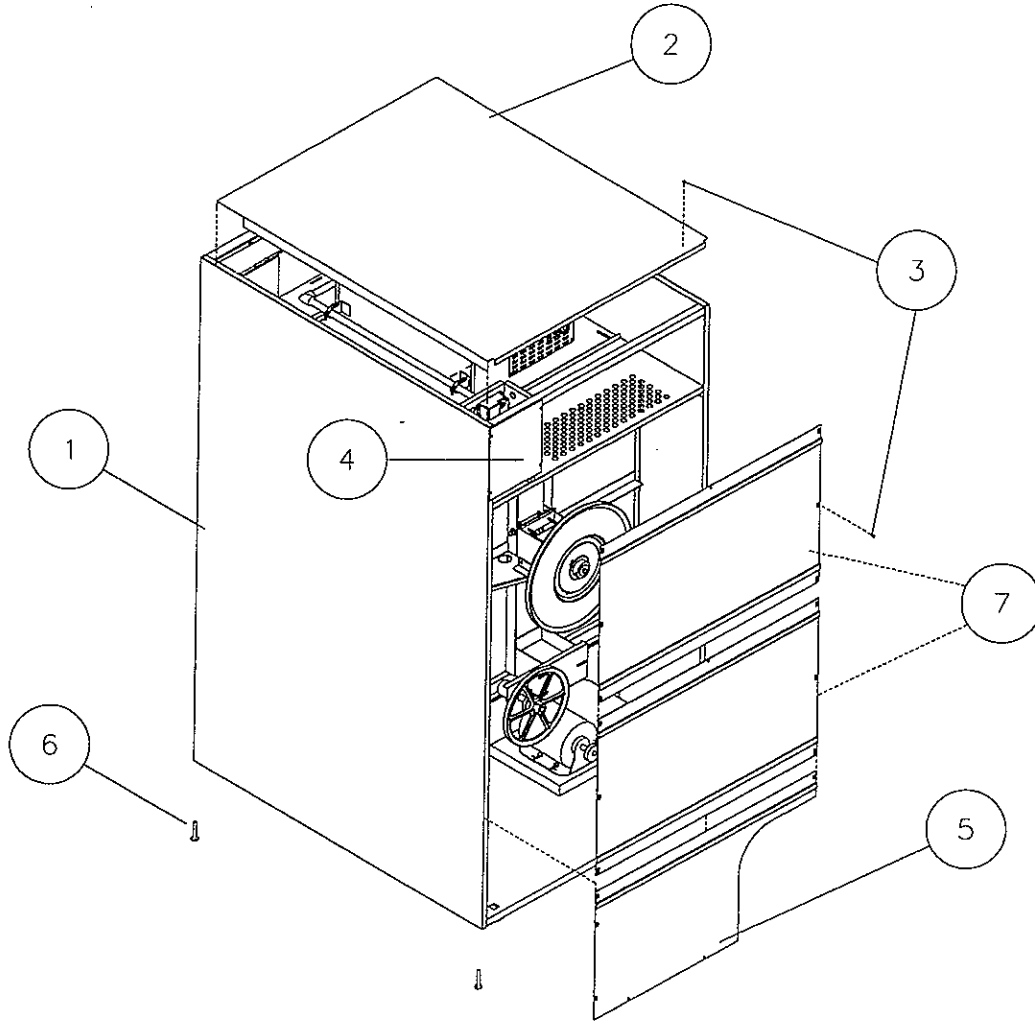
Ref. No.	Part No.	Description
	CSA-01515WH	Complete Assembly - HD75 OPL
	CSA-01594WH	Complete Assembly - HD75 Coin
1	CSA-01516WH	Lint door w/latch holes (white) OPL
1	CSA-01593WH	Lint door w/lock holes (white) Coin
2	CSA-00839-0	Kickplate
3	SB-00949-0	Fastener plastic kickplate (8 each)
4	SB-00915-0	Screw self drilling #10-16 x 5/8 (6 each)
5	TU2853	Gasket
6	CA-00697-0	Handle lint door
7	CA-00841-0	Label (not part of assembly.)
8	CA-00655-0	Trim-rubrail-specify 39" long
9	CA-11359-0	Cam lock
10	CA-00121-0	Lock
11	CA-00119-0	Key (not shown)
12	CA-00123-0	Latch - trigger (OPL models only)

BASKET & SPIDER ASSEMBLY



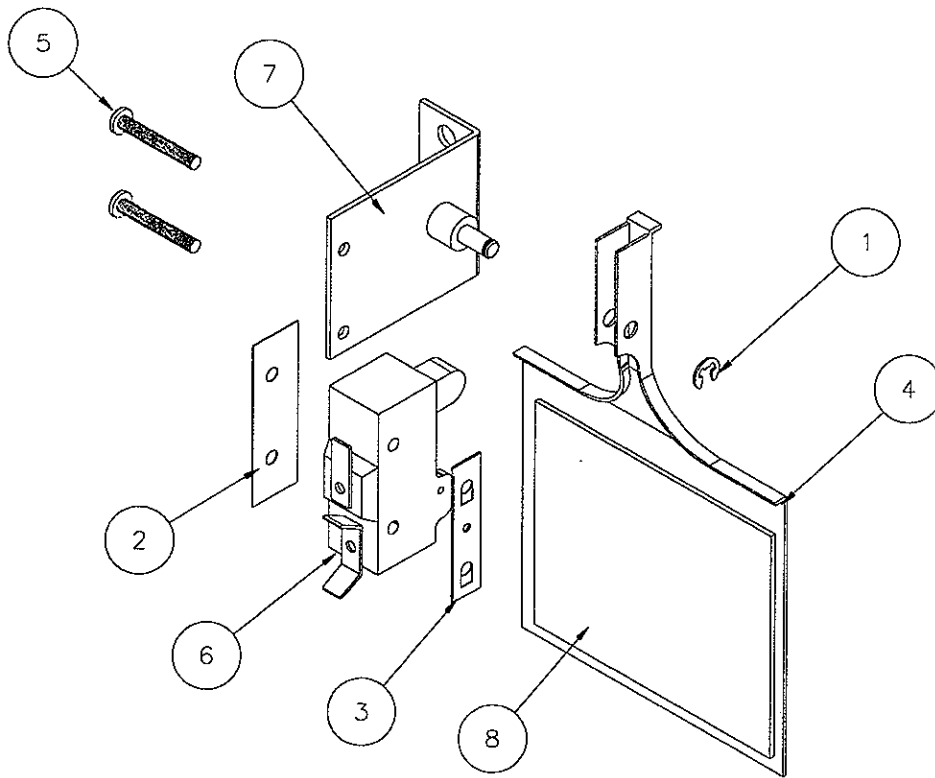
Ref. No.	Part No.	Description
	TUS14866	Basket & Spyder Assembly HD75 - stainless steel
	TU14866	Basket & Spyder Assembly HD75 - Galvanized
1	CSA-01695-0	Stainless steel basket assembly
1	CSA-01690-0	Galvanized basket assembly
2	TU14865	Spider assembly
3	TU2831	Lockwasher 1/2"
4	TU2882	Hex nut 1/2-20
5	TU2883	Washer, flat 1/2"
6	TU8297	Basket bolt
7	SB-00965-0	Screw button cap
8	TU7006	Shim, basket spider

REAR VIEW



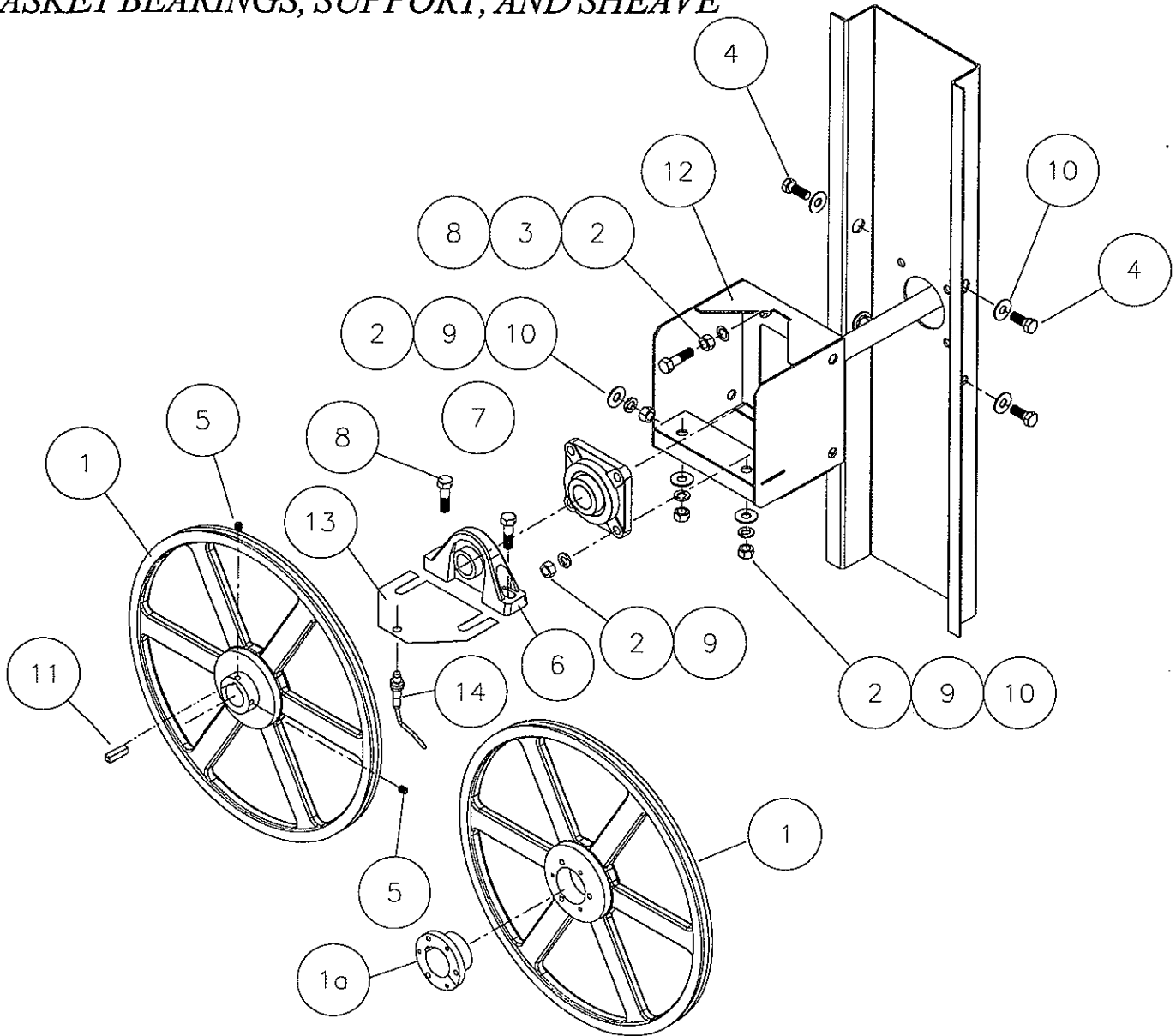
Ref. No.	Part No.	Description
1	TU14819WHT TU14887WHT	Jacket gas /electric (white) Jacket steam (white)
2	TU14849	Top panel
3	TU7733	Screw self drilling 8-18 x 1/2"
4	TU14725	Cover plate
5	CA-13259-0	Lower rear cover
6	TU3211	Leveling bolts
7	CA-13272-0	Upper rear cover

AIR SWITCH ASSEMBLY



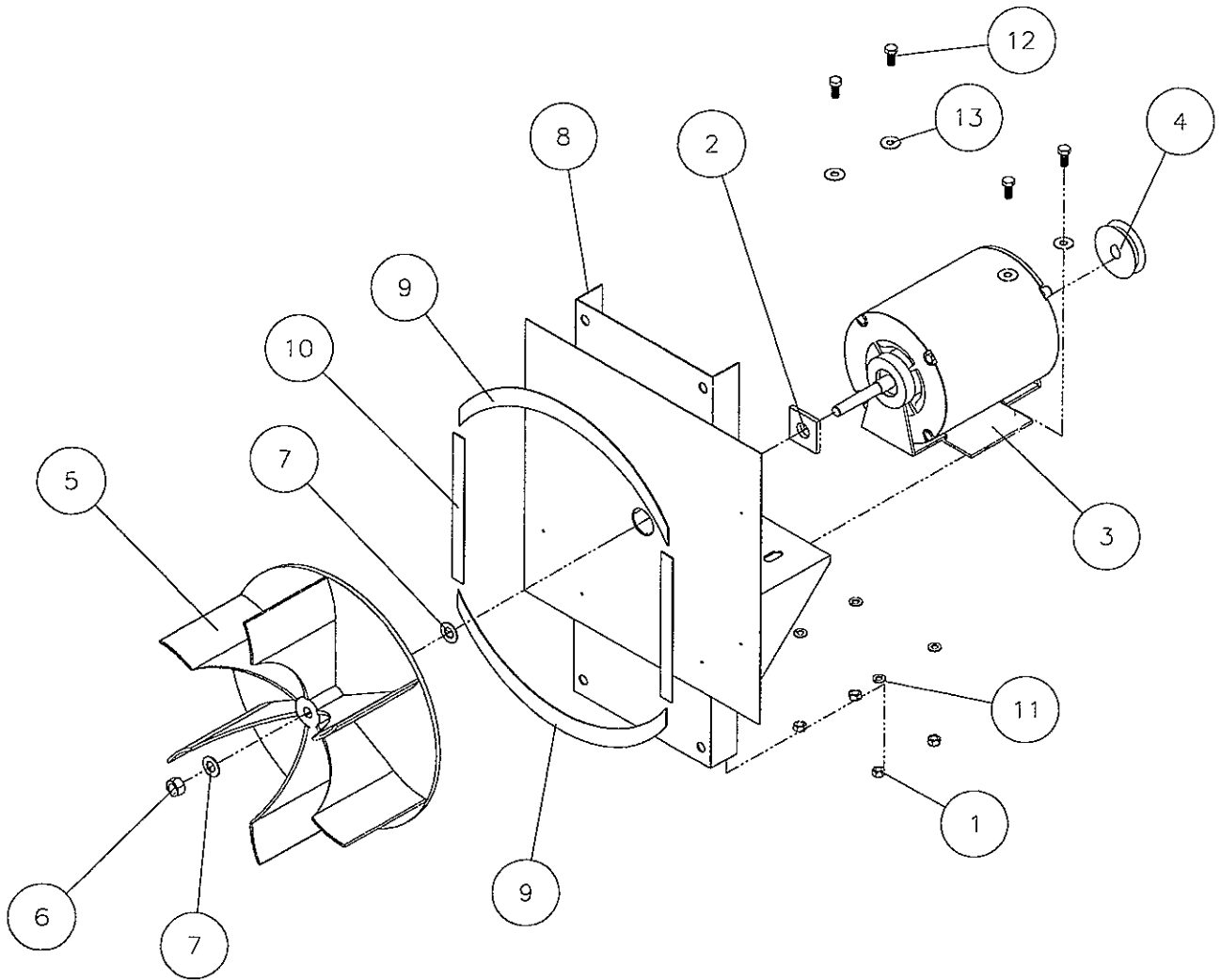
Ref. No.	Part No.	Description
	TU8206	Sail switch assembly complete
1	F888	"E" Ring
2	TU1770	Insulator
3	TU1771	#6 Tinnerman nut
4	TU2463	Actuator arm
5	TU3219	#6 x 1" Round head screw
6	TU8155	Air switch
7	TU8171	Air switch bracket
8	TU3476	Air switch decal

BASKET BEARINGS, SUPPORT, AND SHEAVE



Ref No.	Part No.	Description
1	TU15174	18" Dia. Sheave (Non-reversing)
	TU15157	18" Dia. Sheave (Reversing)
1a	TU15154	1 7/16" Tapered Bushing
2	OP233	1/2-13 Jam nut
3	OP251	1/2" Int. tooth lockwasher
4	RC347	1/2-13 x 1 1/4" H.H. Screw
5	TU10644	Set screw
6	TU13334	1 7/16" Pillow block bearing

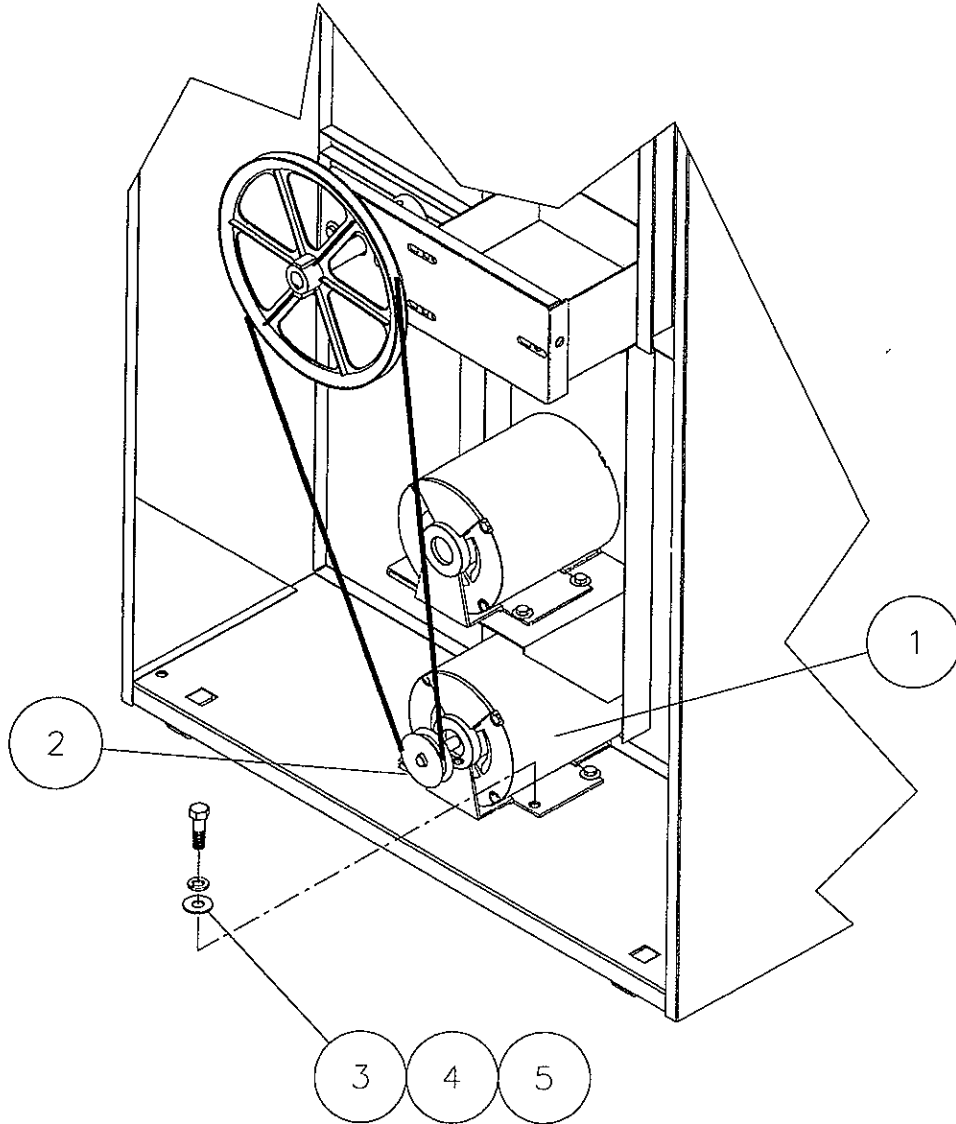
Ref No.	Part No.	Description
7	TU13335	1 7/16" Flange Bearing
8	TU2195	1/2-13 x 1 3/4" H.H. Screw
9	TU2831	1/2" Lockwasher
10	TU2883	1/2" Flatwasher
11	TU15304	1/4" Key
12	TUD0411	Bearing box
13	TU14946	Rotation sensor brkt.
14	TU14414	Rotation sensor



Ref.

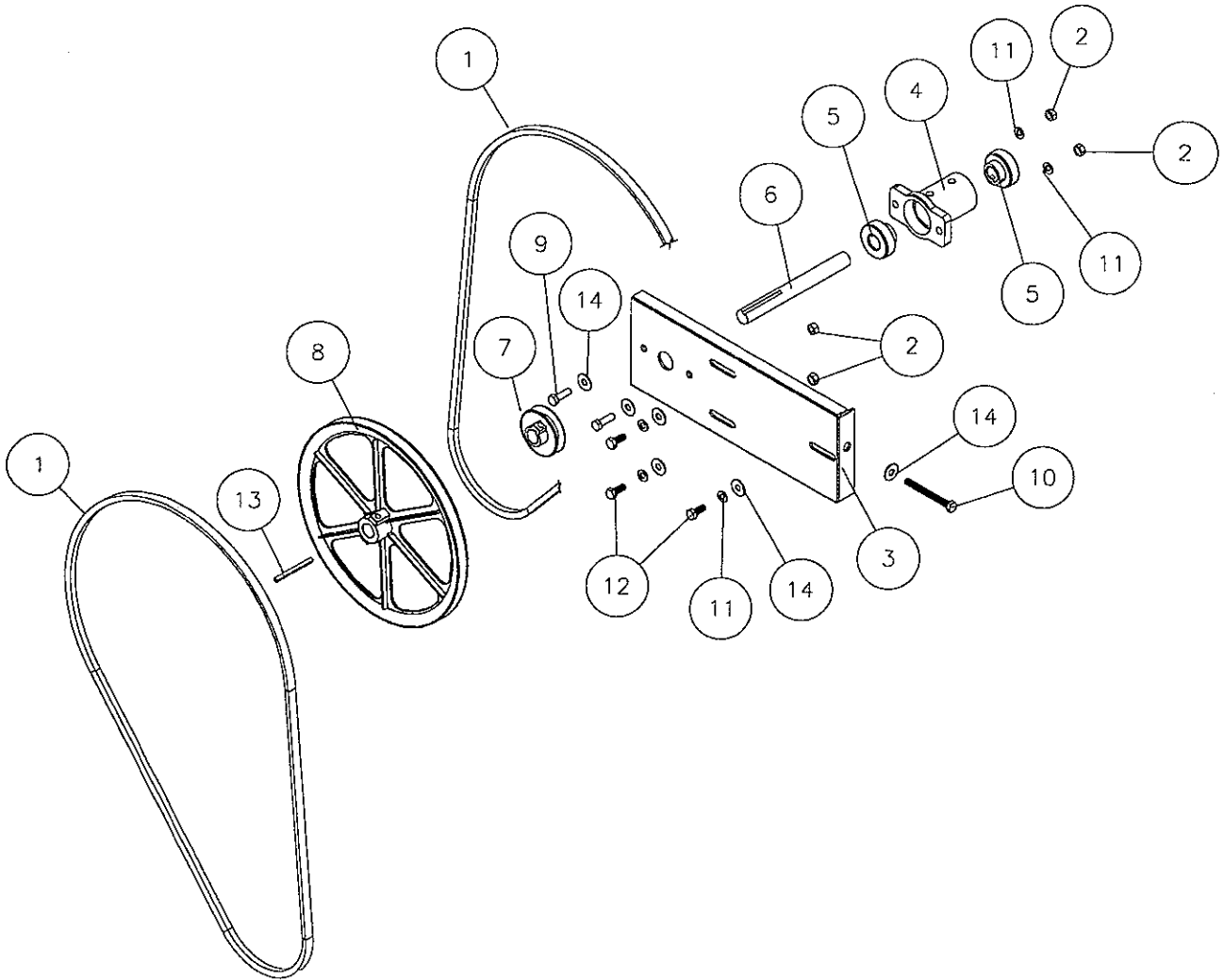
No.	Part No.	Description
1	C249	Nut, 5/16-18 (4 each)
2	DA-00460-0	Seal
3	DA-00477-0	3/4 h.p. motor 50/60/1
	DA-00480-0	3/4 h.p. motor 50/60/3
4	TU15167	Sheave cast IR 2.4X5/8 50hz.
	TU15164	Sheave cast IR 2.1X5/8 60hz
5	DSA-00812-0	Fan 13" machined
6	SB-00813-0	Nut, 1/2-20 left hand rev. lock
7	SB-00847-0	Washer, 1" O.D. x .505 I.D. (2 each)
8	TU14869	Motor mount
9	TU2473	Gasket, curved (2 each)
10	TU2474	Gasket, cork 8" (2 each)
11	TU2814	Washer, lock 5/16" (4 each)
12	TU5439	Screw, cap HH 5/16-18 (4 each)
13	VSB130	Washer, cut 5/16" (4 each)

MOTOR ASSEMBLY-REVERSING



Ref. No.	Part No.	Description
1	****	Motor, see chart on page
2	TU15164	Sheave, 2.1" dia. (60 Hz)
	TU15167	Sheave, 2.4" dia (50 Hz)
3	VSB130	Washer, cut 5/16"
4	TU2814	Washer, lock 5/16"
5	TU5439	Screw, cap HH 5/16-18

IDLER ASSEMBLY (Reversing and Non-reversing)



Ref. No.	Part No.	Description
----------	----------	-------------

Reversing

1	DA-00497-0	Belt, upper (Basket)
1	DA-11908-0	Belt, lower (Motor)

Non-reversing

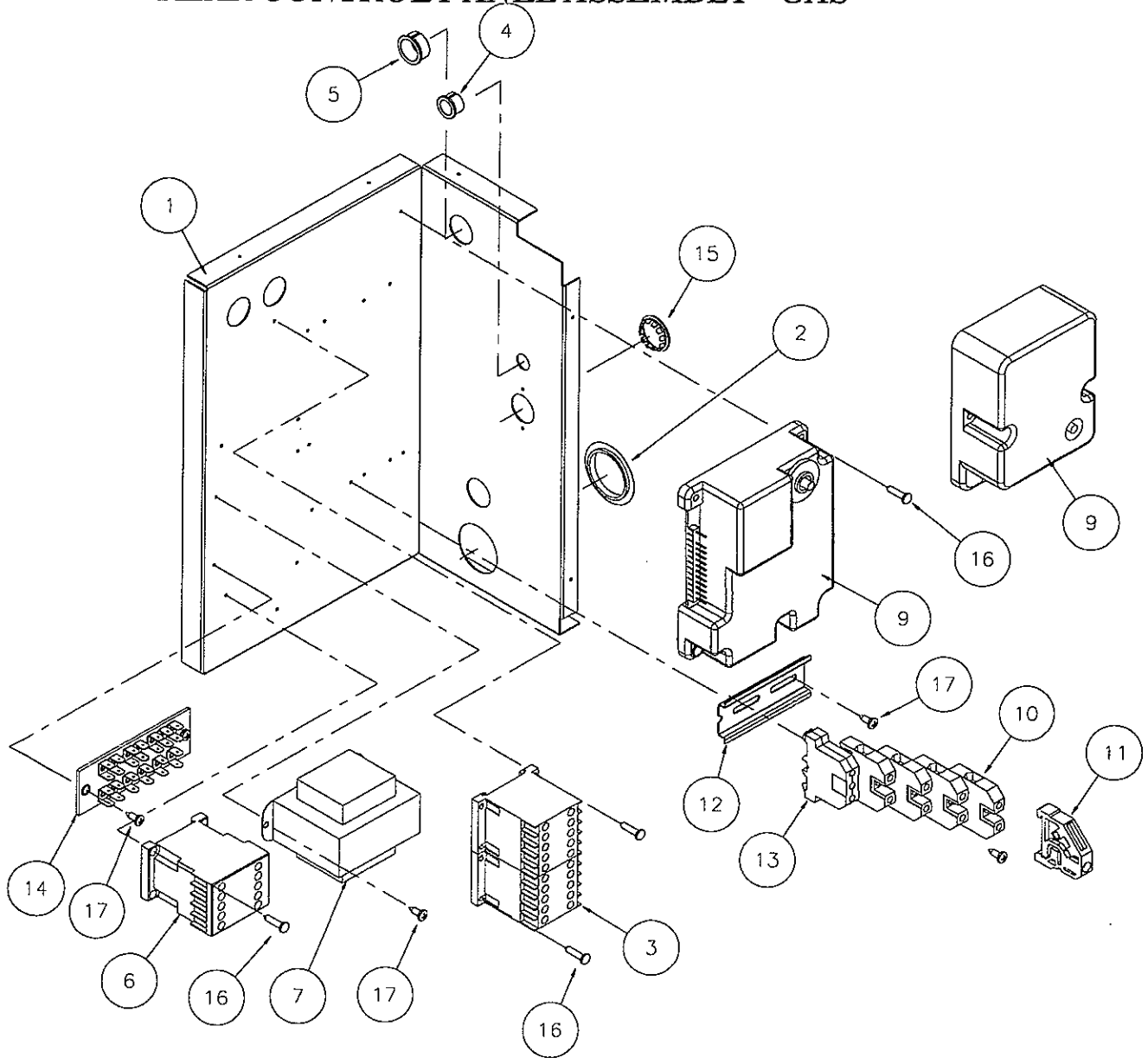
1	DA-00497-0	Belt, upper (Basket)
1	DA-00525-0	Belt, lower (Motor)

Ref. No.	Part No.	Description
----------	----------	-------------

10	SB-00935-0	Screw 5/16-18x 3"
11	TU2814	Lock Washer 5/16"
12	TU5439	Screw 5/16-18x 1"
13	TUD0187	Key 3/16" square 2 1/2"
14	VSB130	Washer 5/16"

2	C249	Nut, Hex 5/16-18
3	CA-12059-0	Idler adjustment plate
4	DA-00517-0	Housing, idler bearing
5	DA-00518-0	Bearing
6	DA-11711-0	Idler shaft
7	TU14691	V- belt pulley
8	TU15156	Idler pulley 11"
9	FB124	Screw 5/16-18x 1"

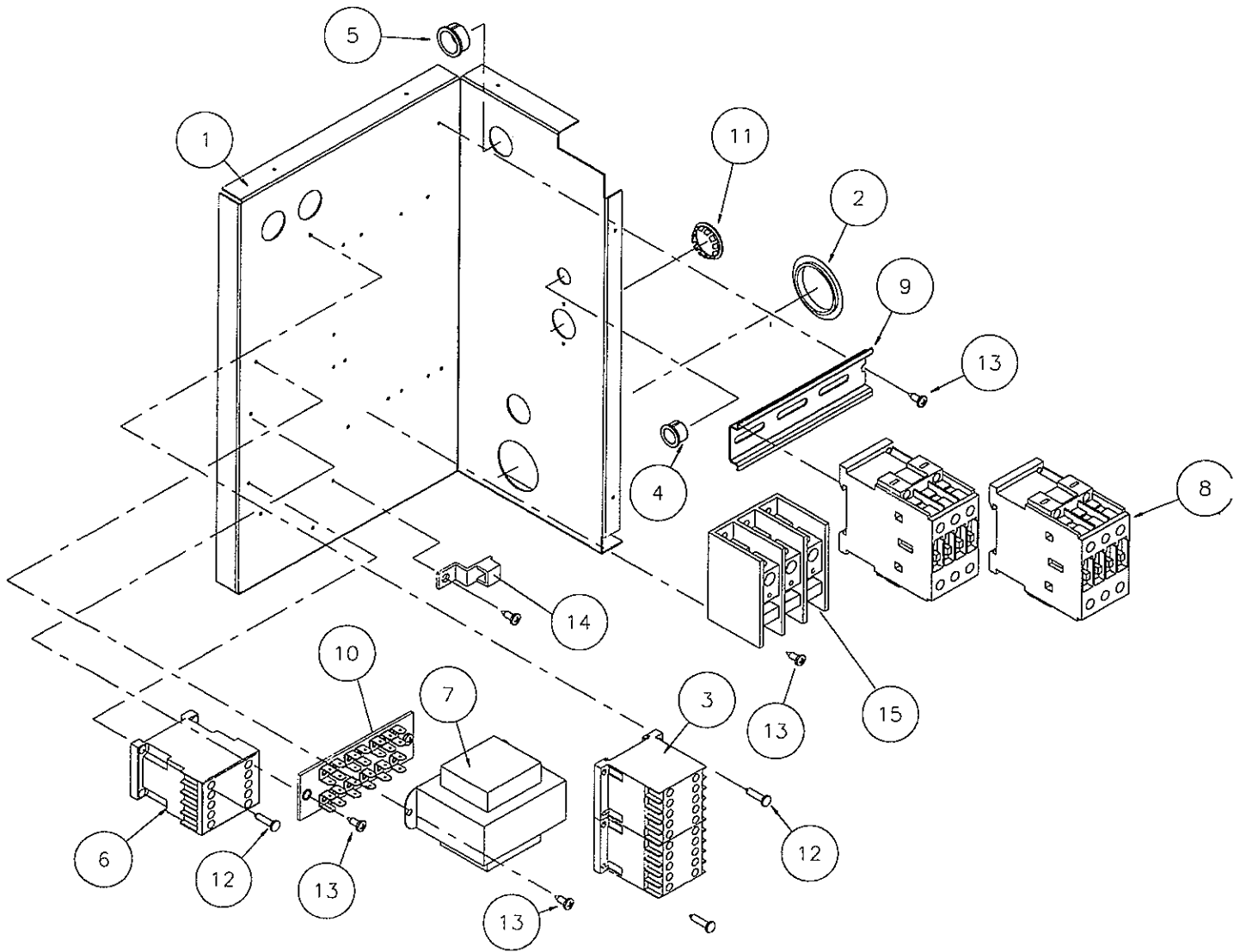
REAR CONTROL PANEL ASSEMBLY - GAS



Ref. No.	Part No.	Description
1	CA-11935-0	Rear wiring box
2	EA-00680-0	Plug knock out
3	EA-00685-0	Reverse control, 24V coil
4	SB-00865-0	Screw, phillips head
5	SB-00867-0	Bushing, insulating
6	SB-00868-0	Bushing, insulating
7	TU13463	Contactor, 24VAC
8	TU13480	Transformer, 200-240V/24VA
9	GA-11007-0	Ignitor module 50Hz (C.E.)
	GA-00765-0	Ignitor module 60Hz

Ref. No.	Part No.	Description
10	TU14958	T-Block
11	TU14959	T-Block end
12	TU14985	Din rail
13	TU15007	T-Block ground end
14	TU15265	Terminal Board
15	TU2490	Plug, button
16	TU2793	#8-18 Self-drilling screw
17	TU7733	#8-18 Self-drilling screw

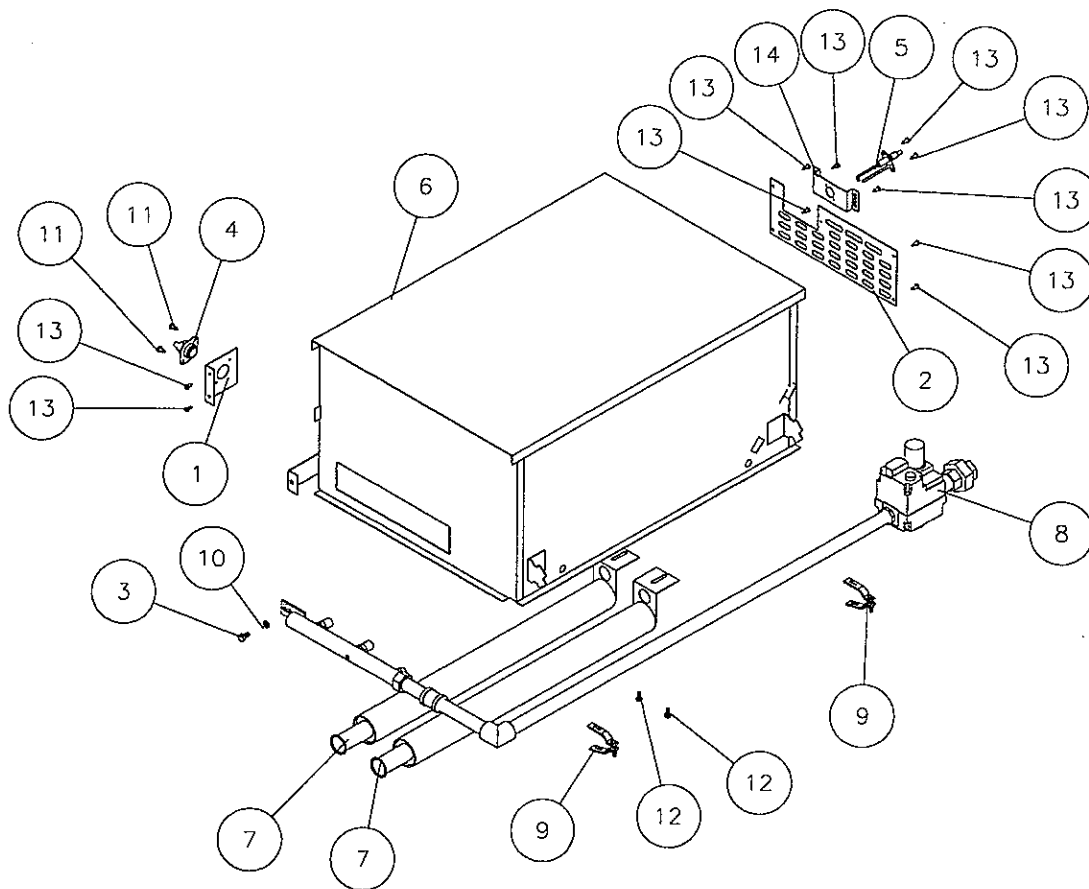
REAR CONTROL PANEL ASSEMBLY - ELECTRIC



Ref. No.	Part No.	Description
1	CA-11935-0	Rear wiring box
2	EA-00680-0	Plug knock out
3	EA-00685-0	Reverse control, 24V coil
4	SB-00867-0	Bushing, insulating
5	SB-00868-0	Bushing, insulating
6	TU13463	Contactora, 24VAC
7	TU13480	Transformer, 200-240V/24VA
8	TU13521	Contactora, 208-240V
	TU14684	Contactora, 346-600V

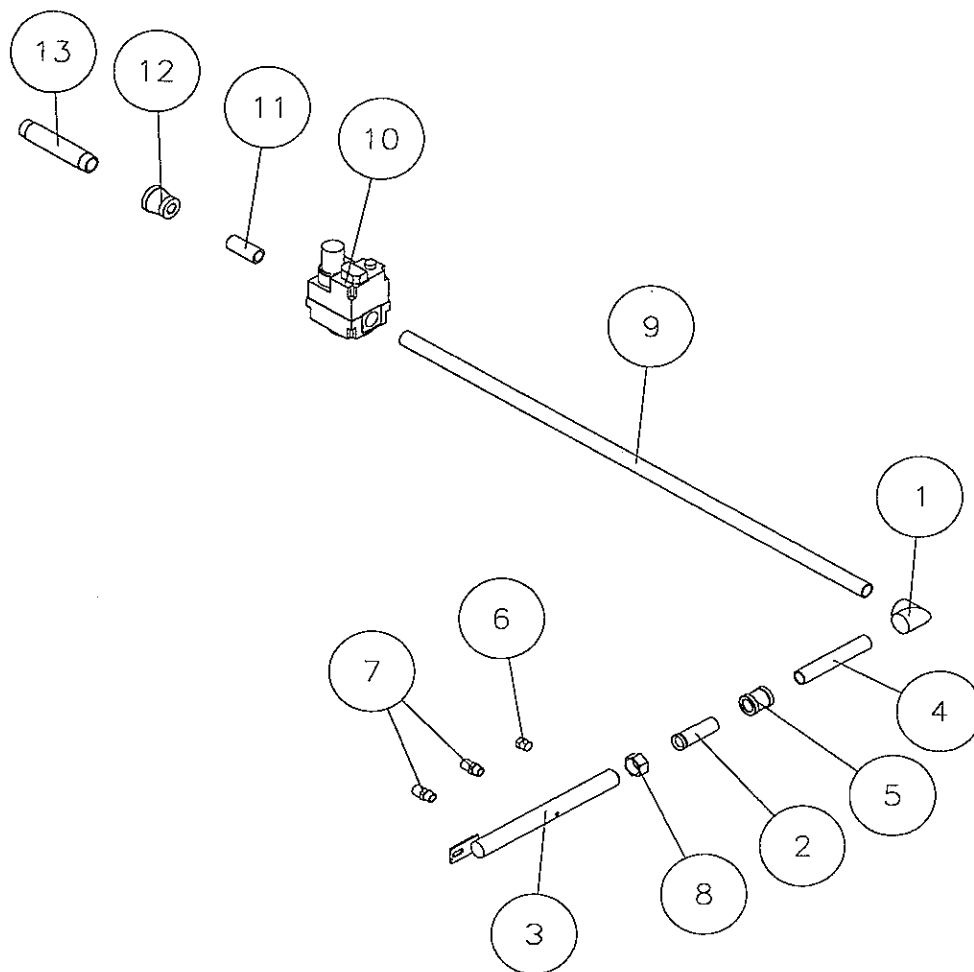
Ref. No.	Part No.	Description
9	TU14986	Din rail
10	TU15265	Terminal Board
11	TU2490	Plug, button
12	TU2793	#8-18 Self-drilling screw
13	TU7733	#8-18 Self-drilling screw
14	TU7738	Ground lug
15	TU9143	Terminal Block

GAS HEATING UNIT (NATURAL & LP GAS)



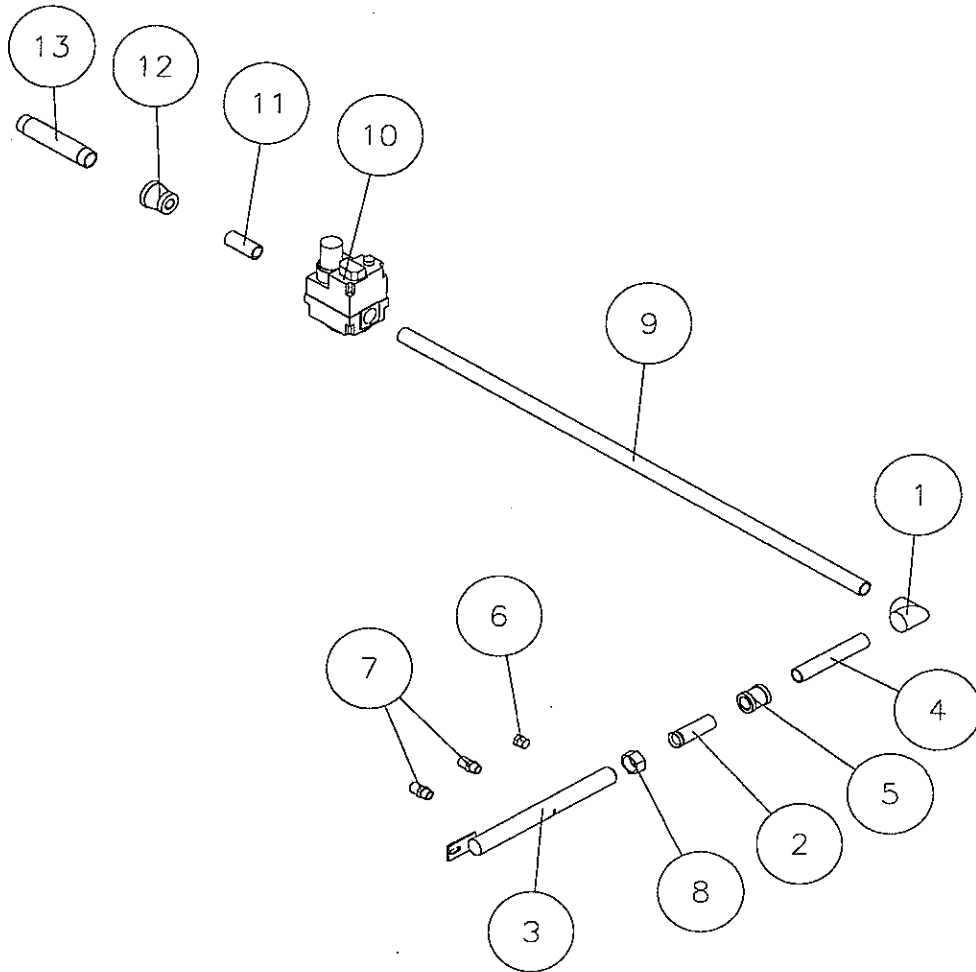
Ref. No.	Part No.	Description
	TU14827	Assembly Natural gas bonnet
	TU14828	Assembly LP bonnet
1	GSA-11028-0	Bracket, HI limit
2	CA-13251-0	Burner cover plate
3	C836	Screw, hex 1/4-20
4	EA-00245-0	Thermostat, 330 degree F
5	GA-00764-0	Electrode / straight
6	GSA-00791-0	Burner box housing
7	TU14505	Burner w/bracket
8	TU14824	Manifold & valve assembly (NG) see separate page.
	TU14826	Manifold & valve assembly (LP) see separate page.
9	TU2226	Bracket assembly
10	TU2846	Lock washer 1/4"
11	TU2878	Screw
12	TU6263	Screw, hex
13	TU7733	Screw self drilling 8-18 x 1/2"
14	TUD0242	Bracket, mount-electrode

MANIFOLD ASSEMBLY (NATURAL GAS)



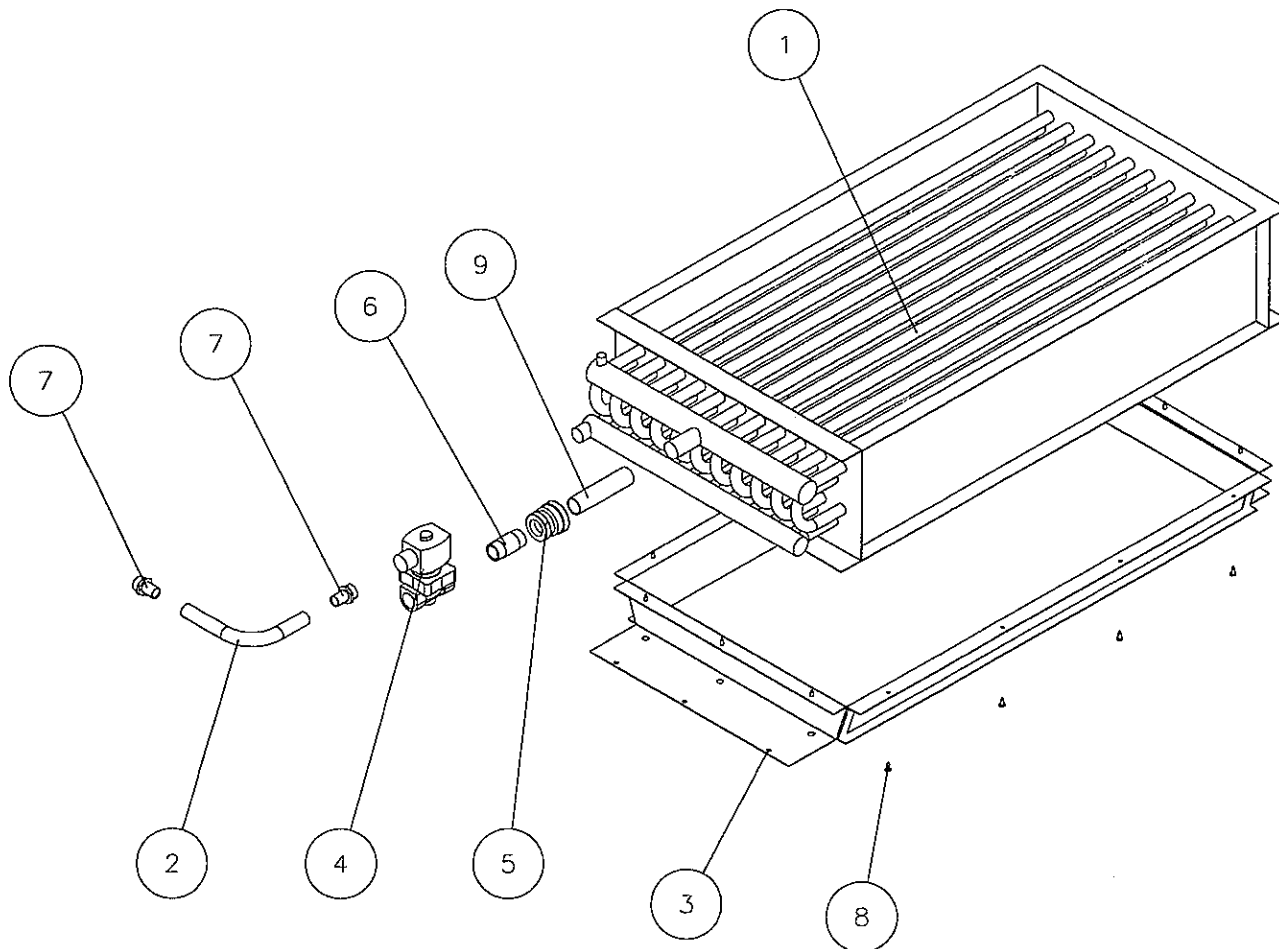
Ref. No.	Part No.	Description
1	390501053	Elbow, 1/2" 90 degree
2	664946146	Pipe - tail
3	GA-11006-0	Manifold
4	OP296	Nipple, 1/2" x 5"
5	SC505	Coupling, pipe 1/2"
6	TU10946	Plug, pipe (large)
7	TU3539	Orfice, burner
8	TU6862	Nut, union - gas
9	TU7358	Pipe, 1/2" x 34 1/2"
10	TU14178	Valve, gas NG 1/2"
11	OP290	Pipe nipple 1/2" X 2"
12	CA-13099-0	Reducer, 3/4" to 1/2"
13	TU4610	Nipple 3/4" x 5"

MANIFOLD ASSEMBLY (LP GAS)



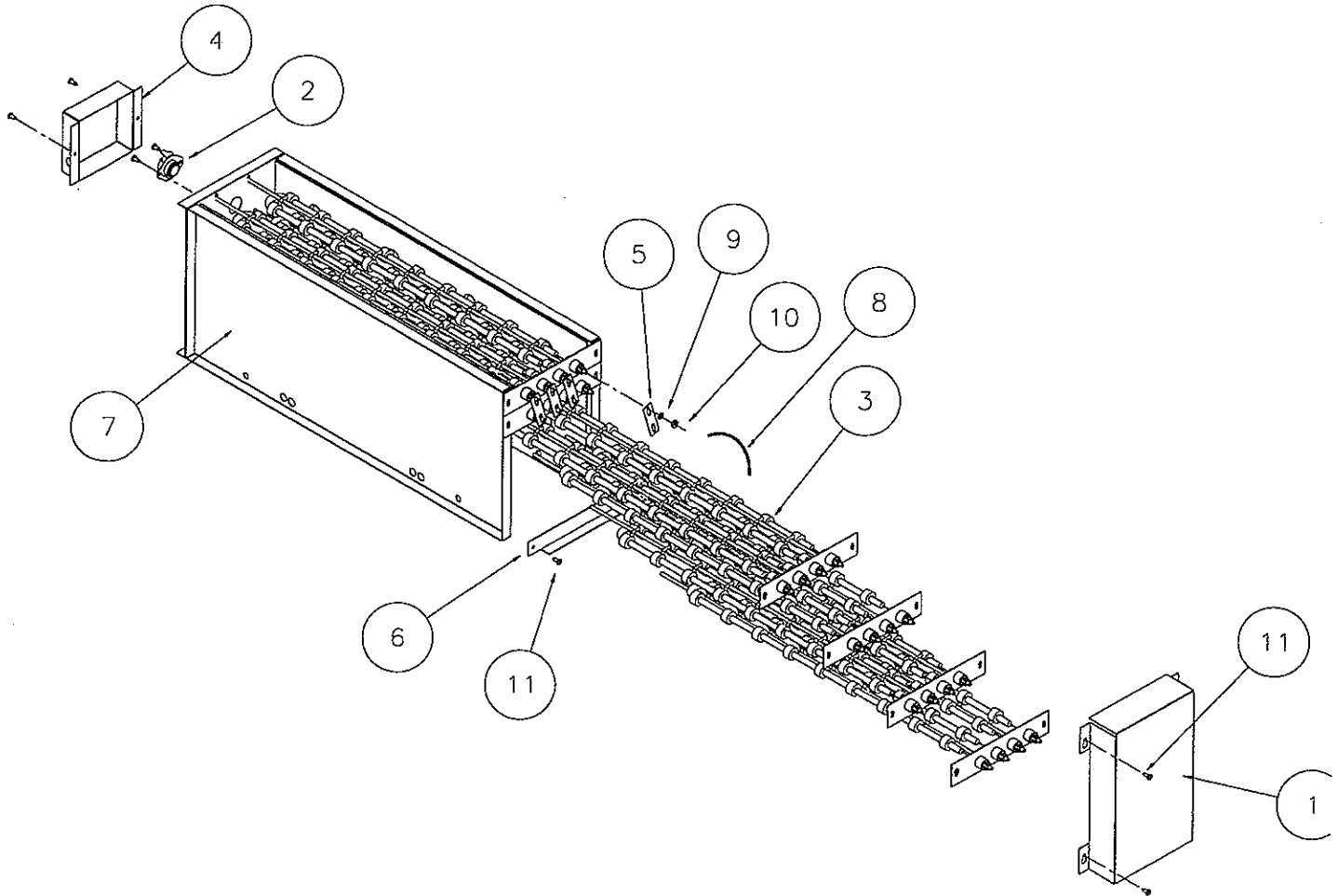
Ref. No.	Part No.	Description
1	390501053	Elbow, 1/2" 90 degree
2	664946146	Pipe - tail
3	GA-11006-0	Manifold
4	OP296	Nipple, 1/2" x 5"
5	SC505	Coupling, pipe 1/2"
6	TU10946	Plug, pipe (large)
7	TU3539	Orifice, burner
8	TU6862	Nut, union - gas
9	TU7358	Pipe, 1/2" x 34 1/2"
10	TU14177	Valve, gas LP 1/2"
11	OP290	Pipe nipple 1/2" X 2"
12	CA-13099-0	Reducer, 3/4" to 1/2"
13	TU4610	Nipple 3/4" x 5"

STEAM HEATING UNIT



Ref. No.	Part No.	Description
	CSA-01670-0	Steam heating bonnet assembly
1	CA-13221-0	Steam coil
2	CFB1300	Cable, GREENFIELD 1/2" X 13"
3	CSA-01602-0	Adaptor, w/a
4	TU13517	Valve, steam solenoid 3/4" 24V
5	TU2735	Reducer, pipe 1" x 3/4"
6	TU4608	Nipple, 3/4" x 2" black
7	TU4790	Connector
8	TU7733	Screw, self dr. #8-18 x 1/2"
9	TU9656	Nipple, 1" x 4" black

ELECTRIC BONNET ASSEMBLY



Ref.

No.	Part No.	Description
	ESA-00256-0	380-415V/30KW Complete assembly
	ESA-00997-0	460-480V/30KW Complete assembly
	TU14829	220-240V/30KW Complete assembly
	TU14830	200-208V/30KW Complete assembly

1	CA-11984-0	Rear heater box cover
2	EA-00243-0	Bonnet high limit switch
3	EA-00472-0	Heater element
	EA-00473-0	Heater element (208V)
4	EA-10232-0	Switch cover
5	EA-10417-0	Jumper bars
6	EA-11613-0	Heater box back
7	ESA-00610-0	Heater box housing
8	ESA-00948-0	Jumper
9	TU11613	#10 Ext. tooth washer
10	TU2842	#10-32 Hex nut
11	TU7733	Screw, self dr. #8-18 x 1/2"