

CISSELL MANUFACTURING COMPANY

831 S. FIRST STREET • LOUISVILLE, KY., U.S.A. 40203

Foreign Distributors: Address Correspondence Attention

Export Department • Cable Code "CISSELL"

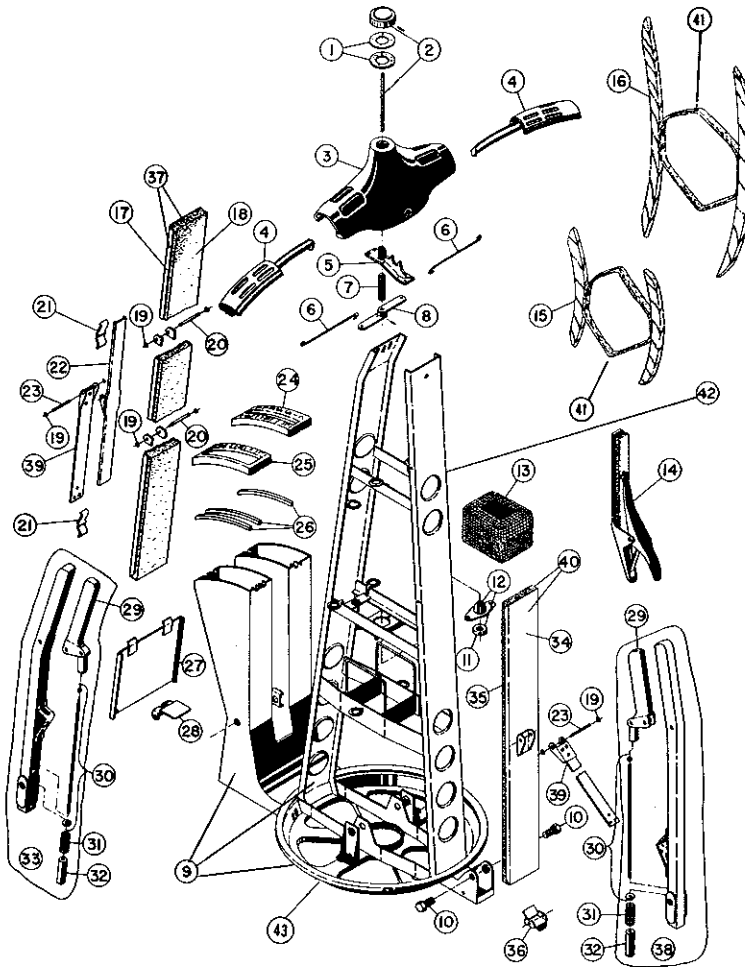
Pacific Coast Office, 4823 W. Jefferson Blvd., Los Angeles

Ask Your Distributor

When ordering, specify part number and name.

Cissell
FORM FINISHER
REVOLVING ASSEMBLY UNIT
 (Less Controls and Bag)
 Parts

Whenever ordering parts or making inquiry, specify machine, serial number, voltage and current.



Reference No.	Part No.	Part Name
F-22D REVOLVING FORM ASSEMBLY (WITH CONTROLS LESS BAG)		
1	F-192	Insulating Gasket (2 req.)
2	F-381	Shoulder Adjustment Rod, Knob & Pin
3	F-492	Shoulder Form W/4 Mounting bolts, nut and washers
4	F-493	Shoulder Extension (2 req.)
5	F-494	Bearing Plate w/4 screws
6	F-336	Shoulder Link (2 req.)
7	F-197	Shoulder Tension Spring
8	F-317	Shoulder Lever
9	F-239D	Revolving Form Frame Assembly
10	F-140A	Clamp Bearing Bolt (2 req.)
11	F-279	Thrust Bearing
12	F-289	Cup and Bearing w/bolts, nuts & washers
13	F-9	Large asbestos collar (steam baffle)
14	F-27	Cissell Vent Clamp (2)
15	F-11	Set of two No. 11 sleeves
16	F-24	Set of two No. 24 sleeves
17	F-432	Front paddle channel (36") Less Sponge
18	F-433	Sponge (36") for front Paddle Channel
19	F-68	Pkg. of 6 "E" Rings (5133-18) for 3/16" pin
20	F-240	Clamp Slide support pin (2 req.)
21	F-243	Slide Spring Clip (2 req.)
22	F-237	Clamp Slide
23	F-267	Pivot Pin (2 req.)
24	F-304	Waist Index Plate w/two mounting screws
25	F-303	Hip and Lower Index Plate w/two mounting screws.
26	F-302	Control Slides (3 req.)

Reference No.	Part No.	Part Name
27	F-332	Front Plate
28	F-333A	Front Latch w/two screws
29	F-104	Trigger Release w/Latch Rodging (2 req.)
30	F-335	Clamp Latch Rod, w/Nut and Washer (2 req.)
31	F-151	Clamp Compression Latch Spring (2 req.)
32	F-137	Latch Plunger (2 req.)
33	F-334	Front Handle w/Latch Plunger, Spring, rod assm. and Trigger release
34	F-434	Rear Paddle Channel (25-1/2") Less Sponge
35	F-435	Sponge (25-1/2") For Rear Paddle Channel
36	F-427	Back Latch w/two Mounting screws, nuts and washers
37	F-436	Front Paddle Channel (36") and Sponge
38	F-437	Back Handle w/latch plunger, spring, rod assm. and Trigger release
39	F-218	Clamp Leaf Spring w/3 screws and lock washer (2 req.)
40	F-438	Rear Paddle Channel (25-1/2") and sponge
41	F-63	Two Covered Spring Assemblies with Screws and Washers for Pair of Sleevers
42	F-534	Revolving Form Frame (w/4 mtg. screws, nuts and washers)
43	F-533	Revolving Form "Pan"
	TU-2610	Name Plate w/2 Push-On Nuts (Not Illustrated)
	F-10D	Nylon Bag (Not Illustrated)
	F-19	Plastic Cover for Nylon Bag (Not Illustrated)
	F-59	Sponge Rubber for Vent Clamp (Not Illustrated)
	F-56A*	Adjustable shoulder assembly, complete

*Includes Part Nos. F-192, F-381, F-492, F-493, F-494, F-336, F-197, F-317

F-788-For (F-492 Shoulder Form): F-787 #10-24 x 1/2 Flat Head Machine Screw, Stainless Steel; TU-3417 #10 Spring Lockwasher; SV-33-3 3/16 Flat Washer; FB-185 #10-24 x 1/8 Thick Hex Nut.

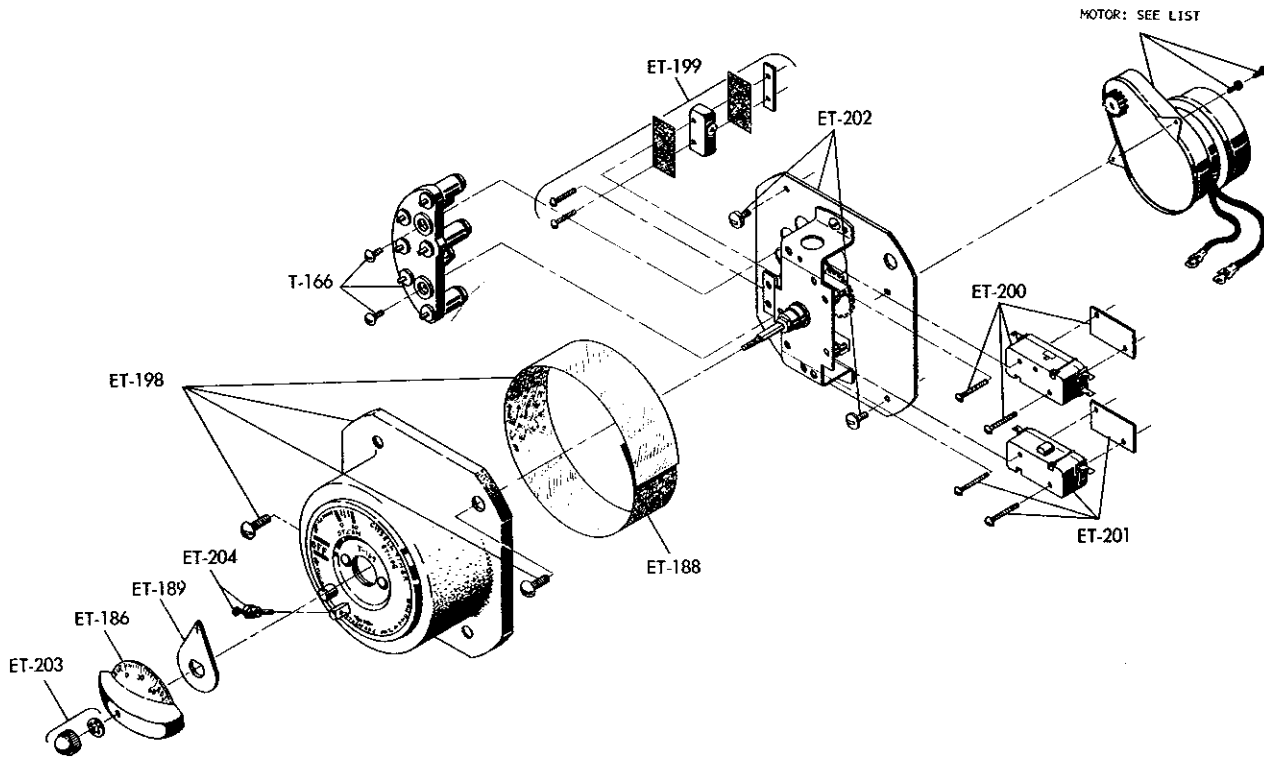
NOTE: F-11 and F-24 Sleevers and F-27 Vent Clamps are not part of the Revolving Assembly.

CISSELL MANUFACTURING COMPANY
 831 South First St.
 P.O. Box 32270
 Louisville, KY
 40232-2270
 502/587-1292
 Pacific Coast Office:
 4823 West Jefferson Blvd.
 Los Angeles, CA 90016
 213/731-2196

Foreign Distributors
 write Export Dept.,
 Cable Code Cissell
 Telex No. 204158
 European Headquarters:
 Pantex-Cissell B.V.
 P.O. Box 53, 9670 AB
 Winschoten, Holland
 Telex No. 53535

cissell
FORM FINISHER
ET-106 ELECTRIC TIMER
PARTS

Whenever ordering parts or making inquiry, specify machine, serial number, voltage and current



120 VOLT, 60 CY.

ET-106 ELECTRIC TIMER WITH BASE
ET-106 ELECTRIC TIMER LESS BASE

- ET-203 Air Adjustment Nut & Internal Tooth Lock Washer (Pkg. of 4 each)
- ET-186 Knob Assembly
- ET-189 Tear Drop Pointer
- ET-204 Adjusting Steam Lock Nut Assembly (Pkg. of 3)
- ET-198 Case Top Assembly w/Liner & w/screws
- ET-188 Armitage Liner
- ET-199 Sub-Miniature Micro Switch Assembly w/screws
- ET-200 C3 Switchette Assembly w/screws (CR 1070C-103)
- ET-201 B3 Switchette Assembly w/screws (CR 1070C-146)
- ET-202 Mounting Plate Assembly w/screws
- ET-185 Timer Motor 110V., 60 Cy., 1/3 RPM(R) with 2 screws
- ET-209 Timer Motor 110V., 50 Cy., 1/3 RPM(R) with 2 screws
- ET-206 Timer Motor 220V., 60 Cy., 1/3 RPM(R) with 2 screws
- ET-207 Timer Motor 220V., 50 Cy., 1/3 RPM(R) with 2 screws
- T-166 Six Post Terminal Board with screws
- ET-205 Mounting Screws, Pkg. of 12 each of the following (Not illustrated)

- #3-48x3/4" RD. HD. Brass Mach. Screw-Chrome Plated
- #8-32x3/8" RD. HD. Steel Screw - Cad. Plated
- #6-32x1/4" Binding HD. Screw-Chrome Plated
- #5-40x1/4" RD. HD. Brass Screw
- #2-56x3/8" RD. HD. Brass Screw
- #3-48x5/8" RD. HD. Brass Screw
- #3-48x3/16" RD. HD. Brass Screw
- #5-40x1/4" RD. HD. Brass Screw

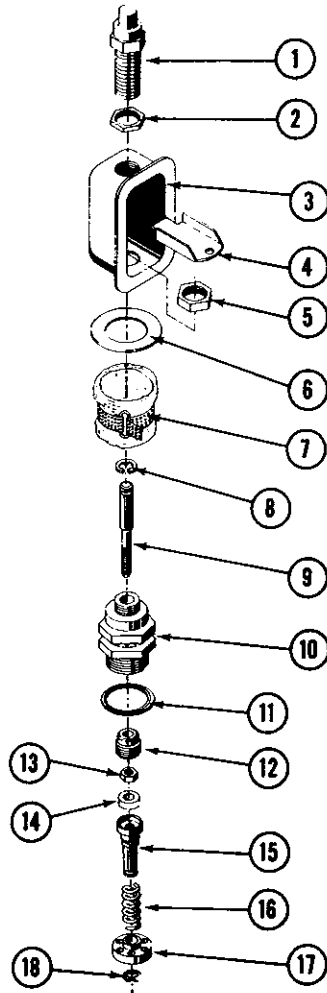
CISSELL MANUFACTURING COMPANY
 831 S. FIRST STREET • LOUISVILLE, KY., U.S.A. 40203
 Foreign Distributors: Address Correspondence Attention
 Export Department • Cable Code "CISSELL"
 Pacific Coast Office, 4823 W. Jefferson Blvd., Los Angeles

Ask Your Distributor

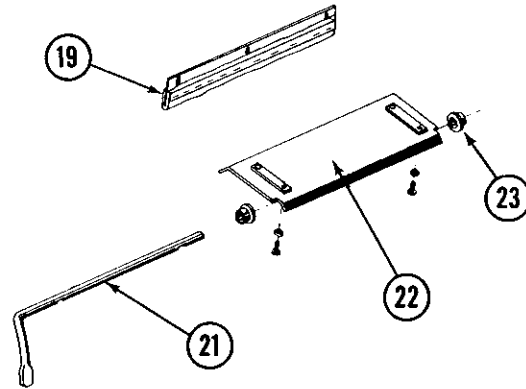
When ordering, specify part number and name.

cissell
FORM FINISHER
STEAM VALVE, DAMPER
ASSEMBLY & PIPING (LOW BASE)
PARTS

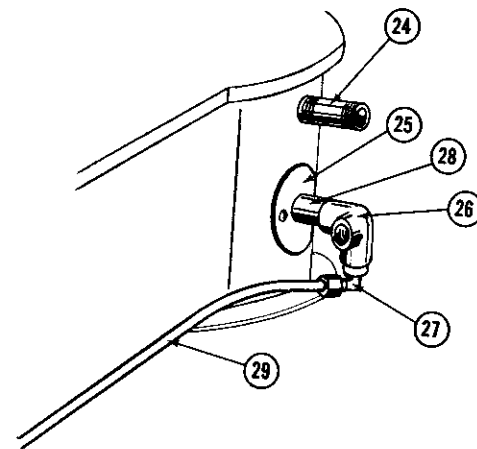
Whenever ordering parts or making inquiry, specify machine, serial number, voltage and current



FV-110 STEAM VALVE



DAMPER ASSEMBLY



PIPING

Ref. No.	Part No.	Description
1.	F-287	Bearing Adjustment Screw
2.	F-286	Bearing Locknut
3.	F-285	Bearing Support Box
4.	FV-101	Valve Lever
5.	V-6	Large Locknut
6.	FV-106	Collar Retainer
7.	F-18	Metallic Steam Spreader w/Draw Band
8.	F-359	Truarc "E" Ring (X5133-25) (for valve stem) pkg. of 6
9.	FV-103	Valve Stem
10.	FV-100	Valve Body
11.	P-103	Copper Tin Clad Gasket
12.	V-36	Renewable Valve Seat
13.	V-15	Small Lock Nut
14.	V-16T	Teflon Disc (pkg. of 6)
15.	FV-104	Valve Disc Holder
16.	V-3-30	Spring (pkg. of 6)
17.	FV-105	Valve Spring Retainer

Ref. No.	Part No.	Description
18.	F-358	Truarc "E" Ring (X5133-31) (for disc holder) pkg. of 6
19.	F-231A	Upper Adjustable Air Seal w/felt (2 req.)
21.	F-745	Damper Rod (for Models FFCD & FCCG)
	F-638	Damper Rod (for Model FMAA)
22.	F-232A	Damper, Two Mounting Screws and Washers (for Models FFCD & FCCG)
	F-723	Damper, Two Mounting Screws and Washers (for Model FMAA)
23.	F-212	Delrin Damper Bearings
24.	OP-292	1/2" Pipe Nipple 2 1/2" Long (Supply)
25.	F-225	Spacer Ring
26.	F-573	Bushed Side Outlet El 1/2" x 1/2" x 1/8"
27.	OP-224	90 degree Compression El, 1/4" tube x 1/8" pipe
28.	F-226	1/2" pipe nipple 7" long (return)
29.	F-690	1/4" O.D. x 62 1/2" tubing for condenser w/fittings

CISSELL MANUFACTURING COMPANY

831 S. FIRST STREET • LOUISVILLE, KY., U.S.A. 40203

Foreign Distributors: Address Correspondence Attention
Export Department • Cable Code "CISSELL"
Pacific Coast Office, 4823 W. Jefferson Blvd., Los Angeles

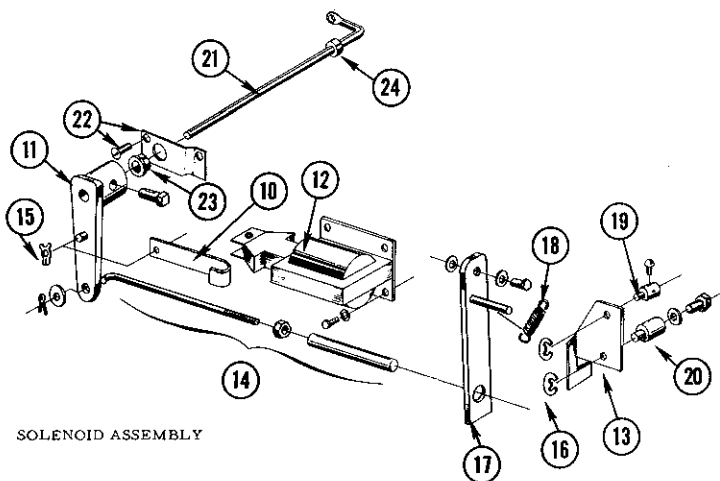
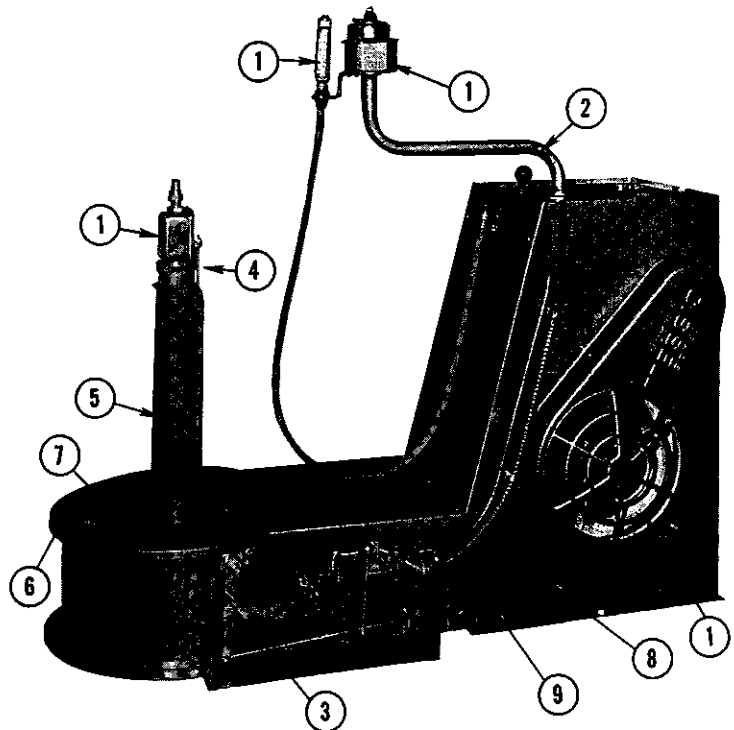
Ask Your Distributor

**CISSELL FORM FINISHER
MODELS FFCD and FFCG
BASE ASSEMBLY
PARTS**

WHEN ORDERING PARTS OR MAKING INQUIRY, Specify Machine, Serial Number, Voltage and Current.

BASE ASSEMBLY

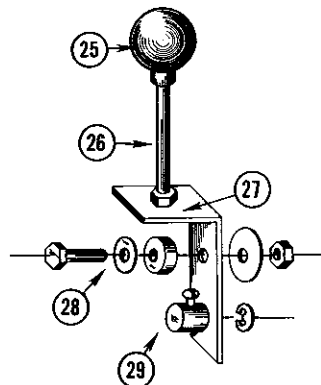
REF. NO.	PART NO.	DESCRIPTION
1		See Other Sheets
2	F686	Support Pipe w/Four Locknuts Plastic Bushing and Strain Reliefs
3	F681	Rubber Bumper, w/Screw & Nut
4	F149	Valve Pull Rod
5	F539	Steam Chamber
6	F357	Felt Air Seal
7	F637	Steam Coil
8	F728	3/8" x 19" Greenfield Cable w/Adapters and Locknuts
9	F678	1/4" x 25" Damper Control Wire Tube (only)
	F679	Damper Control Wire (only)
NOT ILL.	F227	Flared Fitting (For Connecting Steam Coil to Steam Chamber)



SOLENOID ASSEMBLY

REF. NO.	PART NO.	DESCRIPTION
10	F726	Solenoid Extension Arm
11	F732	Steam Control Lever w/Set Screw
12	F739	Solenoid 115V. only w/Nut and Bolts
	F738	Solenoid 230V. only w/Nuts and Bolts
13	F682	Throwout Cam Plate
14	F344	Damper Push Rod w/Hardened Tip, Nut, Cotter Pin and Washer
15	F362	"X" Washers (Pkg. of 6)
16	F489X12	"E" Rings (Pkg. of 12)
17	F724	Throwout Lever Assembly
18	F692	Spring
19	F340	Swivel w/Screw and "E" Ring
20	F731	Mounting Stud w/Capscrew, Lockwasher and "E" Ring
21	F185	Extension Bar
22	F254A	Bearing Plate w/Screws
23	TU49B	Delrin Bearing
24	F215	Collar w/set screw

DAMPER CONTROL ASSEMBLY



REF. NO.	PART NO.	DESCRIPTION
25	D16	Air Control Handle Knob
26	F750	Control Handle Shaft w/Nuts
27	F663A	"L" Clamp
28	F722	Bolt, Washers, Spacer and Nut for Damper Control
29	F664	Swivel

CISSELL MANUFACTURING COMPANY

831 S. FIRST STREET • LOUISVILLE, KY., U.S.A. 40203

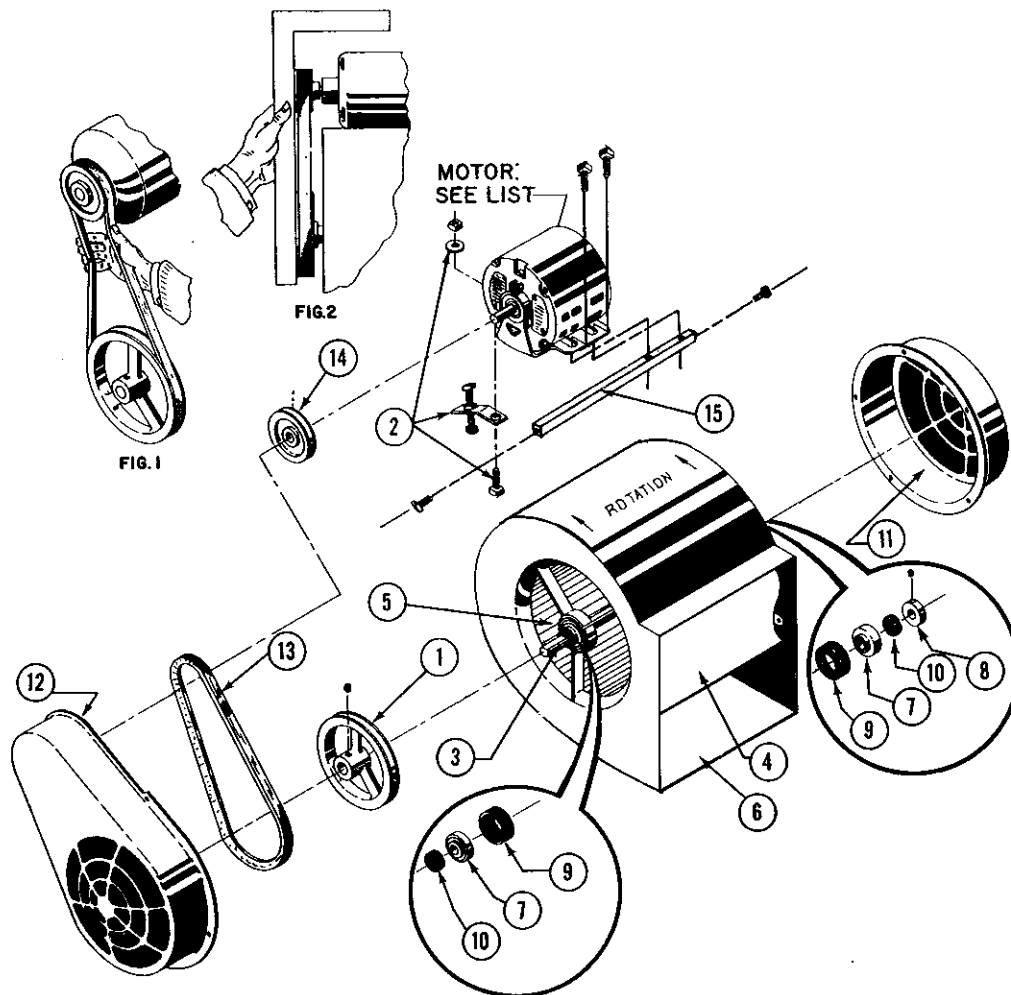
Foreign Distributors: Address Correspondence Attention
Export Department • Cable Code "CISSELL"
Pacific Coast Office, 4823 W. Jefferson Blvd., Los Angeles

Ask Your Distributor

cissell

**FORM FINISHER
BLOWER ASSEMBLY (LOW BASE)
PARTS AND INSTALLATION**

Whenever ordering parts or making inquiry, specify machine, serial number, voltage and current.



Ref. No.	Part No.	Description
	F-734	Blower Assembly Complete less motor, guards, pulleys and belt
1.	F-363	Blower Pulley (1) 3/4" dia. hole (AK-61)
2.	F-365	Adjustment Bolt with square nut, strap pad, mounting bolt, nut and washer (1)
3.	F-366	Shaft 3/4" dia. x 16 1/2" length
4.	F-367	Cut-off (with speed nuts and stove bolts) (1)
5.	F-368	Blower Wheel (1)
6.	F-369	Blower Housing (with cut-off)
7.	F-371	Bearing Assembly (2)
8.	F-372	Thrust Collar (1)
9.	F-373	Bearing Insulator Cup (2)
10.	F-374	Plastic Thrust Washer (2)

Ref. No.	Part No.	Description
11.	F-375A	Blower Guard (1) (for machines to be used in Calif. and all FMAA Machines order F-375A)
12.	F-376A	Belt Guard (1) (for machines to be used in Calif. and all FMAA Machines order F-376A)
13.	TU-2317	V-Belt (1) 4L-380
14.	TU-2318	Motor Pulley with set screw 1/2" dia. hole (AK-34)
15.	PT-47	Motor Support Bar
16.	P-36	Allen Head Wrench, 5/16" across flats (not illustrated)

ELECTRIC MOTOR — 1/3 HP, 1725 RPM, 115 or 230 Volt, 60 Cy., AC, Single Phase. **WHEN ORDERING, SPECIFY VOLTAGE DESIRED.** Other voltages and currents available at additional cost.

LIST PRICES OF NYLON BAG AND PARTS
FOR CISSELL FORM FINISHER (MODEL FFAG)
6" TALLER REVOLVING FORM ASSEMBLY

F - 22G	REVOLVING FORM ASSEMBLY (WITH CONTROLS AND LESS BAG)
F - 10G	Nylon Bag
F - 239G	Revolving Form Frame
F - 234	Front or Rear Handle w/latch plunger, spring rod assembly and trigger release
F - 432G	Front Paddle Channel (42") less sponge
F - 433G	Sponge (42")for Front Paddle Channel
F - 434G	Rear Paddle Channel (31½") less sponge
F - 435G	Sponge (31½") for Rear Paddle Channel
F - 436G	Front Paddle Channel (42") and sponge
F - 438G	Rear Paddle Channel (31½") and sponge
F - 442G	Nylon Cord and Beads for lower control (set of 2)
F - 533	Revolving Form "Pan"
F - 535	Revolving Frame (w/4 mtg. screws, nuts & washers)

WHENEVER ORDERING PARTS OR MAKING INQUIRY,
SPECIFY MACHINE, SERIAL NUMBER, VOLTAGE
AND CURRENT.

All prices F. O. B. Louisville, Kentucky. Prices subject
to change without notice.

W. M. CISSELL MANUFACTURING CO., INC.
Louisville, Kentucky U. S. A.

CISSELL MANUFACTURING COMPANY

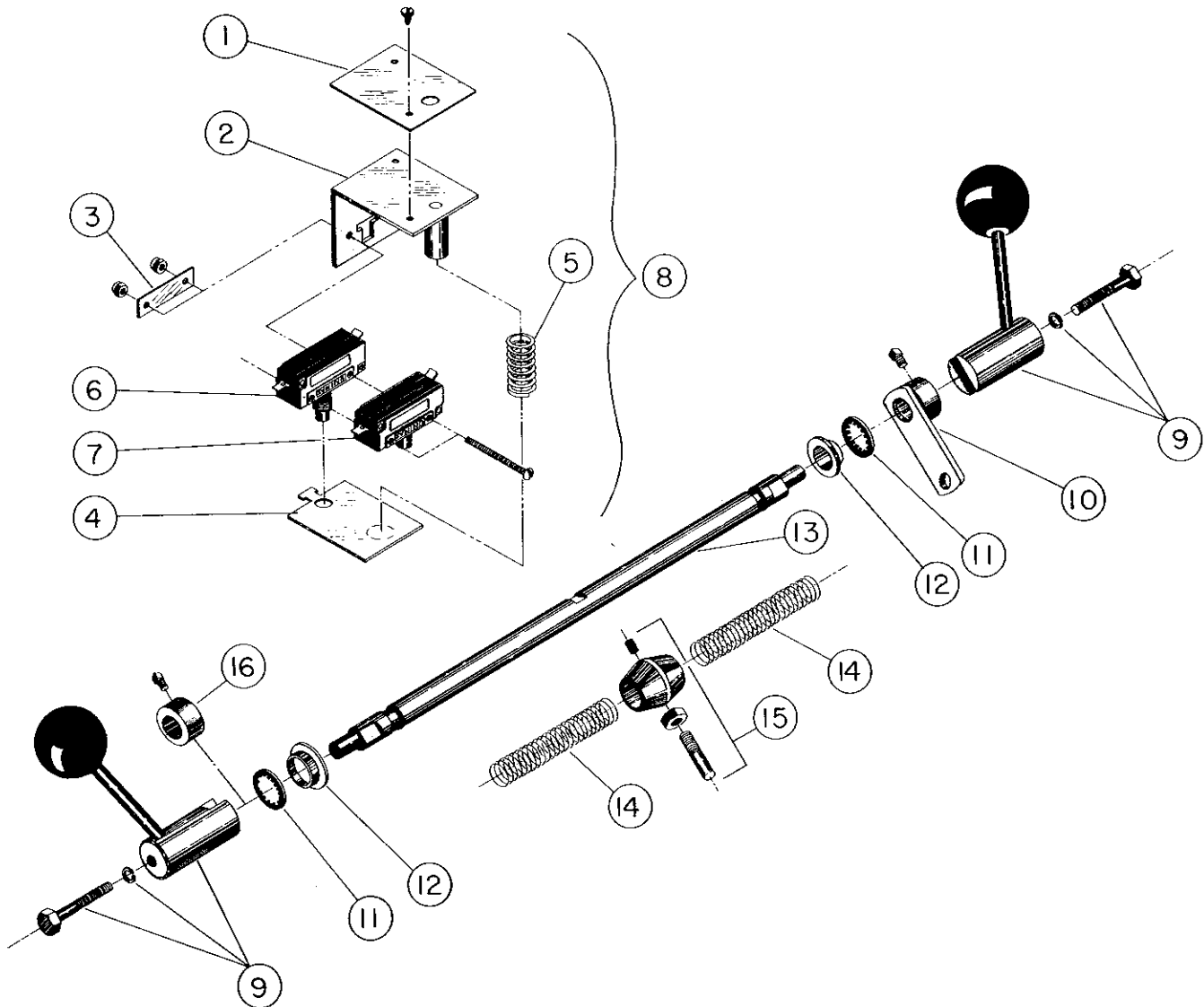
831 S. FIRST STREET • LOUISVILLE, KY., U.S.A. 40203

Foreign Distributors: Address Correspondence Attention
Export Department • Cable Code "CISSELL"
Pacific Coast Office, 4823 W. Jefferson Blvd., Los Angeles

Ask Your Distributor

When ordering, specify part number and name.

cissell
STEAM-AIR FINISHER
MODEL FG-2
CONTROL SHAFT &
SWITCH BRACKET



Ref. No.	Part No.	Description
1.	FG-350	Backing Plate
2.	FG-351	Switch Mounting Bracket W/Mounting Hardware
3.	FG-352	Retaining Plate
4.	FG-353	Switch Actuator Plate
5.	FG-315	Spring
6.	FG-140	Steam Switch
7.	FG-355	Air Switch
8.	FG-356	Air & Steam Switch Ass'y
9.	FG-293	Control Knob Ass'y Bolt & Lockwasher
10.	FG-358	Damper Control Lever
11.	FG-249	Push-On Retaining Ring
12.	IB-76A	Delrin Bearing
13.	FG-171A	Control Shaft
14.	FG-154	Control Shaft Spring
15.	FG-357	Cam W/Set Screw, Nut, & Stud
16.	FG-207-2	Hub

CISSELL MANUFACTURING COMPANY

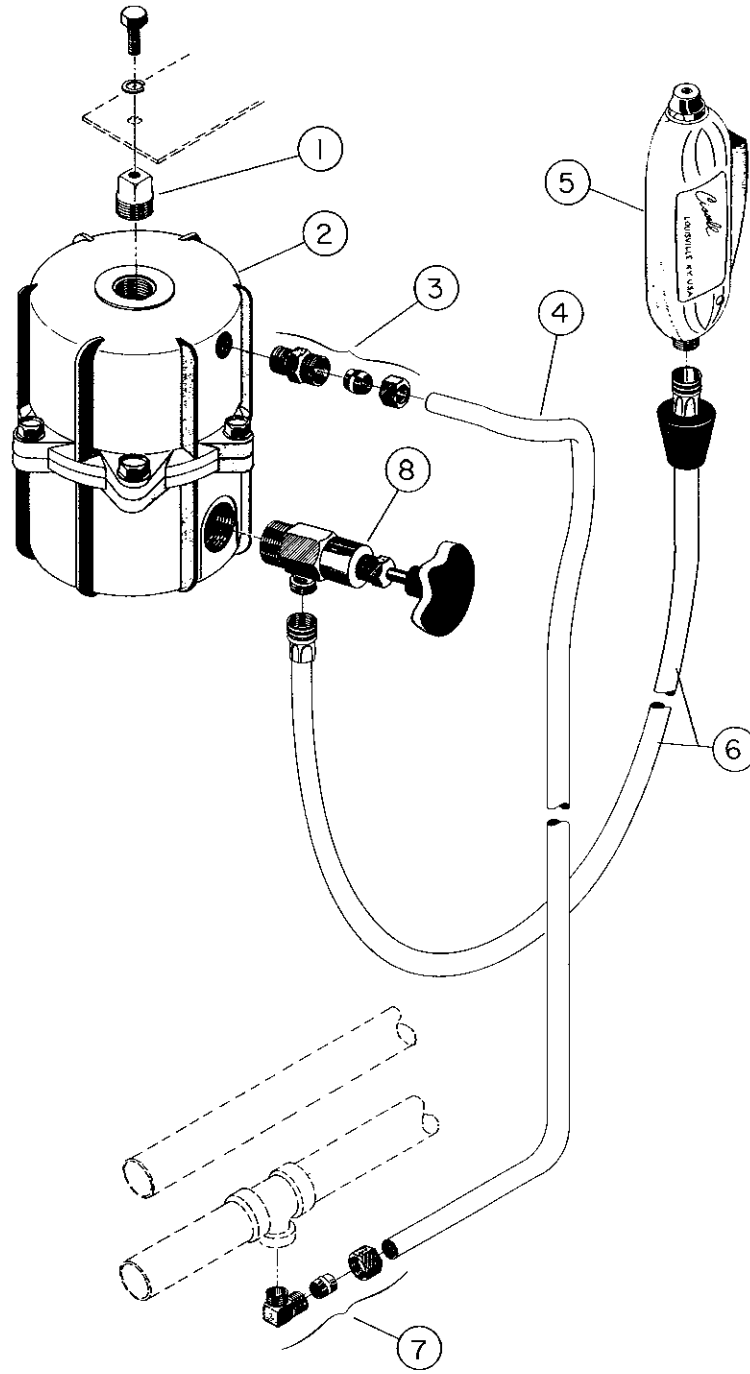
831 S. FIRST STREET • LOUISVILLE, KY., U.S.A. 40203

Foreign Distributors: Address Correspondence Attention
Export Department • Cable Code "CISSELL"
Pacific Coast Office, 4823 W. Jefferson Blvd., Los Angeles

Ask Your Distributor

When ordering, specify part number and name.

Cissell
STEAM-AIR FINISHER
MODEL FG-2
CONDENSER & SPRAYGUN



Ref. No.	Part No.	Description
1.	F-578	. Plug (For Mounting Condenser) w/screw & washer
2.	SGC-4 Form Finisher Condenser
3.	FG-339 1/8" Pipe x 5/16" Tube Straight Connector
4.	FG-340 5/16" O.D. Copper Tubing
5.	SGO-43B Water Spray Gun (See Separate Parts Sheet)
6.	SG-114 4'-4" Hose and Bumper Ass'y
7.	OP-229 90° Compression Elbow W/Nut & Bead
8.	SG-V Valve (Complete)

CISSELL MANUFACTURING COMPANY

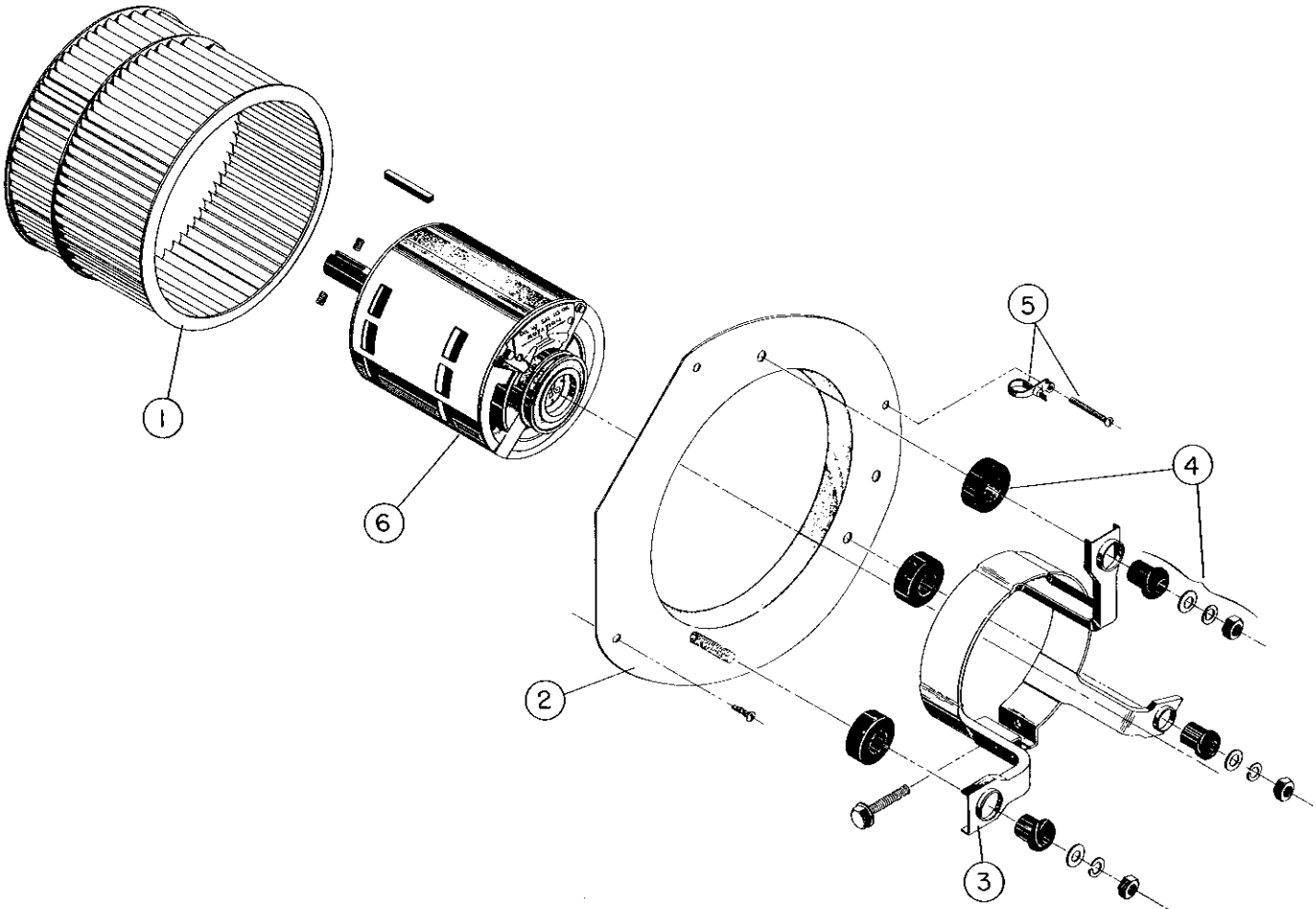
831 S. FIRST STREET • LOUISVILLE, KY., U.S.A. 40203

Foreign Distributors: Address Correspondence Attention
Export Department • Cable Code "CISSELL"
Pacific Coast Office, 4823 W. Jefferson Blvd., Los Angeles

Ask Your Distributor

When ordering, specify part number and name.

cissell
STEAM-AIR FINISHER
MODEL FG-2
BLOWER, MOTOR &
MOTOR MOUNT



Ref. No.	Part No.	Description
1.	FG-292A	Blower Wheel
2.	FG-226A	Inlet Cone W/Mtg. Screws
3.	FG-227	Motor Bracket W/Screw & Backing Plate
4.	FG-297	Motor Bracket Mtg. Hardware
5.	FG-148	Nylon Wire Harness W/Mtg. Screw (Pkg. of 6)
6.	Motor	General Electric (Give Electrical Specs)

CISSELL MANUFACTURING COMPANY

831 S. FIRST STREET • LOUISVILLE, KY., U.S.A. 40203

Foreign Distributors: Address Correspondence Attention

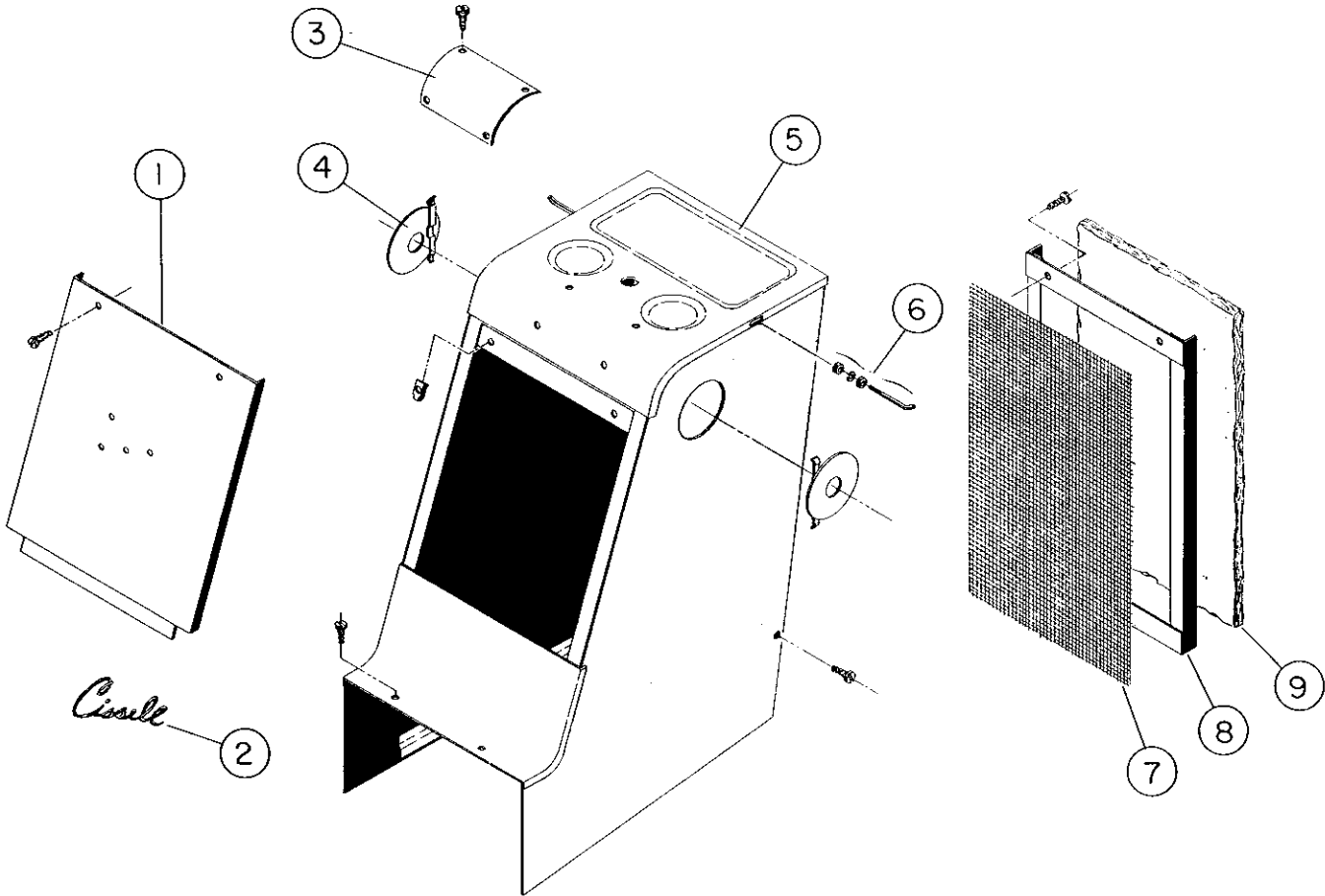
Export Department • Cable Code "CISSELL"

Pacific Coast Office, 4823 W. Jefferson Blvd., Los Angeles

Ask Your Distributor

When ordering, specify part number and name.

cissell
STEAM-AIR FINISHER
MODEL FG-2
JACKET & FILTER



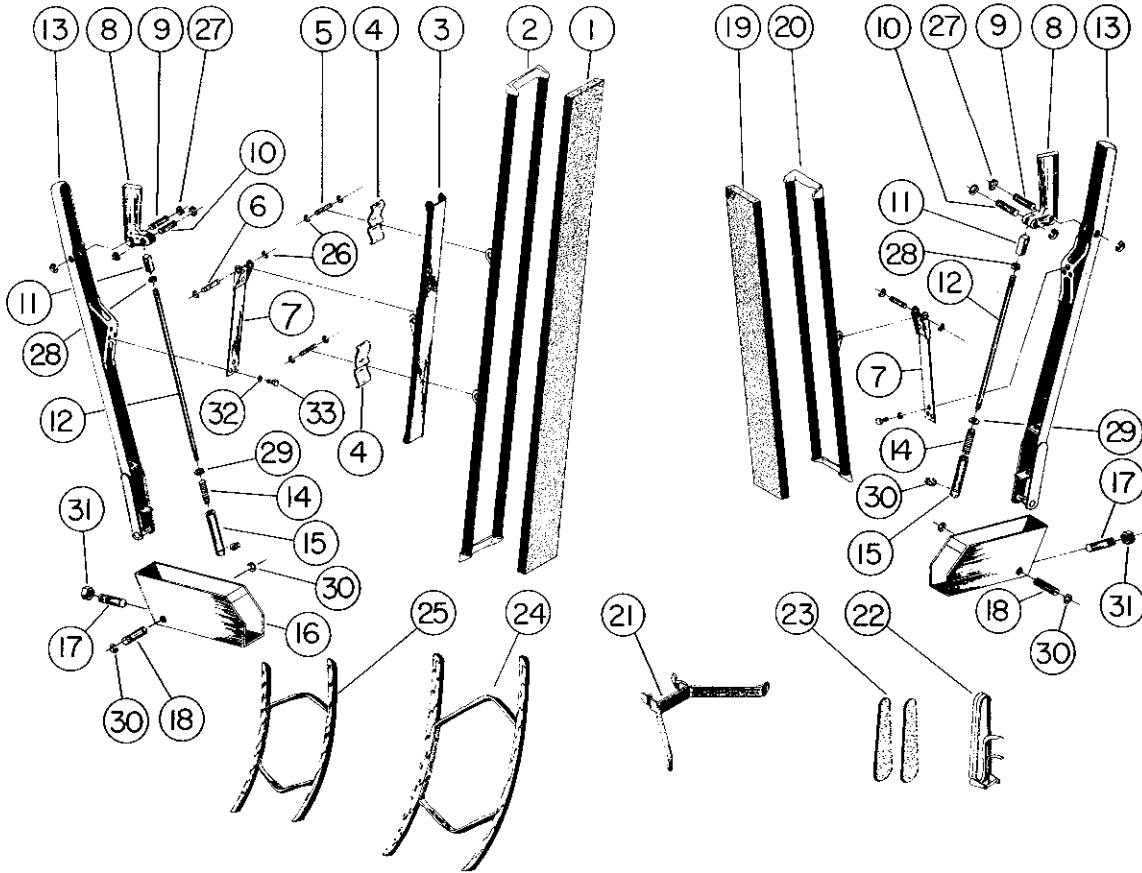
Ref. No.	Part No.	Description
1.	FG-334	Jacket Door W/Mtg. Hardware
2.	TU-2610	Cissell Script Nameplate
3.	FG-251	Operation Nameplate
4.	FG-265	Floating Control Knob Disc. (2 req'd)
5.	FG-335	Jacket (welded)
6.	FG-167	Sleever Hangers W/Mtg. Hardware (2 req'd)
7.	FG-336	Filter Screen
8.	FG-337	Filter Bracket
9.	FG-149	Removable Air Filter

CISSELL MANUFACTURING COMPANY

831 South First St.
P.O. Box 32270
Louisville, KY
40232-2270
502/587-1292
Pacific Coast Office:
4823 West Jefferson Blvd.
Los Angeles, CA 90016
213/731-2196

Foreign Distributors
write Export Dept.
Telex No. 204158
FAX No. 502-585-3625
European Headquarters:
Pantex-Cissell B.V.
P.O. Box 53, 9670 AB
Winschoten, Holland
Telex No. 53535

Cissell
STEAM-AIR FINISHER
MODEL FG2
PADDLE CLAMP ASSEMBLY

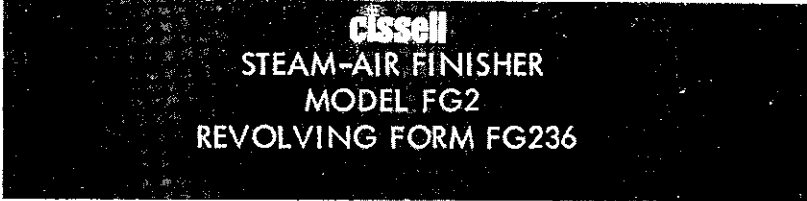


ALL HARDWARE SOLD IN "PACKAGES" OF 6 ONLY

Ref. No.	Part No.	Description	Ref. No.	Part No.	Description
	FG137	Front Paddle Ass'y 36"	17.	FG277	Stud
	FG164	Rear Paddle Ass'y 24"	18.	FG288	Pin (3/8")
1.	FG433	Sponge (36")	19.	F435	Sponge (24")
2.	FG432	Paddle Channel (36")	20.	F434	Paddle Channel (24)
3.	F237	Clamp Slide	21.	FG312	Coat Bar
4.	F243	Slide, Spring (2 Req'd)	22.	F842	Vent Clamp
5.	F515	Slide Pin (2 Req'd) (1/8")	23.	F904	Sandpaper & Sponge For F842
6.	F267	Pivot Pin (1/8")	24.	F24	#24 Sleever
7.	F218	Clamp Leaf Spring	25.	F11	#11 Sleever
8.	F104	Handle Trigger	26.	ET183	"E" Ring For 1/8" Pin
9.	F949	Handle Pin (3/16")	27.	F888	"E" Ring For 3/16" Pin
10.	F1121	Rod Hinge Pin (3/16")	28.	F122	1/4" - 28 Brass Nut
11.	F136	Rod Hinge	29.	F950	3/8" Cut Washer
12.	FG443	Latch Rod	30.	F489	"E" Ring For 3/8" Rod
13.	FG135	Handle Welded Ass'y	31.	TU4787	3/8" - 16 Hex. Nut
14.	F197	Spring	32.	FB187	#10 Split Lockwasher
15.	FG450	Latch Pin	33.	F901	#10 - 24 x 3/8" Hex. Hd. Scr.
16.	FG287	Clamp Base			

CISSELL MANUFACTURING COMPANY

831 South First St.
 P.O. Box 32270, Louisville, KY 40232-2270
 502/587-1292
 Pacific Coast Office: 4823 West Jefferson Blvd.
 Los Angeles, CA 90016 213/731-2196
 Foreign Distributors write Export Dept.
 Telex No. 204158 FAX No. 502-585-3625
 European Headquarters: Pantex-Cissell B.V., P.O. Box 53,
 9670 AB Winschoten, Holland Telex No. 53535



ALL HARDWARE SOLD IN "PACKAGES" OF 6 ONLY

Ref. No. Part No. Description

F517 ADJUSTABLE SHOULDER ASSEMBLY

F381	1.	D18	Adjusting Knob w/Roll Pin
Ass'y.	2.	F47	C. R. S. Rod
	3.	F49	Shoulder Lever Pin
	4.	F192	Pyroid Gasket 2-Req'd.
	5.	F492	Shoulder
	6.	F493	Sliding Shoulder 2-Req'd.
	7.	F336	Shoulder Connecting Link 2-Req'd.
	8.	F494	Bearing Plate
	9.	F197	Shoulder Tension Spring
	10.	F317	Shoulder Lever

FG290 REVOLVING FORM FRAME ASSEMBLY

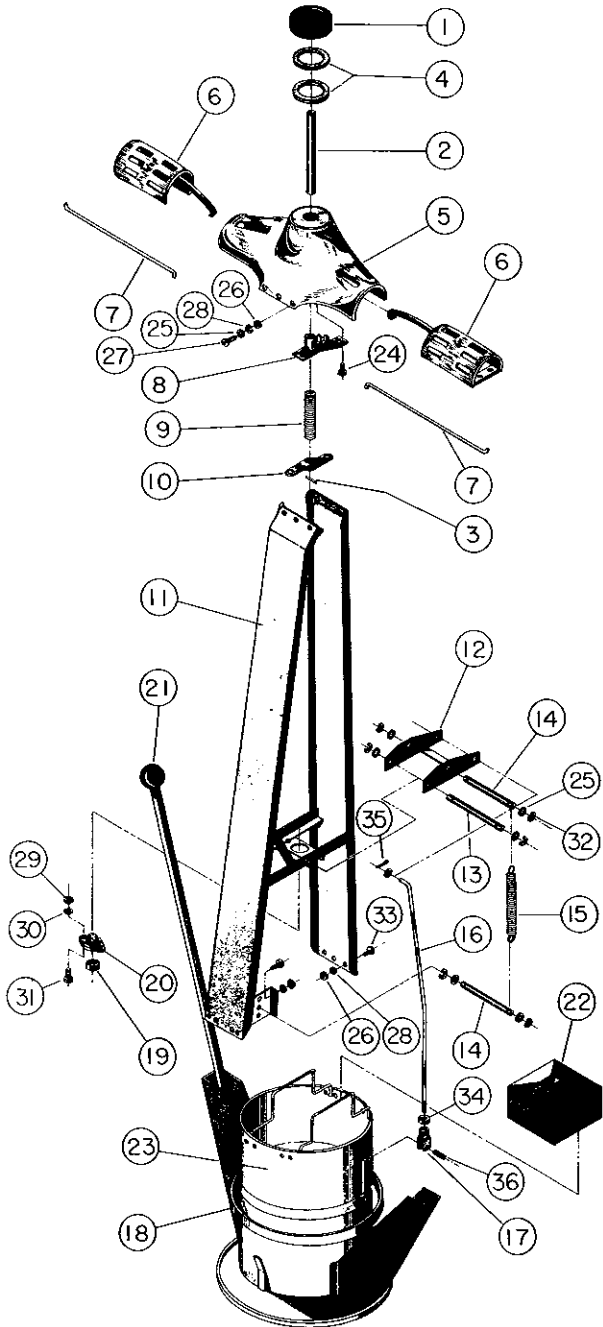
11.	FG219	Frame Ass'y.
12.	FG220	Pivot Plate Ass'y.
13.	FG222	3 5/8" x 1/4" Pin
14.	FG223	4 1/2" x 1/4" Pin 2-Req'd.
15.	TU2089	Spring 2-Req'd.
16.	FG201	Support Rod 2-Req'd.
17.	FG444	Yoke 2-Req'd.
18.	FG202	Weight Ring
19.	F279	Thrust Bearing
20.	F431	Bearing Cup

FG291 REVOLVING FORM SHELL ASS'Y.

21.	FG156	Turning Arm Knob
22.	AF207	Cloth Steam Spreader
23.	FG264	Shell Ass'y.
24.	TU3478	#8-32 x 1/2" Pan Hd. Scw.
25.	P104	1/4 Brass Cut Washer
26.	FB185	#10-24 Hex. Nut
27.	TU3477	#10-24 x 1/2" Fl. Hd. Scw.
28.	AT368	3/16" Split Lockwasher
29.	PT355	1/4"-20 S.S. Hex. Hd. Nut
30.	F860	1/4" S. S. Split Lockwasher
31.	F859	1/4"-20 x 1/2" S. S. Scw.
32.	F359	Retaining Rings
33.	TU3480	#10-24 Rd. Hd. Scw.
34.	F122	1/4"-28 Brass Nut
35.	FB201	Cotter Pin
36.	FG284	1/4" x 5/8" Roll Pin

NOT ILLUSTRATED

F833	"Genie" Nylon Bag
F816	"Genie" Net Overbag
FG310	Bag Weights 50 cy. 2" x 1 1/8" 2 req'd.
FG311	Bag Weights 60 cy. 2" x 1 1/2" 2 req'd.

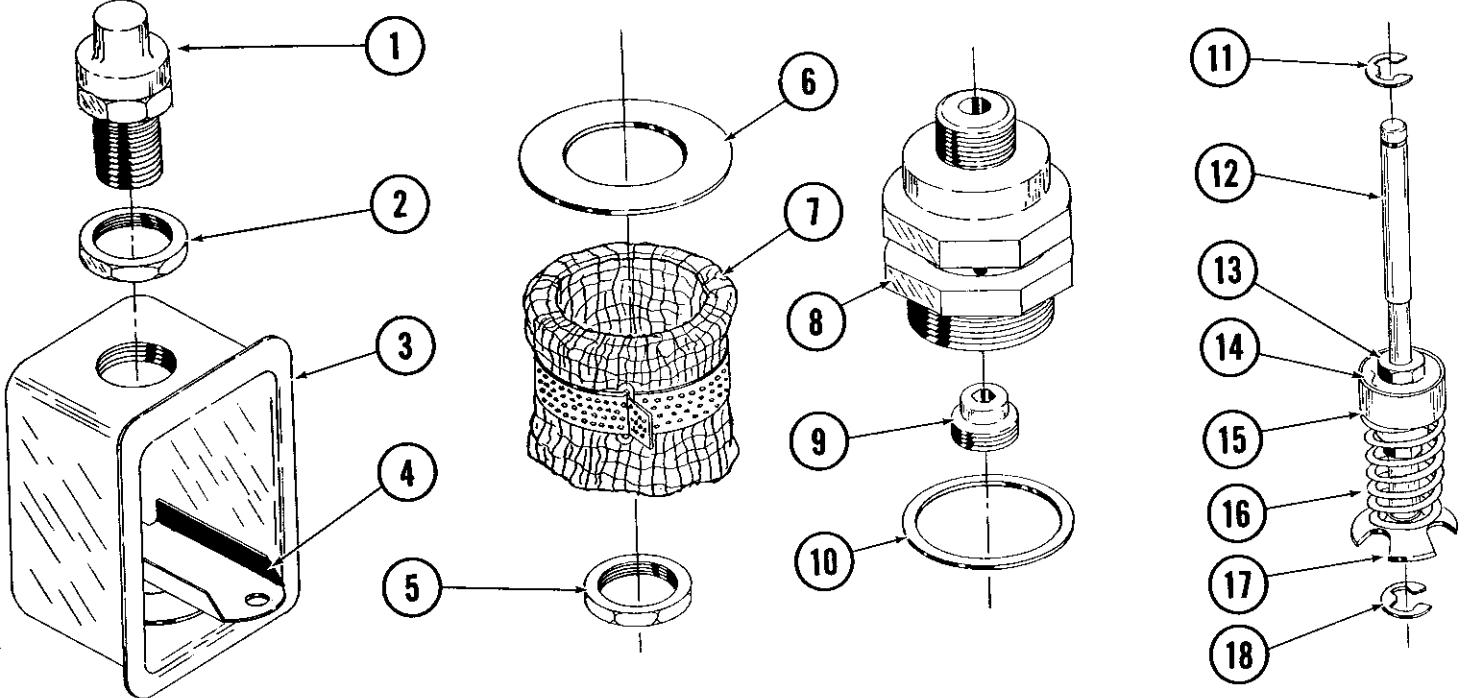


CISSELL MANUFACTURING COMPANY
 831 South First St.
 P.O. Box 32270
 Louisville, KY
 40232-2270
 502/587-1292
 Pacific Coast Office:
 4823 West Jefferson Blvd.
 Los Angeles, CA 90016
 213/731-2196

Foreign Distributors
 write Export Dept.
 Telex No. 204158
 FAX No. 502-585-3625
 European Headquarters:
 Pantex-Cissell B.V.
 P.O. Box 53, 9670 AB
 Winschoten, Holland
 Telex No. 53535



Ask Your Distributor
 When ordering, specify part number and name.



FV-110 VALVE ASSEMBLY - CONSISTS OF REF. NO.'S 8-18

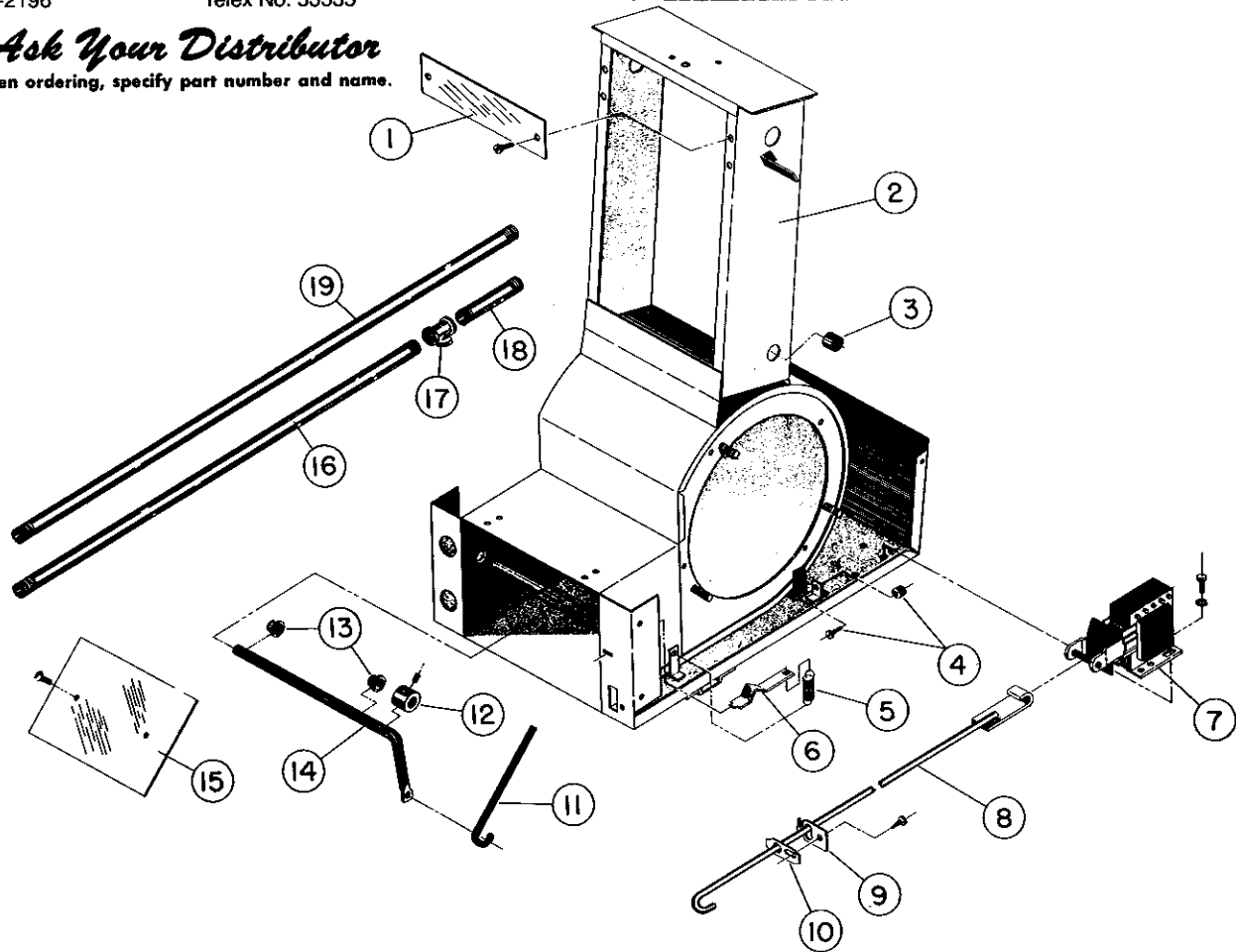
Ref. No.	Part No.	Description
1.	F-287	Bearing Adjustment Screw
2.	F-286	Bearing Locknut
3.	F-285	Bearing Support Box
4.	FV-101	Valve Lever
5.	OP-547	Locknut
6.	FV-106	Collar Retainer
7.	F-18	Metallic Steam Spreader w/Drawband and Drawband Eye
8.	FV-100	Valve Body
9.	V-36	Renewable Valve Seat
10.	P-103	Gasket (Pkg. of 6)
11.	F-359	"E" Ring (Pkg. of 6)
12.	FV-103	Valve Stem
13.	V-15	Small Locknut
14.	V-16	Teflon Disc (Pkg. of 6)
15.	FV-104	Valve Disc Holder
16.	V-330	30 lb. Spring (Pkg. of 6)
17.	FV-105	Spring Retainer
18.	F-358	"E" Ring (Pkg. of 6)

CISSELL MANUFACTURING COMPANY
 831 South First St.
 P.O. Box 32270
 Louisville, KY
 40232-2270
 502/587-1292
 Pacific Coast Office:
 4823 West Jefferson Blvd.
 Los Angeles, CA 90016
 213/731-2196

Foreign Distributors
 write Export Dept.
 Telex No. 204158
 FAX No. 502-585-3625
 European Headquarters:
 Pantex-Cissell B.V.
 P.O. Box 53, 9670 AB
 Winschoten, Holland
 Telex No. 53535

cissell
STEAM-AIR FINISHER
MODEL FG-2
REAR BASE

Ask Your Distributor
 When ordering, specify part number and name.



Ref. No.	Part No.	Description
1.	FG-329	Cover Plate
2.	FG-341	Rear Base Ass'y (Welded)
3.	F-715	Strain Relief
4.	TU3549	Rubber Bumper
5.	D-31	Spring
6.	FG-330	Friction Bar
7.	F-739	Solenoid 115V
	F-738	Solenoid 230V
8.	FG-175	Solenoid Rod Extension
9.	F-519	Nylon Seal
10.	F-520	Seal Spring
11.	FG-331	Damper Pull Rod
12.	FG-332	Nylon Friction Hub
13.	TU-49	Delrin Bearing (Pkg. of 2)
14.	FG-314	Damper Rod
15.	FG-333	Damper
16.	FG-273	1/2" Std. Black Iron Pipe 28"lg.
17.	FG-143	Reducing Tee 1/2" x 1/2" x 1/4"
18.	OP-296	1/2" Pipe Nipple
19.	FG-274	1/2" Std. Black Iron Pipe 30" lg.

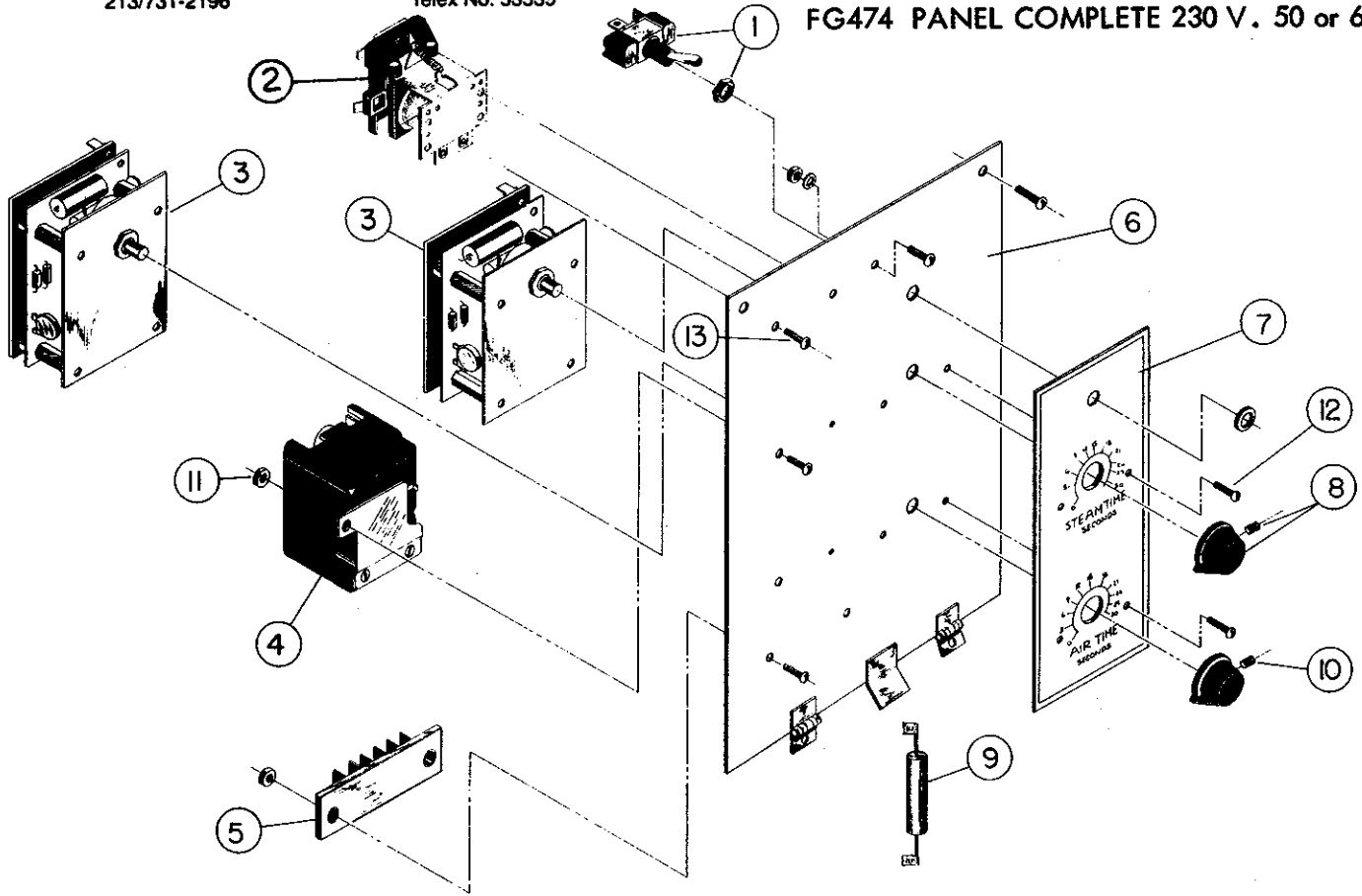
CISSELL MANUFACTURING COMPANY

831 South First St.
 P.O. Box 32270
 Louisville, KY
 40232-2270
 502/587-1292
 Pacific Coast Office:
 4823 West Jefferson Blvd.
 Los Angeles, CA 90016
 213/731-2196

Foreign Distributors
 write Export Dept.,
 Cable Code Cissell
 Telex No. 204158
 European Headquarters:
 Pantex-Cissell B.V.
 P.O. Box 53, 9670 AB
 Winschoten, Holland
 Telex No. 53535

cissell
STEAM-AIR FINISHER
MODEL FG2
Electrical Panel Assembly
With Wire Harness

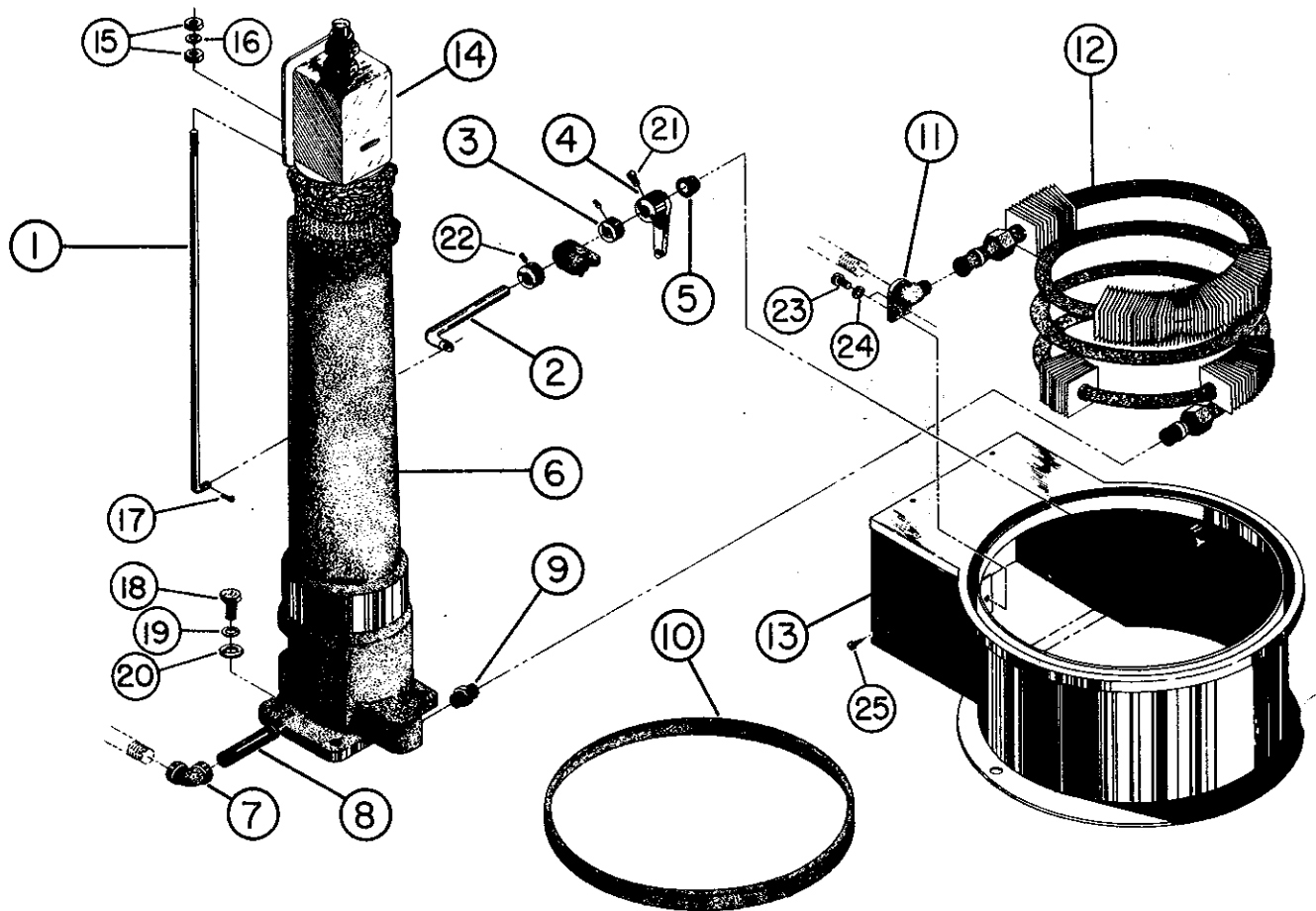
FG473 PANEL COMPLETE 115 V. 50 or 60 cy.
 FG474 PANEL COMPLETE 230 V. 50 or 60 cy.



ALL HARDWARE SOLD IN "PACKAGES" OF 6 ONLY

Ref. No.	Part No.	Description
1.	FG147	Toggle Switch w/Locking Ring
2.	TU1984	Relay 115, 50 or 60 cy.
	TU1985	Relay 230, 50 or 60 cy.
3.	FG453	Steam or Air Timer 115/230, 50 or 60 cy.
4.	FG144	Relay 115, 50 or 60 cy.
	FG233	Relay 230, 50 or 60 cy.
5.	FG325	Terminal Block Ass'y.
6.	FG326	Electrical Panel Ass'y. (Welded)
7.	F841	Steam-Air Nameplate
8.	PT118	Timer Knob (2 Req'd.)
	FG429	Wire Harness (Not Illustrated)
9.	AF194	Resistor 110 V. 200 OHM
	AF195	Resistor 220 V. 500 OHM
10.	C196	Set Screw #8-32
11.	TU3266	#8-32 Hex. Hd. Nut
12.	M262	#8-32 x 3/8" Truss Hd.
13.	LB291	#6-32 x 3/8" Round Hd.

cissell
STEAM-AIR FINISHER
MODEL FG2
SHALLOW BASE FG318



ALL HARDWARE SOLD IN "PACKAGES" OF 6 ONLY

Ref. No.	Part No.	Description	Ref. No.	Part No.	Description
1.	F149	Steam Valve Pull Rod	14.		See Separate Parts Sheet
2.	FG320	Extension Bar	15.	F122	1/4"-28 Brass Nut
3.	F215	Set Collar, 2 req'd	16.	RC349	1/4" Lockwasher
4.	FG275	Steam Valve Lever Ass'y	17.	V2	1/16" x 1/2" Cotter Pin
5.	TU49	Delrin Bearing	18.	IB139	3/8" x 1 1/4" Hex. Hd. Scw.
6.	F539	Stm. Chamber	19.	VSBI34	3/8" Split Lockwasher
7.	TU4593	1/2" x 90° Pipe Elbow	20.	IB140	3/8" Flat Washer
8.	LB20	1/2" Pipe Nipple 3" Long	21.	F819	5/16"-18-5/8" Sq. Hd. Set Scw.
9.	FG319	Stm. Coil Adapter	22.	P126	1/4"-20 x 1/4" Set Scw.
10.	F357	Felt Air Seal	23.	TU3210	5/16"-18 x 5/8" Hex. Scw.
11.	FG321	Steam Manifold	24.	TU2814	5/16" Split Lockwasher
12.	FG322	Steam Coil	25.	TU2793	#8 x 5/8" S.M.S.
13.	FG323	Shallow Base Welded Ass'y			