

Genie Form Finisher Continued...

Genie (FG2)

UNITS WITH FRONT PADDLE CLAMP

| MODEL | VOLTAGE |
|--------------|----------------|
| AHA10 | 115V/60/1 |
| AHA11 | 230V/60/1 |
| AHA21 | 220V/50/1 |

UNITS WITH FRONT AND REAR PADDLE CLAMP

| MODEL | VOLTAGE |
|--------------|----------------|
| AHA30 | 115V/60/1 |
| AHA31 | 230V/60/1 |
| AHA41 | 220V50/1 |

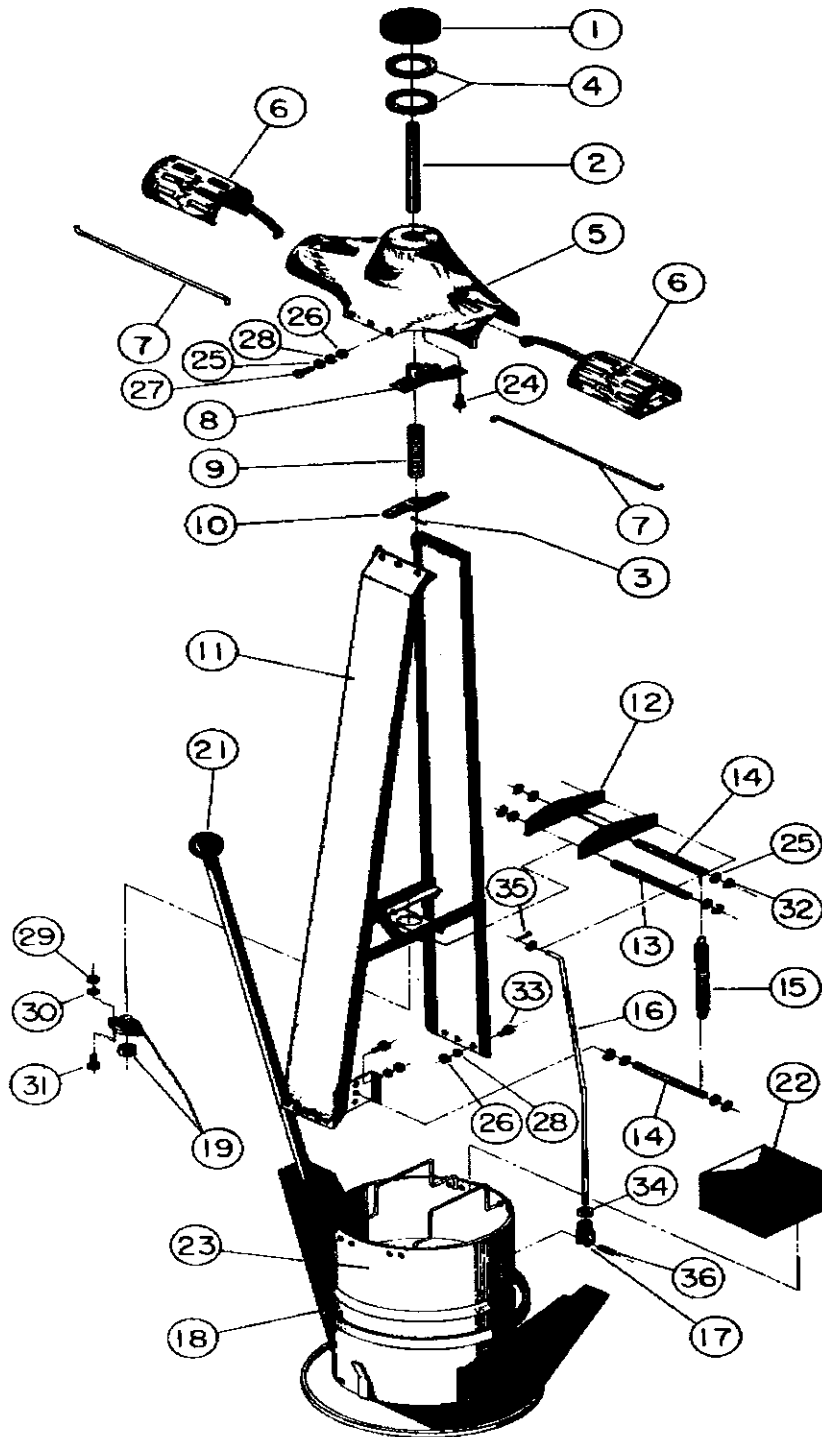
UNITS WITHOUT FRONT OR REAR PADDLE CLAMP

| MODEL | VOLTAGE |
|--------------|----------------|
| AHA50 | 115V/60/1 |
| AHA51 | 230V/60/1 |
| AHA61 | 220V/50/1 |

Accessories

| PART # | DESCRIPTION |
|---------------|--------------------------------|
| F11 | 11" WOODEN SLEEVE |
| F24 | 24" WOODEN SLEEVE |
| FG310 | BAG WEIGHT - 50 CYCLE |
| FG311 | BAG WEIGHT - 60 CYCLE |
| F833 | NYLON BAG ASSEMBLY |
| F816 | MESH OVER BAG |
| F842 | VENT CLAMP |
| AP114 | DISC TRAP 1/2" STAINLESS STEEL |

Genie Form Finisher Continued...



GENIE REVOLVING FORM ASSEMBLY

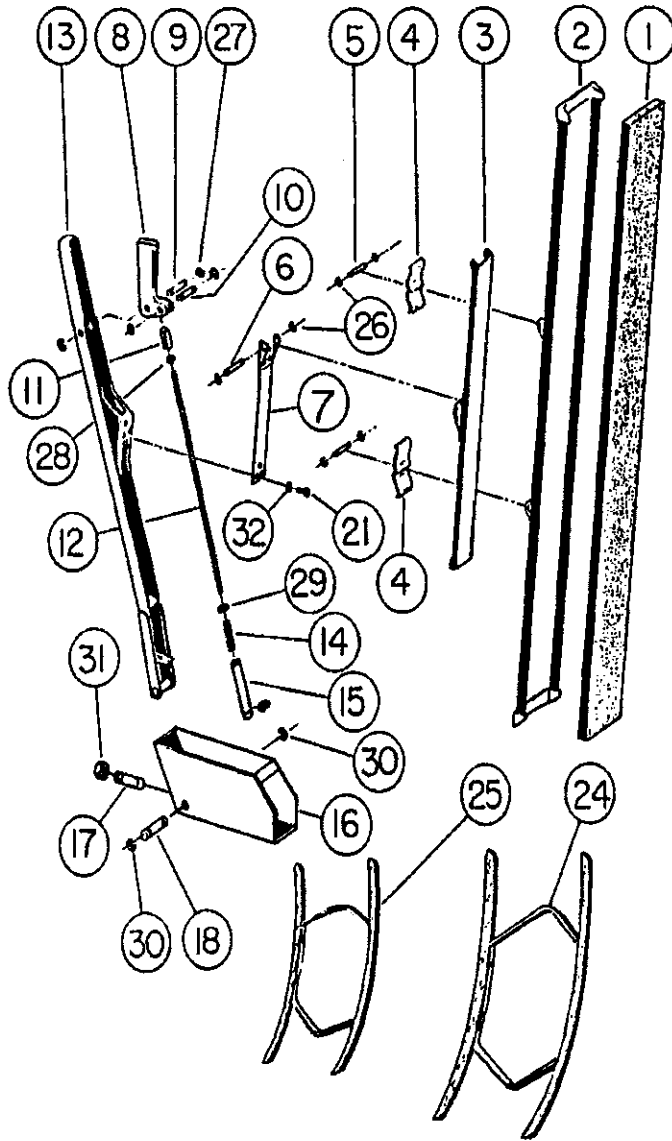
See next page for parts break-out

Genie Form Finisher Continued...

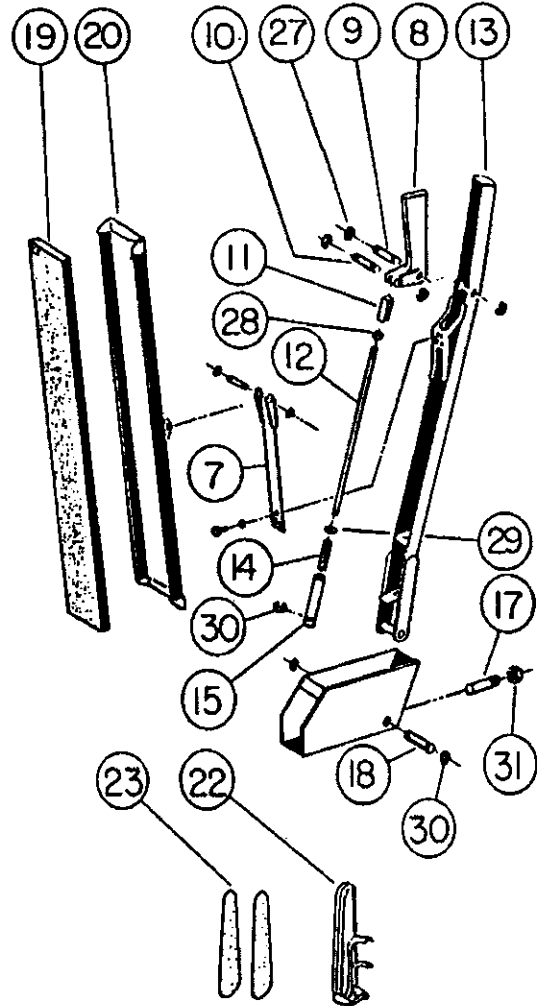
REVOLVING FORM ASSEMBLY PARTS

| ITEM # | PART # | DESCRIPTION |
|--------|--------|--|
| 1-2 | F381 | ADJUSTING KNOB W/ROLL PIN AND C.R.S. ROD |
| 3 | F49 | SHOULDER LEVER PIN (PKG OF 6) |
| 4 | F192 | PYROID GASKET |
| 5 | F492H | SHOULDER |
| 6 | F493 | SLIDING SHOULDER |
| 7 | F336 | SHOULDER CONNECTING LINK |
| 8 | F494H | BEARING PLATE |
| 9 | F197 | SHOULDER TENSION SPRING |
| 10 | F317 | SHOULDER LEVER |
| | F517 | ADJUSTABLE SHOULDER ASSY (INCLUDES ITEMS 1-10) |
| 11 | FG219 | FRAME ASSEMBLY |
| 12 | FG220 | PIVOT PLATE ASSEMBLY |
| 13 | FG222 | PIN |
| 14 | FG223 | PIN |
| 15 | TU2089 | SPRING |
| 16 | FG201 | SUPPORT ROD |
| 17 | FG444 | YOKE |
| 18 | FG202 | WEIGHT RING |
| 19 | F289 | BEARING ASSEMBLY |
| 21 | FG156 | TURNING ARM KNOB |
| 22 | AF207 | CLOTH STEAM SPREADER |
| 23 | FG264 | SHELL ASSEMBLY |
| 24 | TU3478 | PAN HEAD SCREW (PKG OF 6) |
| 25 | P104 | BRASS CUT WASHER (PKG OF 6) |
| 26 | FB185 | HEX NUT (PKG OF 6) |
| 27 | TU3477 | FLAT HEAD SCREW (PKG OF 6) |
| 28 | M271 | SPLIT LOCKWASHER (PKG OF 6) |
| 29 | PT355 | S.S. HEX HEAD NUT (PKG OF 6) |
| 30 | F860 | S.S. SPLIT LOCKWASHER (PKG OF 6) |
| 31 | F859 | S.S. SCREW (PKG OF 6) |
| 32 | F359 | RETAINING RINGS (PKG OF 6) |
| 33 | TU3480 | RD. HEAD SCREW (PKG OF 6) |
| 34 | F122 | BRASS NUT |
| 35 | FB201 | COTTER PIN (PKG OF 6) |
| 36 | FG284 | ROLL PIN (PKG OF 6) |
| | F833 | GENIE NYLON BAG |
| | F816 | GENIE NET OVERBAG |
| | FG310 | BAG WEIGHTS 50 CY. 2" X 1 1/8" |
| | FG311 | BAG WEIGHTS 60 CY. 2" X 1 1/2" |

Genie Form Finisher Continued...



FRONT PADDLE ASSEMBLY



REAR PADDLE ASSEMBLY

See next page for parts break-out

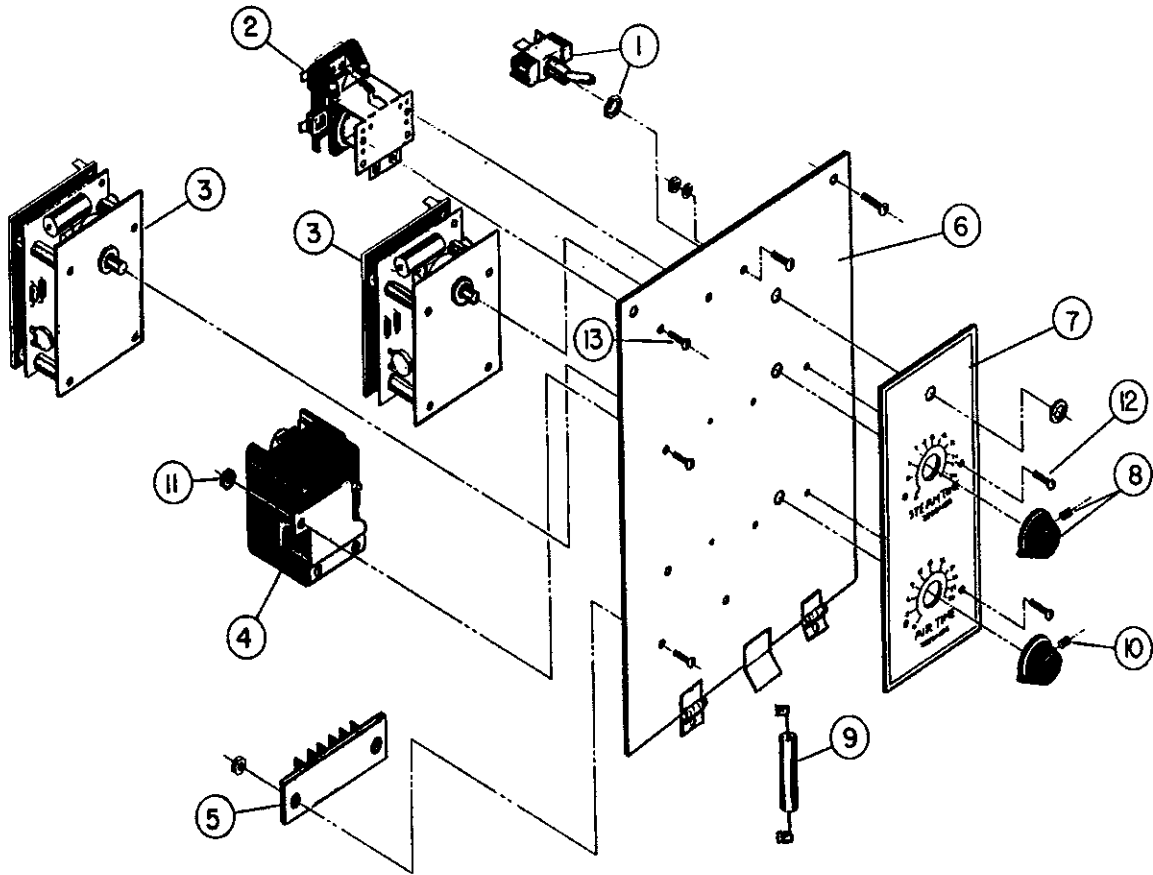
Genie Form Finisher Continued...

FRONT AND REAR PADDLE ASSEMBLY PARTS

| ITEM # | PART # | DESCRIPTION |
|--------|---------|-----------------------------------|
| | FG137WH | FRONT PADDLE ASSEMBLY 36" |
| | FG164WH | REAR PADDLE ASSEMBLY 24" |
| 1 | F433 | SPONGE (36") |
| 2 | F432 | PADDLE CHANNEL (36") |
| 3 | F237 | CLAMP SLIDE |
| 4 | F243 | SLIDE, SPRING (2 REQUIRED) |
| 5 | F240 | SLIDE PIN (1/8") (2 REQUIRED) |
| 6 | F267 | PIVOT PIN (1/8") |
| 7 | F218 | CLAMP LEAF SPRING |
| 8 | F104 | HANDLE TRIGGER |
| 9 | F949 | HANDLE PIN (3/16") |
| 10 | F1121 | ROD HINGE PIN (3/16") (PKG OF 6) |
| 11 | F136 | ROD HINGE |
| 12 | FG443 | LATCH ROD |
| 13 | FG135 | HANDLE WELDED ASSEMBLY |
| 14 | F197 | SPRING |
| 15 | FG450 | LATCH PIN |
| 16 | FG287 | CLAMP BASE |
| 17 | FG277 | STUD |
| 18 | FG288 | PIN |
| 19 | F435 | SPONGE (24") |
| 20 | F434 | PADDLE CHANNEL (24) |
| 21 | F901 | HEX HEAD SCREW (PKG OF 6) |
| 22 | F842 | VENT CLAMP |
| 23 | F904 | SPONGE SET FOR F842 |
| 24 | F24 | #24 SLEEVE |
| 25 | F11 | 11" SLEEVE |
| 26 | ET183 | "E" RING FOR 1/8" PIN (PKG OF 6) |
| 27 | F888 | "E" RING FOR 3/16" PIN (PKG OF 6) |
| 28 | F122 | BRASS NUT |
| 29 | F950 | CUT WASHER (PKG OF 6) |
| 30 | F489 | "E" RING FOR 3/8" ROD (PKG OF 6) |
| 31 | TU4787 | HEX NUT (PKG OF 6) |
| 32 | FB187 | SPLIT LOCKWASHER (PKG OF 6) |

All Paddle Clamps will be furnished in white unless otherwise specified.

Genie Form Finisher Continued...



ELECTRICAL CONTROL PANEL ASSEMBLY

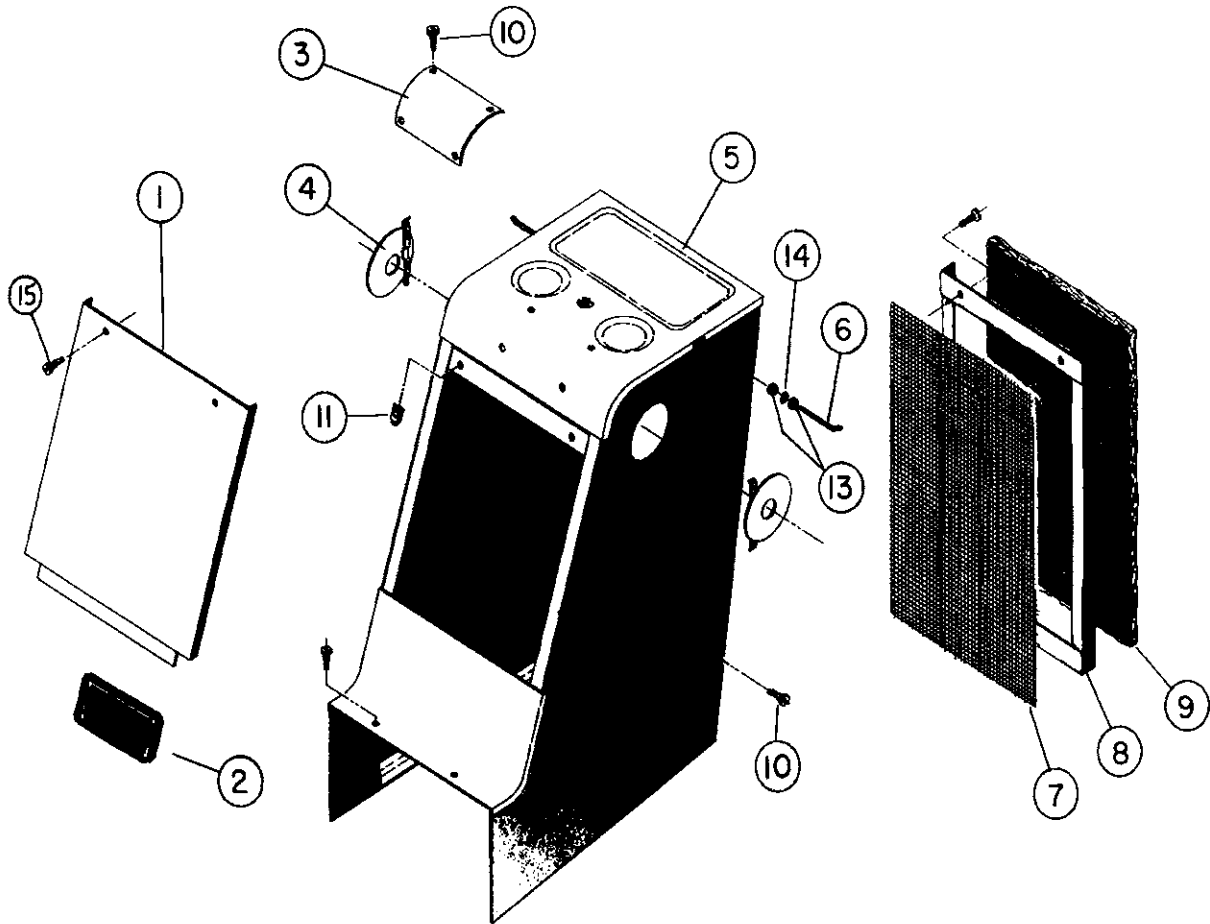
| ITEM # | PART # | DESCRIPTION |
|--------|---------|--|
| 1 | FG147 | TOGGLE SWITCH WITH LOCKING RING |
| 2 | TU13224 | RELAY 115, 50 OR 60 CYCLE |
| | TU13225 | RELAY 230, 50 OR 60 CYCLE |
| 3 | FG453 | STEAM OR AIR TIMER 115/230, 50 OR 60 CYCLE |
| 4 | FG144 | RELAY 115, 50 OR 60 CYCLE |
| | FG233 | RELAY 230, 50 OR 60 CYCLE |
| 5 | FG325 | TERMINAL BLOCK ASSEMBLY |
| 6 | FG471 | ELECTRICAL PANEL ONLY |
| 7 | F841 | STEAM-AIR NAMEPLATE |
| 8 | PT118 | TIMER KNOB (2 REQUIRED) |
| 9 | AF194 | RESISTOR 110 VOLT, 200 OHM |
| | AF195 | RESISTOR 220 VOLT, 500 OHM |
| 10 | C196 | SET SCREW #8 - 32 (PKG OF 6) |
| 11 | TU3266 | HEX HEAD NUT (PKG OF 6) |
| 12 | M262 | TRUSS HEAD (PKG OF 6) |
| 13 | LB291 | ROUND HEAD (PKG OF 6) |
| | FG473 | PANEL COMPLETE 115V/50/60/1 |
| | FG474 | PANEL COMPLETE 230V/50/60/1 |

Genie Form Finisher Continued...

REAR BASE ASSEMBLY PARTS

| ITEM # | PART # | DESCRIPTION |
|--------|--------|-----------------------------------|
| 1 | FG329 | COVER PLATE |
| 2 | FG341 | REAR BASE ASSEMBLY (WELDED) |
| 3 | F715 | STRAIN RELIEF |
| 4 | TU3549 | RUBBER BUMPER (PKG OF 3) |
| 5 | D31 | SPRING |
| 6 | FG330 | FRICITION BAR |
| 7 | F739H | SOLENOID 115 VOLT |
| | F738H | SOLENOID 230 VOLT |
| 8 | FG175 | SOLENOID ROD EXTENSION |
| 9 | F520 | SEAL SPRING |
| 10 | F519 | NYLON SEAL |
| 11 | FG331 | DAMPER PULL ROD |
| 12 | FG332 | NYLON FRICTION HUB |
| 13 | TU49 | DELRIN BEARING (PKG OF 2) |
| 14 | FG314 | DAMPER ROD |
| 15 | FG333 | DAMPER |
| 16 | FG273 | STD. BLACK IRON PIPE 28 1/2" LONG |
| 17 | FG143 | REDUCING TEE |
| 18 | OP296 | PIPE NIPPLE |
| 19 | FG274 | STD. BLACK IRON PIPE 30" LONG |
| 20 | SB170 | JUNCTION BOX COVER |
| 21 | F779 | RATING PLATE |
| 22 | SV80 | SLOTTED HEX. HD. SCREW (PKG OF 6) |
| 23 | TU2846 | SPLIT LOCKWASHER (PKG OF 6) |
| 24 | M263 | SHEET METAL SCREW (PKG OF 6) |
| 25 | CB36 | HEX. HEAD SCREW (PKG OF 6) |
| 26 | P126 | SET SCREW (PKG OF 6) |
| 27 | RC385 | RD. HEAD SCREW (PKG OF 6) |

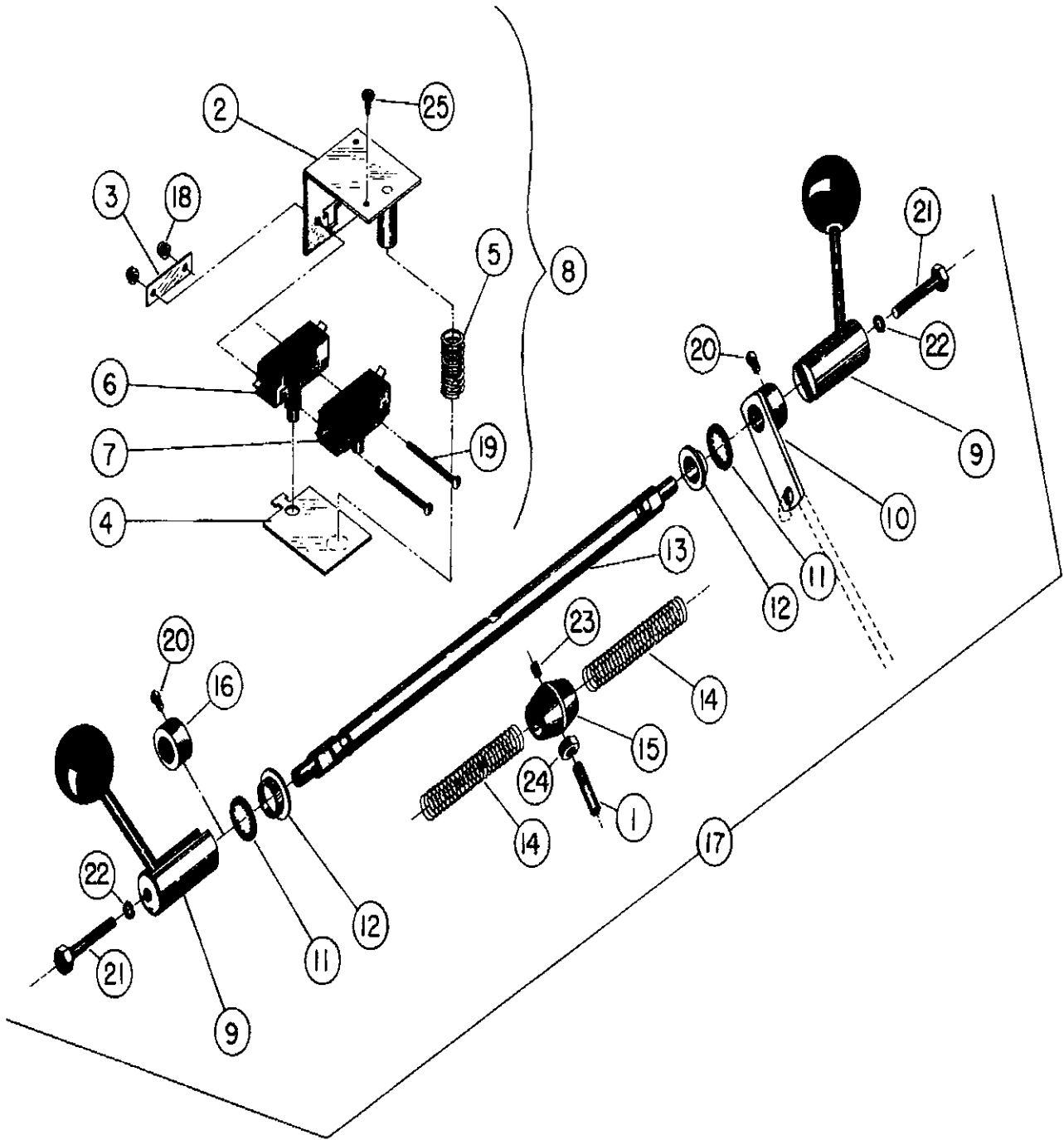
Genie Form Finisher Continued...



JACKET AND FILTER ASSEMBLY PARTS

| ITEM # | PART # | DESCRIPTION |
|--------|--------|------------------------------|
| 1 | FG334 | JACKET DOOR |
| 2 | TU8013 | CISSELL NAMEPLATE |
| 3 | FG251 | OPERATION NAMEPLATE |
| 4 | FG265 | FLOATING CONTROL KNOB DISC |
| 5 | FG335 | JACKET |
| 6 | FG167 | SLEEVE HANGERS |
| 7 | FG336 | FILTER SCREEN |
| 8 | FG337 | FILTER BRACKET |
| 9 | FG149 | REMOVABLE AIR FILTER |
| 10 | M263 | SHEET METAL SCREW (PKG OF 6) |
| 11 | FG344 | SPEED NUT |
| 12 | TU3147 | SPEED NUT (PKG OF 6) |
| 13 | TU4934 | HEX. HEAD NUT (PKG OF 6) |
| 14 | TU2846 | SPLIT LOCKWASHER (PKG OF 6) |
| 15 | FG343 | SCREW |
| | FG347 | JACKET ASSEMBLY COMPLETE |

Genie Form Finisher Continued...



CONTROL SHAFT & SWITCH ASSEMBLY

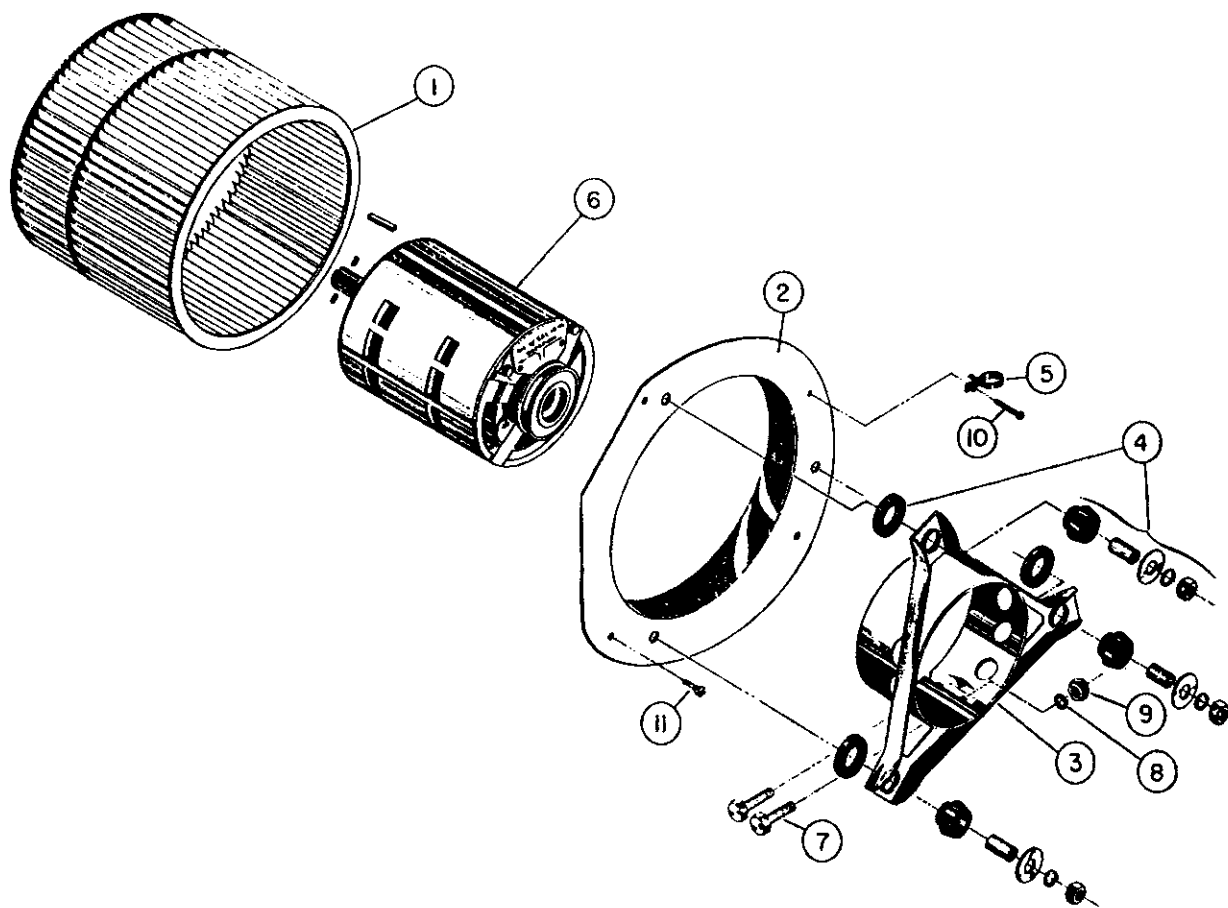
See next page for parts break-out

Genie Form Finisher Continued...

CONTROL SHAFT & SWITCH ASSEMBLY PARTS

| ITEM # | PART # | DESCRIPTION |
|--------|--------|---|
| 1 | FG360 | STUD |
| 2 | FG351 | SWITCH MOUNTING BRACKET W/MOUNTING HDWR |
| 3 | FG352 | RETAINING PLATE |
| 4 | FG353 | SWITCH ACTUATOR PLATE |
| 5 | FG315 | SPRING (PKG OF 6) |
| 6 | FG140 | STEAM SWITCH |
| 7 | FG355 | AIR SWITCH |
| 8 | FG356 | AIR AND STEAM SWITCH ASSEMBLY |
| 9 | FG293 | CONTROL KNOB ASSEMBLY BOLT & LOCKWASHER |
| 10 | FG358 | DAMPER CONTROL LEVER |
| 11 | FG249 | PUSH-ON RETAINING RING (PKG OF 6) |
| 12 | IB76 | DELTRIN BEARING |
| 13 | FG171 | CONTROL SHAFT |
| 14 | FG154 | CONTROL SHAFT SPRING |
| 15 | FG357 | CAM |
| 16 | FG364 | HUB |
| 17 | FG348 | CONTROL SHAFT ASSEMBLY |
| 18 | FG359 | SELF-LOCKING NUT (PKG OF 6) |
| 19 | FG354 | MACHINE SCREW (PKG OF 6) |
| 20 | F819 | SQ. HEAD SET SCREW (PKG OF 6) |
| 21 | FB190 | HEX. HEAD CAP SCREW (PKG OF 6) |
| 22 | TU2846 | SPLIT LOCKWASHER (PKG OF 6) |
| 23 | TU3282 | SET. SCREW (PKG OF 6) |
| 24 | C249 | HEX. NUT (PKG OF 6) |
| 25 | M263 | SHEET METAL SCREW (PKG OF 6) |

Genie Form Finisher Continued...



MOTOR AND BLOWER ASSEMBLY PARTS

| ITEM # | PART # | DESCRIPTION |
|--------|--------|---------------------------------|
| 1 | FG292 | BLOWER WHEEL |
| 2 | FG226 | INLET CONE |
| 3 | AT305 | MOTOR BRACKET |
| 4 | AF130 | MOTOR BRACKET MOUNTING HARDWARE |
| 5 | FG148 | NYLON WIRE CLAMP (PKG OF 6) |
| 6 | *MTR88 | MOTOR 115/230/60/50/1 |
| 7 | FB124 | CAP SCREW (PKG OF 6) |
| 8 | TU2814 | SPLIT LOCKWASHER (PKG OF 6) |
| 9 | C249 | HEX NUT (PKG OF 6) |
| 10 | TU2793 | SHEET METAL SCREW (PKG OF 6) |
| 11 | M263 | SHEET METAL SCREW (PKG OF 6) |

*For other voltages, please consult the factory

PARTS EXPRESS: 1-800-882-6665 FAX: 1-800-861-6665