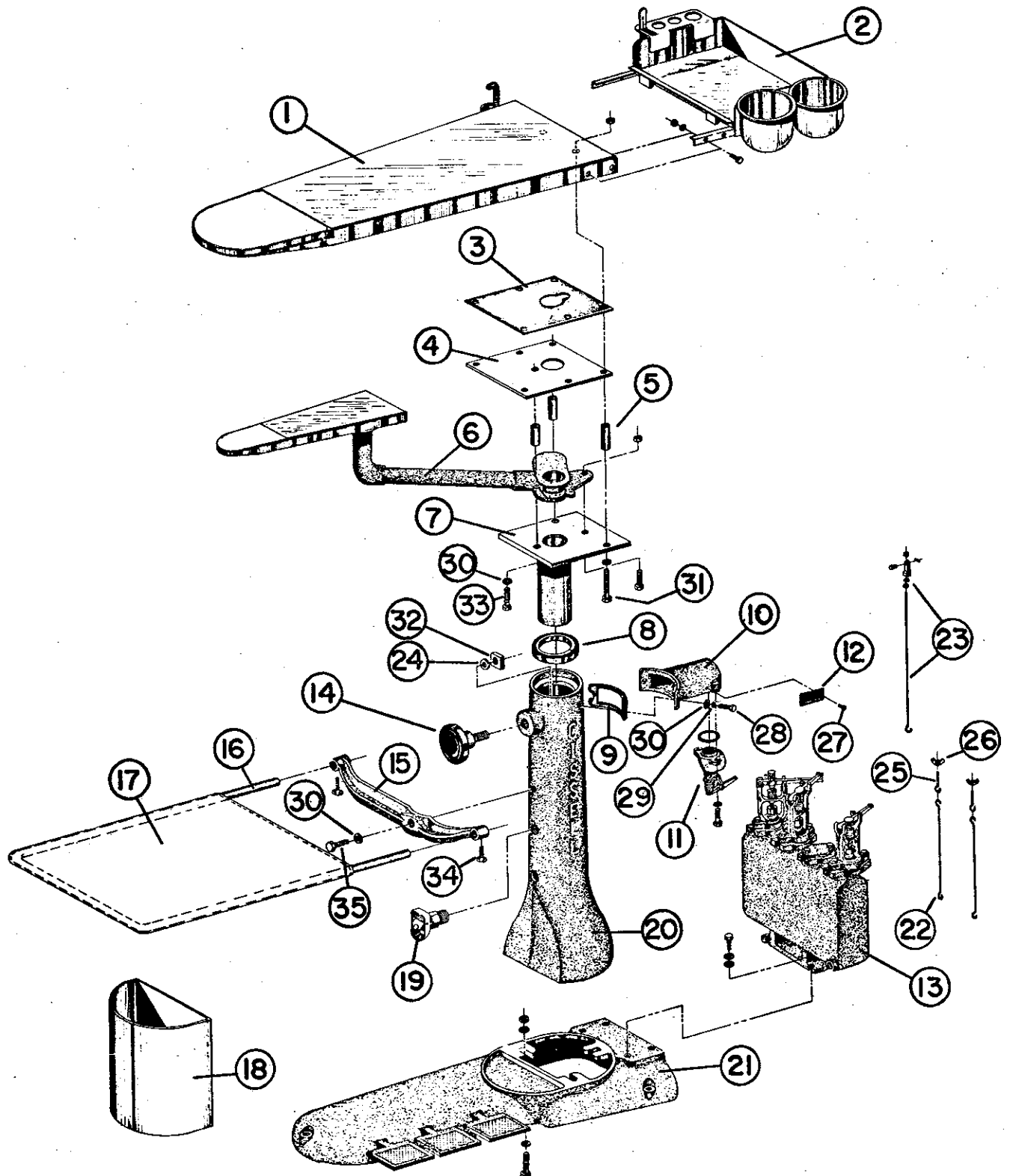
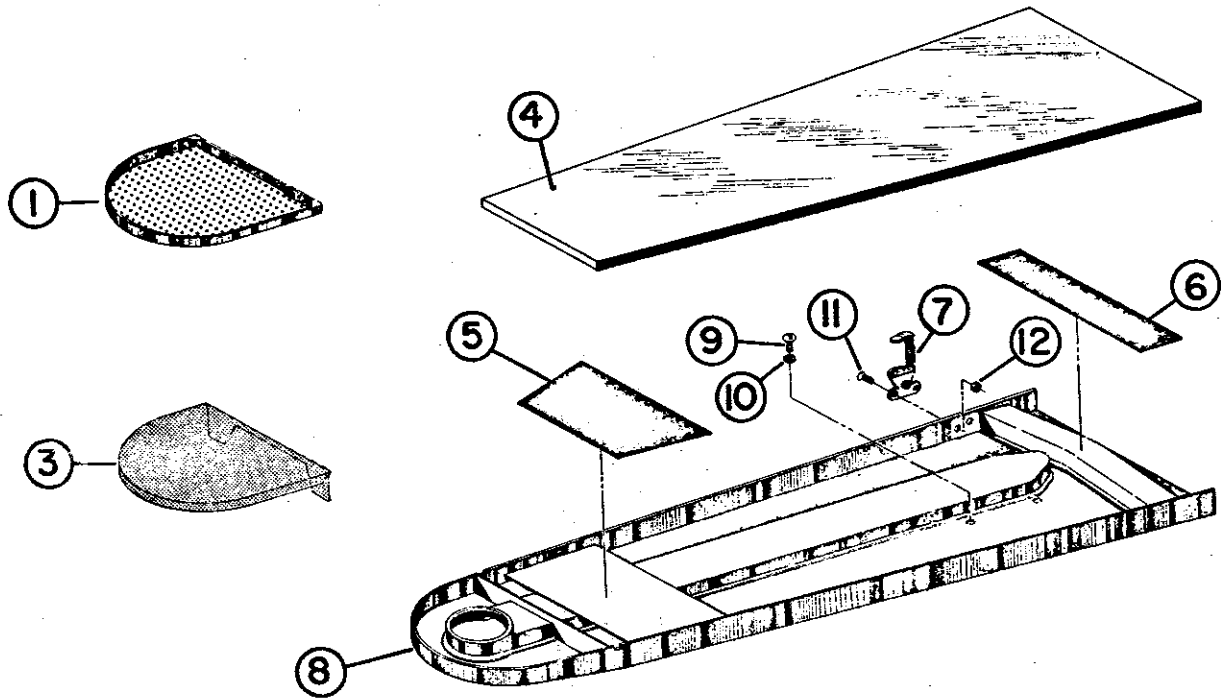


VACUUM SPOTTING BOARD
MODEL 'A'
PARTS & ASSEMBLY

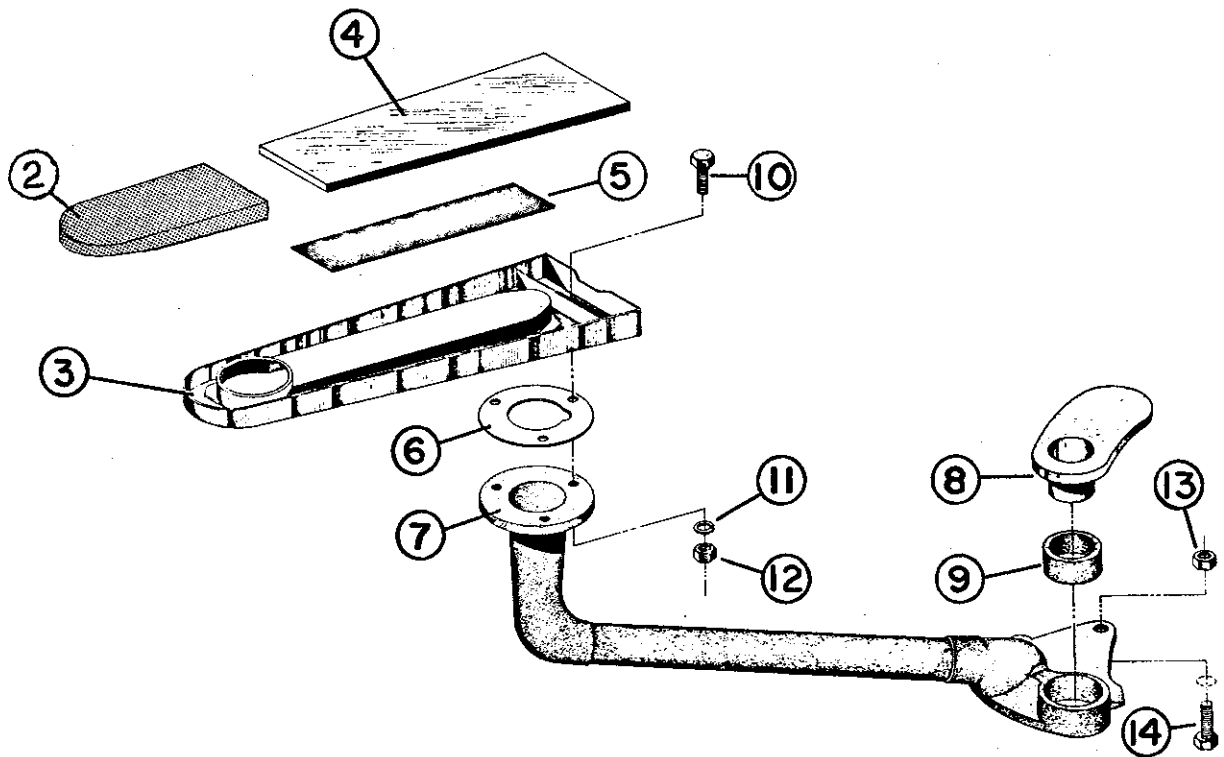


<u>Reference No.</u>	<u>Part Number</u>	<u>Description</u>
1	---	See Page 9
2	---	See Page 12
3	VSB20	Gasket
4	VSB9	Upper Stainless Plate
5	VSB18	Spacer (3 req'd)
6	---	See Page 10
7	VSB109	Pipe & Lower Plate
8	VSB47	Rubber Seal
9	VSB16	Gasket
10	VSB5	Vacuum Chamber Casting
11	---	See Page 16
12	F1116	Ser. No. Tag
13	---	See Pages 13 - 14
14	SF22	Knob
15	VSB8	Tray Bracket
16	VSB105	Tray Rod
17	SF28	Tray Cover
18	VSB59	Drain Receptacle
19	VSB48	Check Valve Assembly
20	VSB2	Column
21	---	See Page 15
22	VSB31	16" Pedal Rod
23	---	See Page 16
24	VSB170	Rubber Gasket
25	J10	3/16" x 3 Eye Bolt
26	VSB154	#10-24 Wing Nut
27	M263	#8-3/8 Sheet Metal Screw
28	FB124	5/16" Hex. Hd. Cap Screw
29	TU2814	5/16" Lock Washer
30	VSB130	5/16" Cut Washer
31	VSB87	5/16"-8x3" Bolts
32	IB145	5/8"-11 Hex. Nut Sq.
33	VSB88	5/16" x 18 Hex. Hd. Cap Screw
34	IB10	5/16"-18 Thumb Screw
35	IB139	3/8x16 Hex. Hd. Cap Screw
36	C249	5/16" x 18 Hex Nut



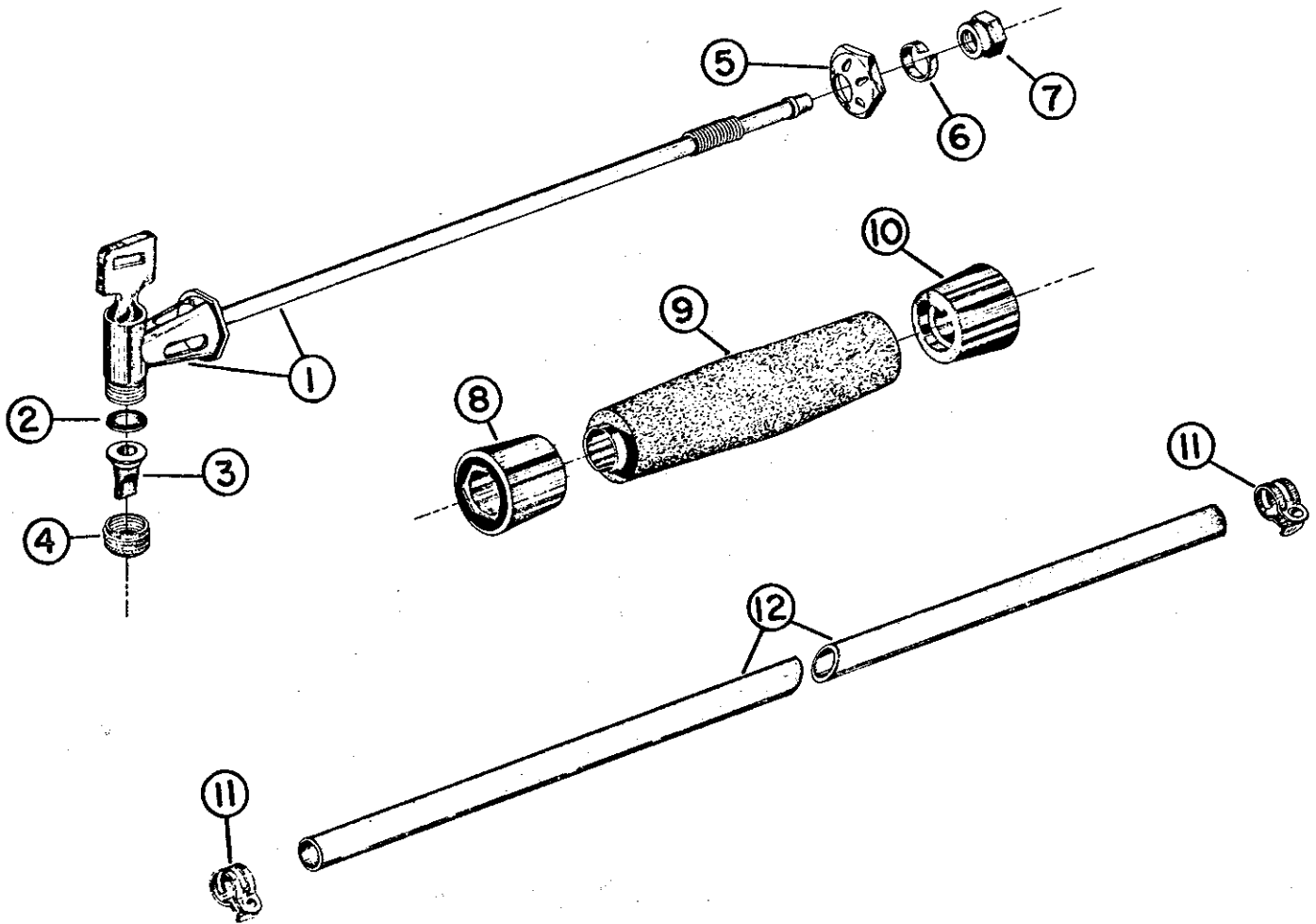
VACUUM SPOTTING BOARD
 MODEL "A"
 LARGE PAN PARTS

<u>Reference No.</u>	<u>Part Number</u>	<u>Description</u>
1	VSB182	Spotting Nose w/Band & Spring
2		
3	VSB22	Large Perforated Nose
4	VSB175	Large Green Glass
5	VSB176	Front Pad
6	VSB173	Rear Pad
7	VSB15	Drip Cup Casting
8	VSB52	Large Pan Complete
9	VSB95	5/16"-18 Rd. Hd. Screw
10	VSB171	5/16" Lead Washer
11	VSB155	1/4"-20 Flat Hd. Screw
12	PT355	1/4"-20 Hex. Nut



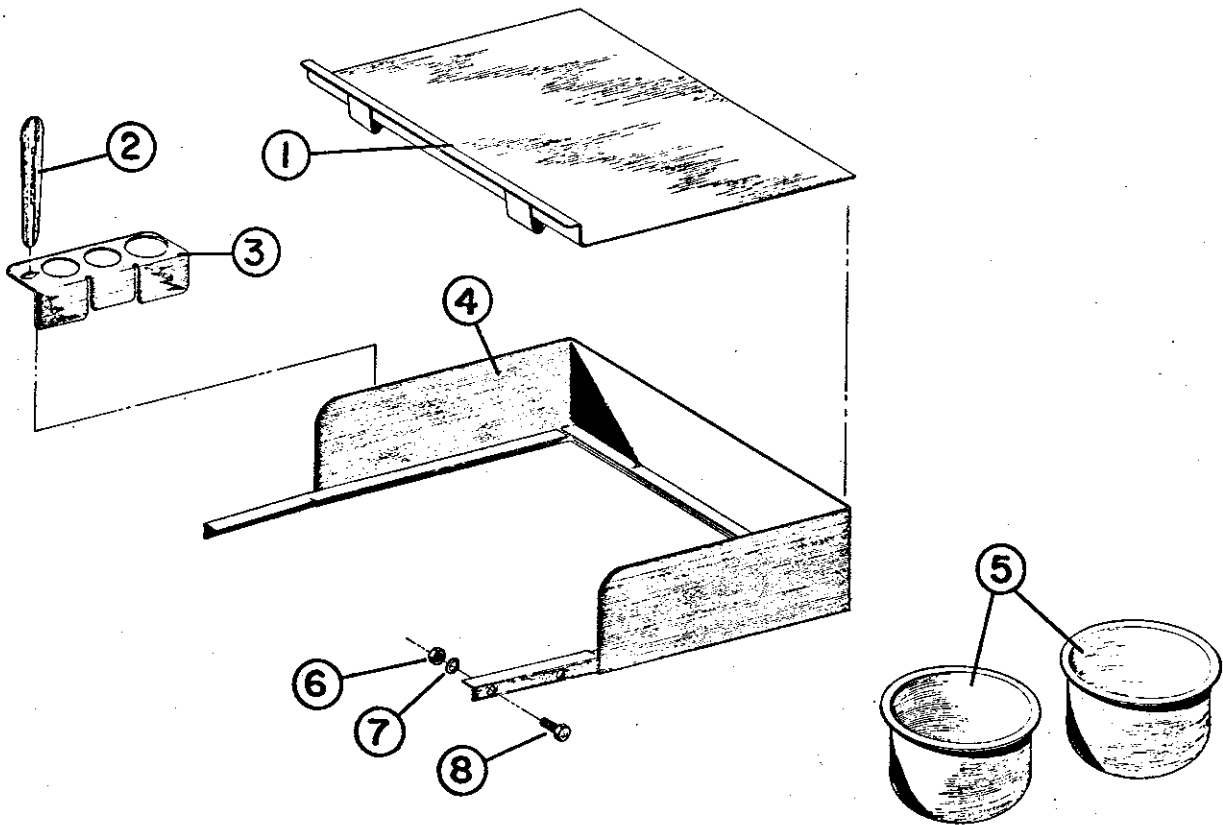
SWINGING SLEEVE BOARD

<u>Reference No.</u>	<u>Part Number</u>	<u>Description</u>
1		
2	VSB183	Small Nose Asm.
3	VSB57	Sleeve Pan
4	VSB177	Small Green Glass
5	VSB173	Pad
6	VSB28	Gasket
7	VSB69	Elbow Slide Ass'y.
8	VSB7	Upper Slide
9	VSB19	Rubber Sleeve
10	PT357	1/4"-20 x 3/4" Hex. Hd. Screw
11	TU2846	1/4"-20 Split Lockwasher
12	TU4934	1/4"-20 Hex. Nut
13	VSB153	3/8"-24 x 1" Hex. Hd. Cap Screw
14	VSB135	3/8"-24 Hex. Nut



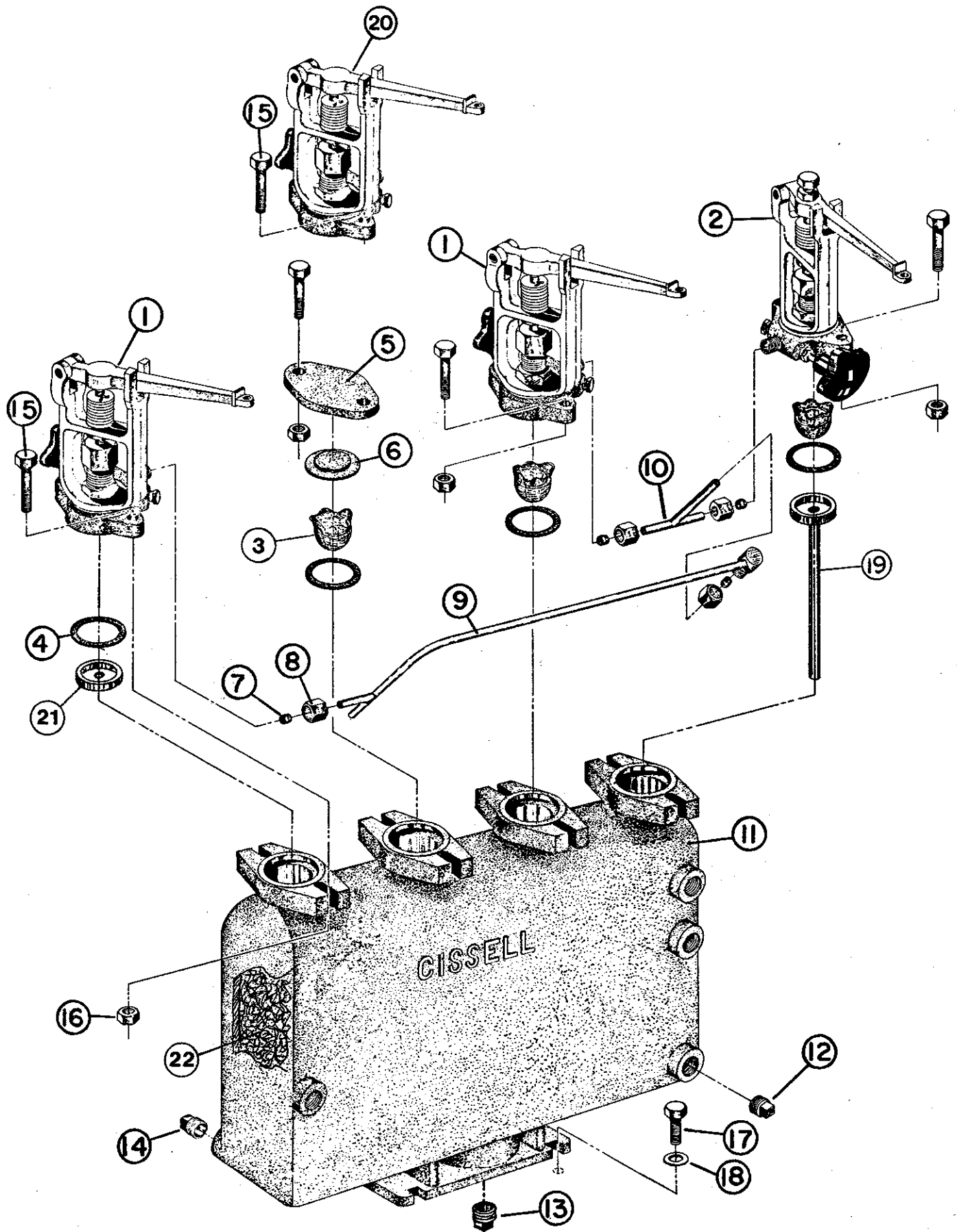
STEAM SPOTTING GUN & HOSE SU68

<u>Reference No.</u>	<u>Part Number</u>	<u>Description</u>
1	SU42	Scraper with Tube Assembly
2	SG25	Gasket
3	SU64	Renewable Tip
4	SG11	Retainer Nut
5	SU45	Rear Gun Support
6	SU53	3/8" Split Lockwasher
7	SG128	Lock Nut
8	SU47	Front Handle End
9	X56	Cork Grip
10	SU48	Rear Handle End
11	GSB145	Hose Clamp (2 req'd)
12	PU78	Steam Hose 4'-6"



CHEMICAL TRAY PARTS

<u>Reference No.</u>	<u>Part Number</u>	<u>Description</u>
1	VSB54	Chemical Tray
2	VSB45	Spatula
3	VSB44	Brush Holder
4	VSB53	Back Frame Assembly
5	VSB42	Soap Cup (2 req'd)
6	PT355	½"-20 Hex. Nut
7	F860	¼" Split Lock Washer
8	F859	¼"-20x½"Hex. Hd. Cap Screw



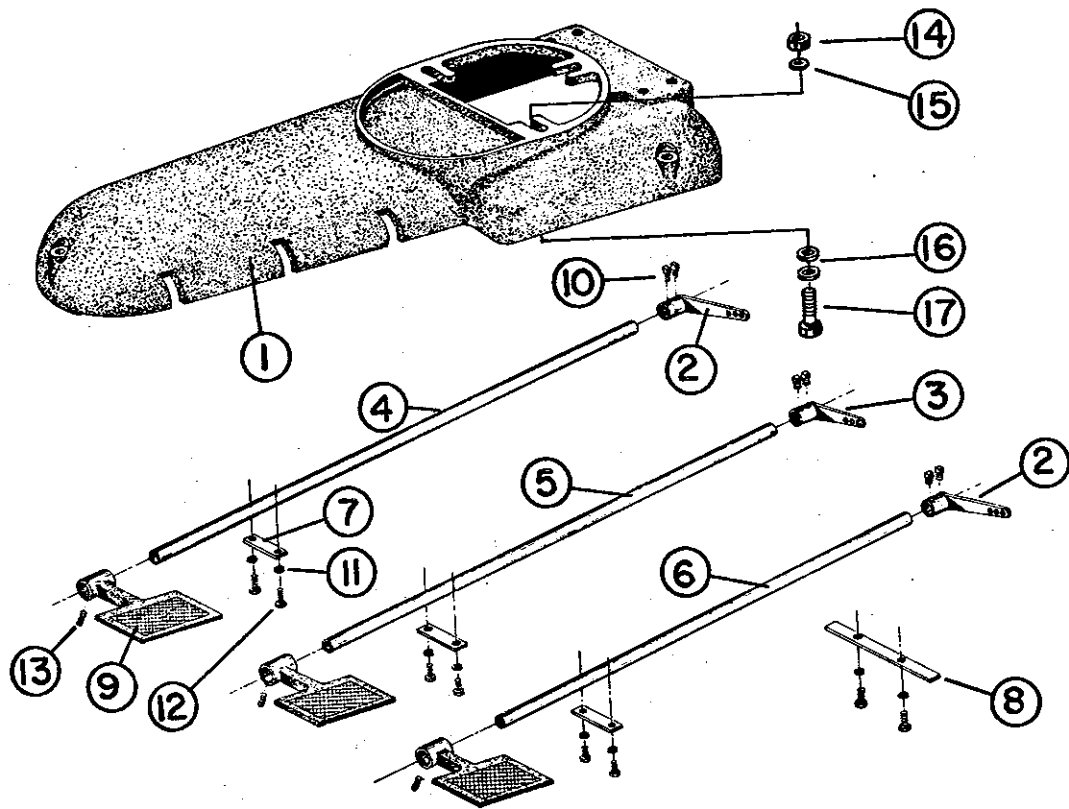
STEAM CHAMBER & VALVE ASSEMBLY COMPLETE (AIR VACUUM) - VSB180
 STEAM CHAMBER & VALVE ASSEMBLY COMPLETE (STEAM VACUUM) - VSB186

<u>Reference No.</u>	<u>Part Number</u>	<u>Description</u>
1	SU35	***Valve (Dry) (2 req'd.)
2	SU34	***Valve (Wet)
3	OP273	Strainer
4	V18	Gasket
5	FB381	*Dummy Valve Parts
6	FB382	*Dummy Valve Disc.
7	PU8	*** $\frac{1}{4}$ " Compression Bead
8	SU65	*** $\frac{1}{4}$ " Compression Nut
9	VSB124	***Triple Connector
10	SU26	***Tee Connector
11	VSB400	**Steam Chamber Assembly
12	J36	$\frac{1}{2}$ " Pipe Plug
13	TU4612	$\frac{3}{4}$ " Pipe Plug
14	P101	$\frac{3}{8}$ " Pipe Plug
15	V51	$\frac{5}{16}$ "-24 Hex Hd. Cap Screw
16	V56	$\frac{5}{16}$ "-24 Hex Nut
17	FB189	$\frac{1}{4}$ "-20 X 1" Hex Hd. Cap Screw
18	TU2847	$\frac{1}{4}$ " I. D. Cut Washer
19	SU62	Water Tube & Cup
20	VSB30	Head Valve (Steam Vacuum Only)
21	SU56	Cup
22	SB89	Copper Mesh

*Used with Air Vacuum Models Only

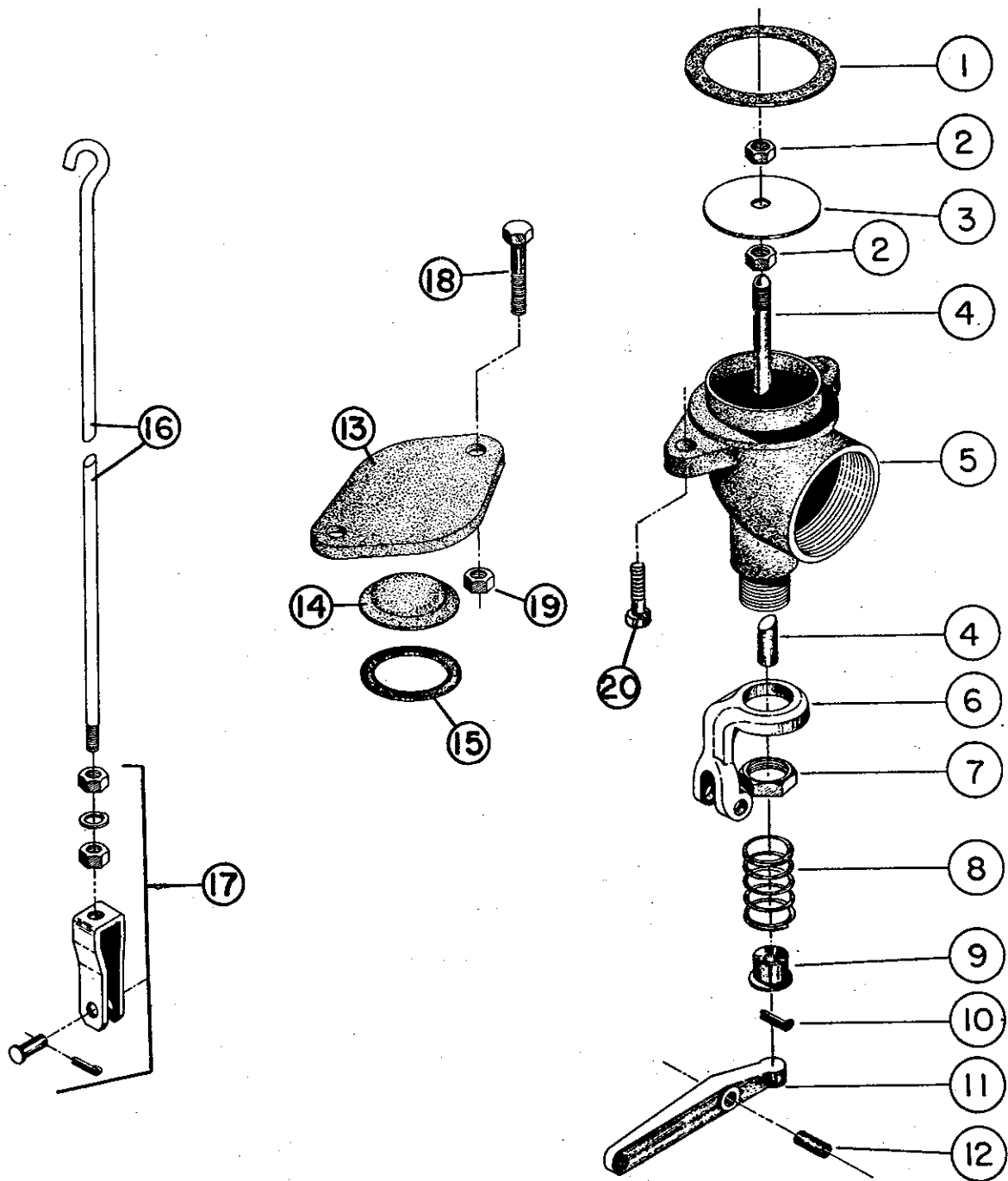
**Consists of parts: 3,4,12,13,14,19, Chamber Casting with Copper Filter and Cup.

***VSB62 Consists of 1,2,7,8,9,10



BASE ASSEMBLY

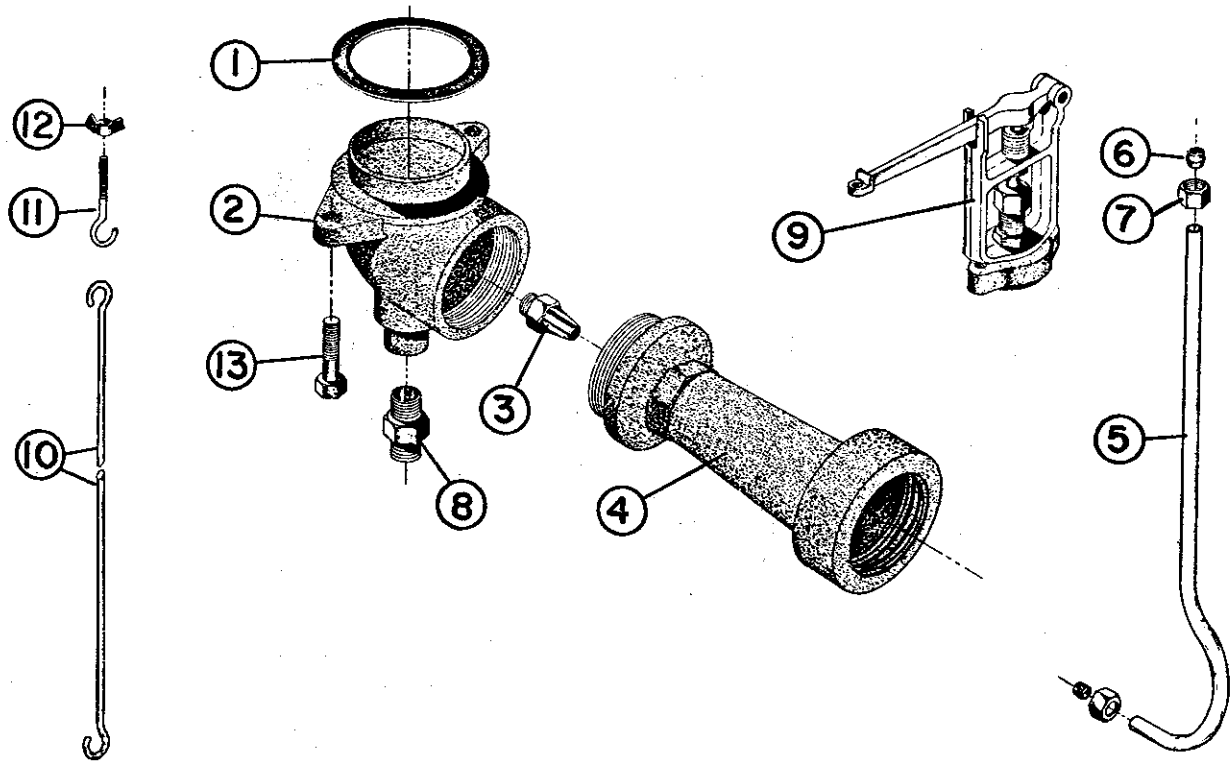
<u>Reference No.</u>	<u>Part Number</u>	<u>Description</u>
1	VSB1	Base Casting
2	VSB3	Lever Ass'y. (2 req'd.)
3	FB3	Lever Ass'y.
4	VSB68	Pedal Rod 31"
5	VSB67	Pedal Rod 26"
6	VSB80	Pedal Rod 21"
7	VSB17	Strap (3 req'd.)
8	VSB79	Strap (1 req'd.)
9	FB2	Pedal (3 req'd.)
10	LB48	1/4"-20x3/4" Sq. Hd. Set Screw
11	TU2846	1/4" Split Lock Washer
12	CB36	1/4"-20x1/2" Hex. Hd. Cap Screw
13	J21	1/4"-20x5/8" Sq. Hd. Set Screw
14	VSB135	3/8"x24 Hex Nut
15	IB140	3/8" Cut Washer
16	VSB134	3/8" Lock Washer
17	VSB132	3/8"x24x2 1/2" Hex. Bolt



CENTRAL AIR VACUUM PARTS - VSB114

(VSB114-Assembly Does Not Include Nos. 15, 18, 19)

<u>Ref. No.</u>	<u>Part No.</u>	<u>Description</u>	<u>Ref. No.</u>	<u>Part No.</u>	<u>Description</u>
1	FB32	Gasket	11	FB15	Lever
2	V15	Small Lock Nut	12	VSB128	Roll Pin
3	FB16	Disc	13	FB381	Dummy Valve Plate
4	VA4	Valve Stem	14	FB382	Dummy Valve Disc
5	FB229	Air Vacuum Body	15	V18	Gasket
6	SF15	Fork	16	FB931	Pedal Rod
7	OP547	Large Lock Nut	17	SF49	Yoke Ass'y.
8	V345	Spring (45 Lbs.)	18	V51	5/16"x24 Hx. Hd. Cap Screw
9	V12	Gland	19	V56	5/16"x24 Hex Nut
10	V2	Cotter Pin	20	FB124	5/16"x18 Hex. Hd. Cap Screw



VSB115 - STEAM VACUUM PARTS - CONSISTS OF PARTS 1-13

FB80 STEAM VACUUM VALVE W/VENTURI
CONSISTS OF PARTS REF. NOS. 1,2,3,4,8,13

<u>Reference No.</u>	<u>Part Number</u>	<u>Description</u>
1	FB32	Gasket
2	FB9	Steam Vacuum Body
3	FB12	Orifice
4	FB11	Venturi
5	VSB29	3/8" Copper Tubing
6	SF117	3/8" Compression Bead
7	SF120	3/8" Compression Nut
8	SF59	1/4" MPT X 3/8" Tube Straight Connector
9	VSB30	Steam Vacuum Valve
10	VSB31	16" Pedal Rod
11	J10	3/16" X 3 Eye Bolt
12	VSB154	#10-24 Wing Nut
13	FB124	5/16" X 18 Hex Hd. Cap Screw

