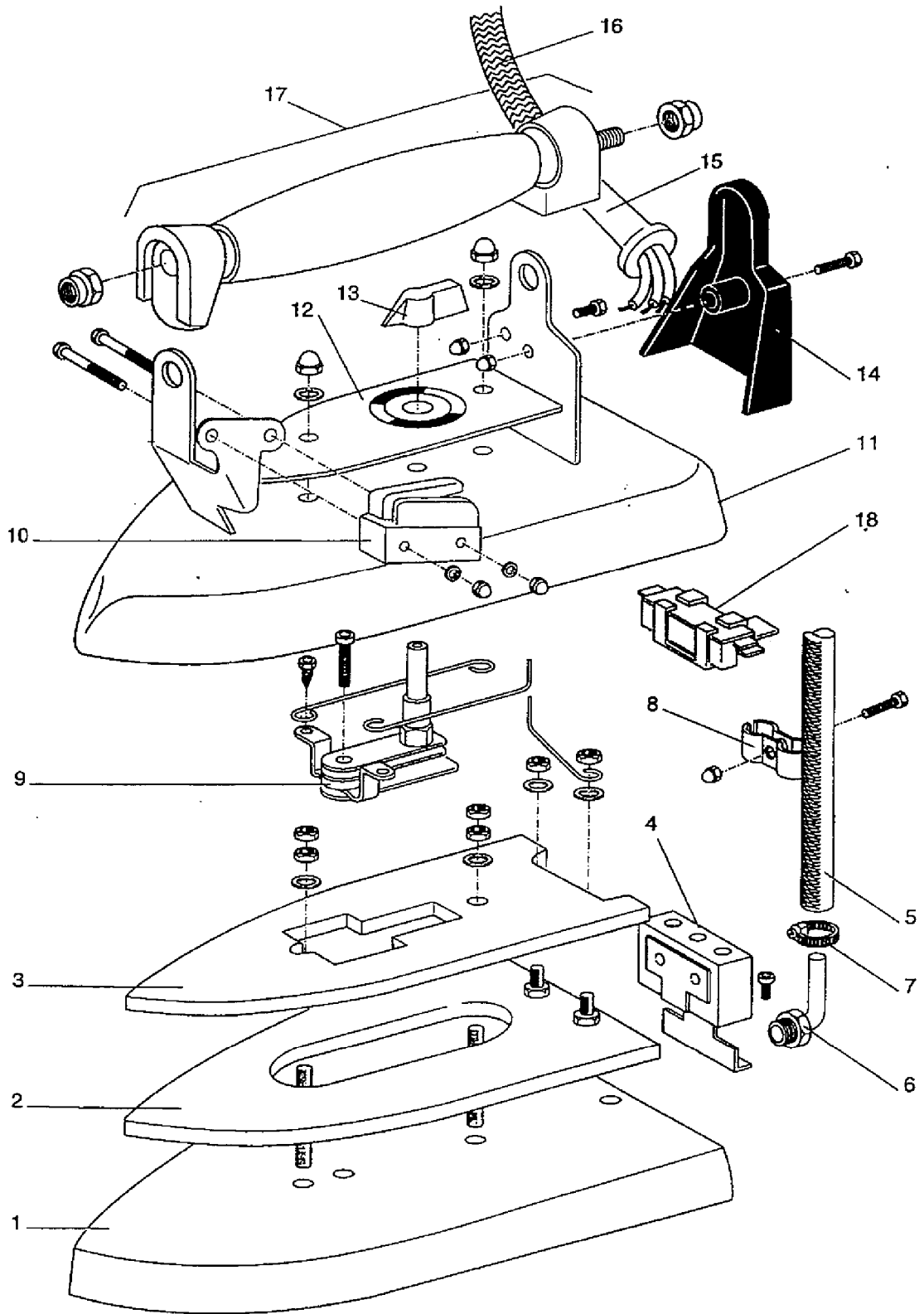




**L** LISTA COMPONENTI FERRO DA STIRO  
**GB** IRON COMPONENT LISTE  
**F** LISTE DES COMPOSANTS FER A REPASSER  
**D** LISTE DER BUGELEISENBESTANDTEILE

ALLEGATO  
ENCLOSURE  
ANNEXE  
ANLAGE

**A**

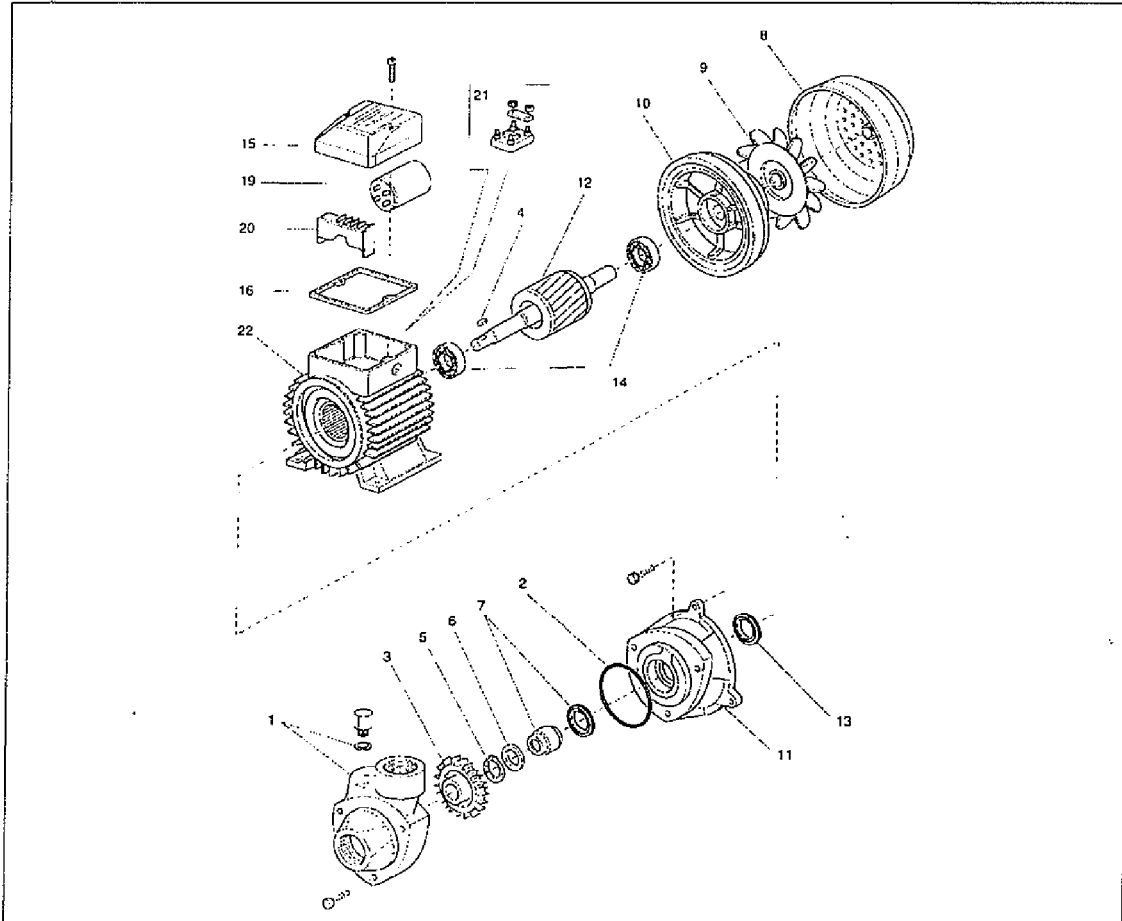




| N°. | DESCRIZIONE                                 | DESCRIPTION                      | DESCRIPTION                                | BESCHREIBUNG                       | CODICE CODE<br>CODE KODEX                           |
|-----|---|----------------------------------|--|------------------------------------|---|
| 1   | PIASTRA RADIANTE FERRO 2F                   | RADIANT PLATE 2F IRON            | PLAQUE RADIANTE FER 2F                     | HEIZPLATTE BUGELEISEN 2F           | 107.10  |
|     | PIASTRA RADIANTE FERRO JOLLY                | RADIANTE PLATE JOLLY IRON        | PLAQUE RADIANTE FER JOLLY                  | HEIZPLATTE BUGELEISEN JOLLY        | 107.31  |
|     | PIASTRA RADIANTE FERRO VR GRANDE            | RADIANTE PLATE VR G. IRON        | PLAQUE RADIANTE FER VR G.                  | HEIZPLATTE BUGELEISEN VR G.        | 107.34  |
|     | PIASTRA RADIANTE VR PICCOLO (COCCHI)        | RADIANTE PLATE COCCHI IRON       | PLAQUE RADIANTE FER COCCHI                 | HEIZPLATTE BUGELEISEN COCCHI       | 107.35  |
| 2   | RESISTENZA CORAZZATA                        | PROTECTED RESISTANCE             | RESISTANCE CUIRASSÉE                       | GEPANZERTER WIDERSTAND             | 124.43  |
| 3   | ZAVORRA                                     | BALLAST                          | LEST                                       | BALLAST                            | 107.30  |
| 4   | MORSETTIERA                                 | TERMINAL BOARD                   | TABLEAU DE BORNES                          | KLEMMKASTEN                        | 107.02  |
| 5   | TUBO VAPORE                                 | STEAM PIPE                       | TUYAU VAPEUR                               | DAMPFSCHLAUCH                      | 107.22 (3,10 MT)<br>107.25 (MT)<br>107.26 (2,20 MT) |
| 6   | RACCORDO TUBO VAPORE                        | STEAM PIPE FITTING               | RACCORD TUYAU VAPEUR                       | DAMPFSCHLAUCHVERBINDUNG            | 107.20  |
| 7   | FASCIETTA TUBO VAPORE                       | STEAM PIPE CLAMP                 | COLLIER FIXAGE TUYAU VAPEUR                | DAMPFSCHLAUCHSCHELLE               | 121.01  |
| 8   | FASCIETTA DOPPIA                            | DOUBLE CLAMP                     | COLLIER DOUBLE                             | DAMPFSCHLAUCHDOPPELSHELLE          | 107.21  |
| 9   | TERMOSTATO                                  | THERMOSTAT                       | THERMOSTAT                                 | THERMOSTAT                         | 147.06  |
| 10  | MICROINTERRUTTORE                           | MICROSWITCH                      | MICROINTERRUPTEUR                          | MIKROSCHALTER                      | 104.04  |
| 11  | CALOTTINA                                   | COVER                            | PETITE CALOTTE                             | KALOTTE                            | /   |
| 12  | MOSTRINA RAPPRESENTAZIONE TEMPERATURA FERRO | IRON TEMPERATURE INDICATOR PLATE | PLAQUE AVEC REPRESENTATION TEMPERATURE FER | ANZEIGER FÜR BUGELEISENTEMPERATUR  | /   |
| 13  | INDICATORE TEMPERATURA TERMOSTATO           | THERMOSTAT TEMPERATURE INDICATOR | INDICATEUR TEMPERATURE THERMOSTAT          | THERMOSTAT TEMPERATURE DREHREGLER  | /   |
| 14  | PROTEZIONE MORSETTIERA                      | TERMINAL BOARD PROTECTION        | PROTECTION TABLEAU DE BORNES               | KLEMMKASTEN-SCHUTZ                 | /   |
| 15  | CORDONE ELETTRICO FERRO                     | IRON TWISTED PAIR                | CORDON ELECTRIQUE FER                      | BUGELEISEN-STROMKABEL              | /   |
| 16  | CORDONA ELETTRICO CALZATO                   | SHEATED TWISTED PAIR             | CORDON ELECTRIQUE RECOUVERT                | UMKLOPPELTES BUGELEISEN-STROMKABEL | 107.27 (MT)<br>107.28 (2,20 MT)<br>107.32 (3,10 MT) |
| 17  | IMPUGNATURA IN SUGHERO                      | CORK HANDLE                      | POIGNEE EN LIEGE                           | KORKHANDGRIFF                      | 107.42  |
| 18  | TERMOFUSIBILE TY80/A                        | THERMOFUSE TY80/A                | FUSIBLE THERMIQUE TY80/A                   | THERMOSICHERUNG                    | 107.29  |



-ELETTROPOMPA TRIFASE (COD.103.16) -POMPE TRIFASE (COD.103.16)  
 -THREEPHASE PUMP (COD.103.16) -DREITAKPUMPE (COD.103.16)



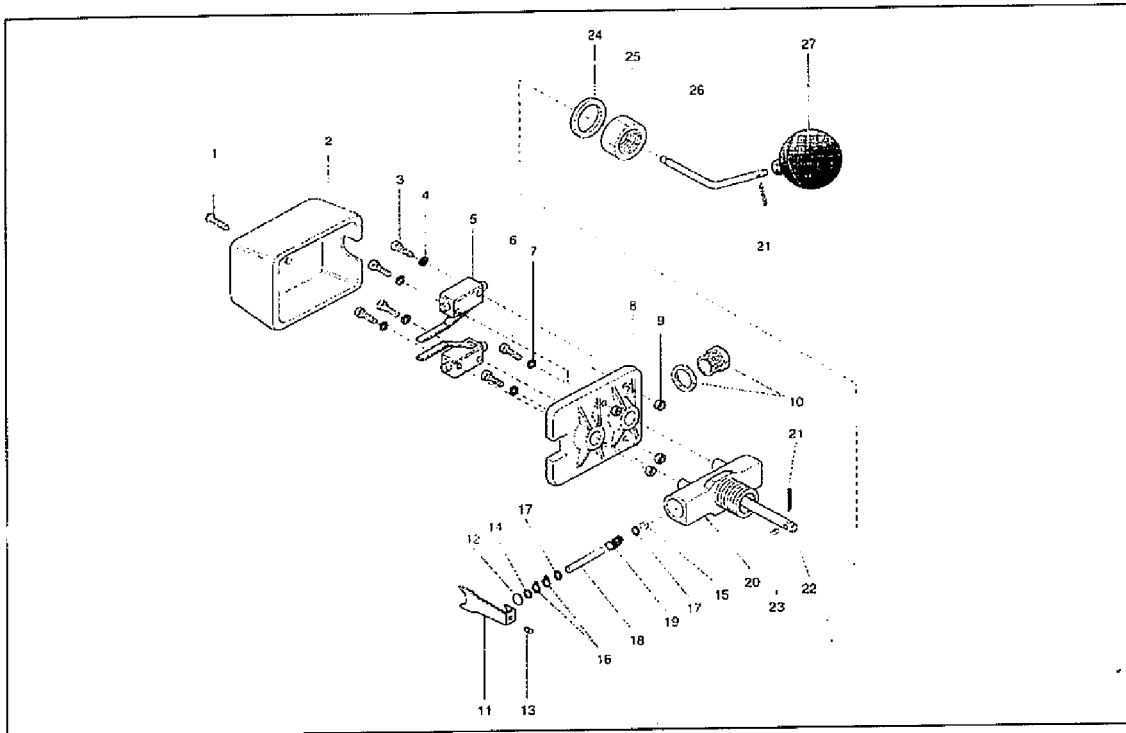
| N° | DENOMINAZIONE<br>DENOMINATION<br>DENOMINATION<br>BENENNUNG | CODICE<br>CODE<br>CODE<br>KODEX | N° | DENOMINAZIONE<br>DENOMINATION<br>DENOMINATION<br>BENENNUNG | CODICE<br>CODE<br>CODE<br>KODEX |
|----|--|---------------------------------|----|--|---------------------------------|
| 1  | -CORPO POMPA<br>-PUMP BODY                                 |                                 | 12 | -ALBERO CON ROTORE<br>-SHAFT WITH ROTOR                    |                                 |
| 2  | -GUARNIZIONE OR<br>-GASKET                                 |                                 | 13 | -PARASPRUZZI<br>-SPASH WASHER                              |                                 |
| 3  | -GIRANTE<br>-IMPELLER                                      |                                 | 14 | -CUSCINETTO A SFERA<br>-BALL BEARING                       |                                 |
| 4  | -CHIAVELLA INOX<br>-KEY-SHAFT                              |                                 | 15 | -COPRIMORSETTIERA<br>-TERMINAL BOX COVER                   |                                 |
| 5  | -ANELLO SEEGER<br>-SEGER                                   |                                 | 16 | -GUARNIZIONE<br>-GASKET                                    |                                 |
| 6  | -RONDELLA<br>-WASHER                                       |                                 | 17 | -GOMMINO PRESSACAVO<br>-CABLE GROMMET                      |                                 |
| 7  | -TENUTA MECCANICA<br>-MECHANICAL SEAT                      |                                 | 18 | -PRESSACAVO<br>-CABLE PRESS                                |                                 |
| 8  | -COPRIVENTOLA<br>-FAN COVER                                |                                 | 19 | -CONDENSATORE<br>-CONDENSER                                |                                 |
| 9  | -VENTOLA<br>-FAN   |                                 | 20 | -MORSETTIERA SPECIALE<br>-SPECIAL TERMINAL BOX             |                                 |
| 10 | -SCUDO<br>-MOTOR COVER                                     |                                 | 21 | -MORSETTIERA<br>-CONTROL TERMINAL                          |                                 |
| 11 | -LANTERNA<br>-MOTOR BRACKET                                |                                 | 22 | -CASSA CON STATORE<br>-MOTOR CASE WITH STATOR              |                                 |



L LISTA COMPONENTI REGOLATORE DI LIVELLO  
 GB LEVEL REGULATOR COMPONENT LIST  
 E LISTE DES COMPOSANTS REGULATEUR DE NIVEAU  
 D BESTANDTEILLISTE NIVEAUREGULIERER

ALLEGATO  
 ENCLOSURE  
 ANNEXE  
 ANLAGE

C



| N° | DENOMINAZIONE<br>DENOMINATION<br>DENOMINATION<br>BENENNUNG  | CODICE<br>CODE<br>CODE<br>KODEX | N° | DENOMINAZIONE<br>DENOMINATION<br>DENOMINATION<br>BENENNUNG  | CODICE<br>CODE<br>CODE<br>KODEX |
|----|---|---------------------------------|----|---|---------------------------------|
| 1  | -VITE AUTOPLETTANTE<br>-SELF-TAPPING SCREW<br>-V.AUTOTARAUDEUSE<br>-SELBSTSCHNEIDENDE SCHRAUBE      |                                 | 15 | -CONO TEFLON<br>-TEFLON CONE<br>-CÔNE EN TEFLON<br>-TEFLONKEGEL   |                                 |
| 2  | -COPERCHIO<br>-COVER<br>-CALOTTE<br>-ABDECKHULSE  |                                 | 16 | -ANELLO SEEGER INOX<br>-SEEGER RING INOX<br>-BAGUE SEEGER EN ACIER INOX<br>-SEEGERRING AUS ROSTFREIEM STAHL |                                 |
| 3  | -VITE TC<br>-SCREW<br>-VIS<br>-SCHRAUBE   |                                 | 17 | -RONDELLA OTTONE<br>-BRASS WASHER<br>-RONDELLE EN LAITON<br>-MESSINGSCHIBE                                  |                                 |
| 4  | -RONDELLA GROOVER<br>-GROOVER WASHER<br>-RONDELLE GROOVER<br>-GROOVERSCHEIBE                        |                                 | 18 | -PERNO INOX<br>-INOX PIVOT<br>-PIVOT EN ACIER INOX<br>-BOLZEN AUS ROSTFREIEM STAHL                          |                                 |
| 5  | -MICROINTERRUTTORE<br>-MICRO SWITCH<br>-MICRO-INTERRUPTEUR<br>-MIKROSCHALTER                        | 104.17 *<br>109.27 **           | 19 | -MOLLA INOX<br>-INOX SPRING<br>-RESORT EN ACIER INOX<br>-FEDER AUS ROSTFREIEM STAHL                         |                                 |
| 6  | -VITE BRUGOLA<br>-HEXAGONAL-GAINED SCREW<br>-VIS ATETE CREUSE A SIX PANS<br>-INNENSECHSKANTSCHRAUBE |                                 | 20 | -CORPO<br>-BODY<br>-CORPS<br>-KORPER  |                                 |
| 7  | -RONDELLA GROOVER<br>-GROOVER WASHER<br>-RONDELLE GROOVER<br>-GROOVERSCHEIBE                        |                                 | 21 | -COPPIGLIA INOX<br>-INOX PIN<br>-GOUPILLE EN ACIER INOX<br>-SPLINT AUS ROSTFREIEM STAHL                     |                                 |
| 8  | -BASE<br>-PLATE<br>-BASE<br>-GRUNDPLANE   |                                 | 22 | -TUBO GUIDA ASTA<br>-STEAM HOUSING<br>-LOGEMENT DE LA TIGE<br>-SPINDELUHRUNG                                |                                 |
| 9  | -DADO<br>-LOCKNUT<br>-ECROU<br>-MUTTER  |                                 | 23 | -GRANO<br>-GRAIN<br>-VIS SANS TETE<br>-BUCHSE   |                                 |
| 10 | -PASSACAVO<br>-CORE HITCH<br>-PASSAGE DU CABLE<br>-VERSCHRAUBUNG MIT ZUGENTLASTUNG                  |                                 | 24 | -GUARNIZIONE<br>-GASKER<br>-GARNITURE<br>-DICHLUNG  |                                 |
| 11 | -COPERCHIO<br>-COVERARM<br>-BRAS<br>-SCHALTARM  |                                 | 25 | -DADO<br>-LOCKNUT<br>-ECROU<br>-MUTTER  |                                 |
| 12 | -TAPPO<br>-PLUG<br>-TAMPON<br>-BUCHSE   |                                 | 26 | -ASTA PIEGATA<br>-FOLDEN ROD<br>-TIGE COURVE<br>-SCHATTHEBEL  | 109.05                          |
| 13 | -GRANO<br>-GRAIN<br>-VIS SANS TETE<br>-STIFT  |                                 | 27 | -ASM SFERA GALLEGGIANTE<br>-ASM FLOATING BALL<br>-ASM BILLE SURNAGEANT<br>-ASM SCHWAMMERKUGEL               | 109.03                          |
| 14 | -RONDELLA TEFLON<br>-TEFLON WASHER<br>-RONDELLE EN TEFLON<br>-TEFLON SCHEIBE                        |                                 |    |   |                                 |

\*\* modello con ampolla (109.02)  
 \*\* model with mercure (109.02)  
 \*\* modella avec mercure ampoule (109.02)  
 \*\* modell mit mercure ampulle (109.02)

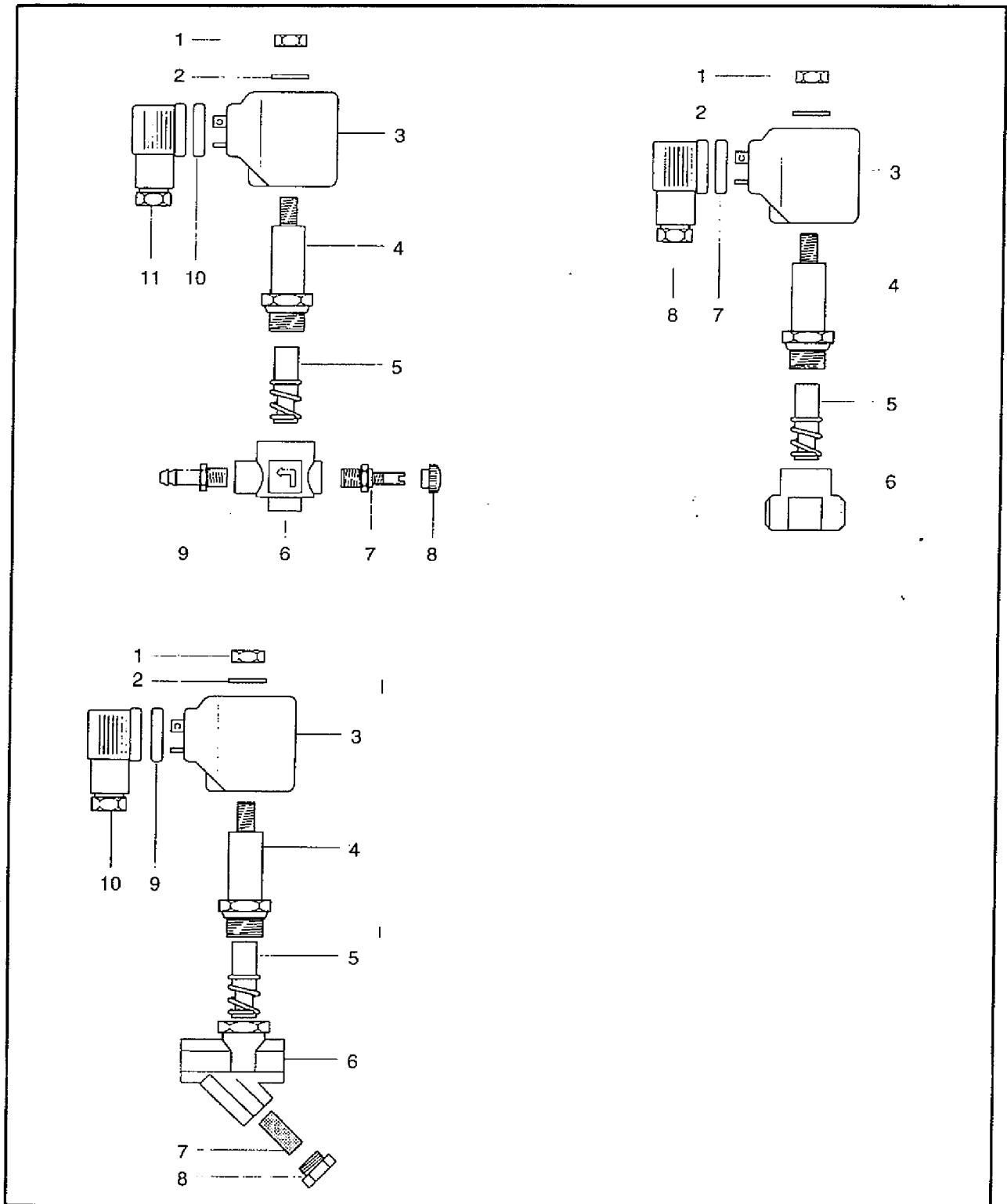
\*modello con microinterruttore (109.01)  
 \*model with microswitch (109.01)  
 \*modelle avec microinterrupteur (109.01)  
 \*modell mit microshalter (109.01)



L LISTA COMPONENTI ELETTROVALVOLE  
GB SOLENOID VALVE COMPONENT LIST  
E LISTE DES COMPOSANTS ELECTROVANNE  
D LISTE DER MAGNETVENTIL BESTANDTEILE

ALLEGATO  
ENCLOSURE  
ANNEXE  
ANLAGE

D





I  
GB  
F  
D

LISTA COMPONENTI ELETTRICI  
ELECTRIC COMPONENT LIST  
LISTE DES COMPOSANTS ELECTRIQUES  
LISTE DER ELEKTRISCHEN BESTANDTEILE

ALLEGATO  
ENCLOSURE  
ANNEXE  
ANLAGE

D

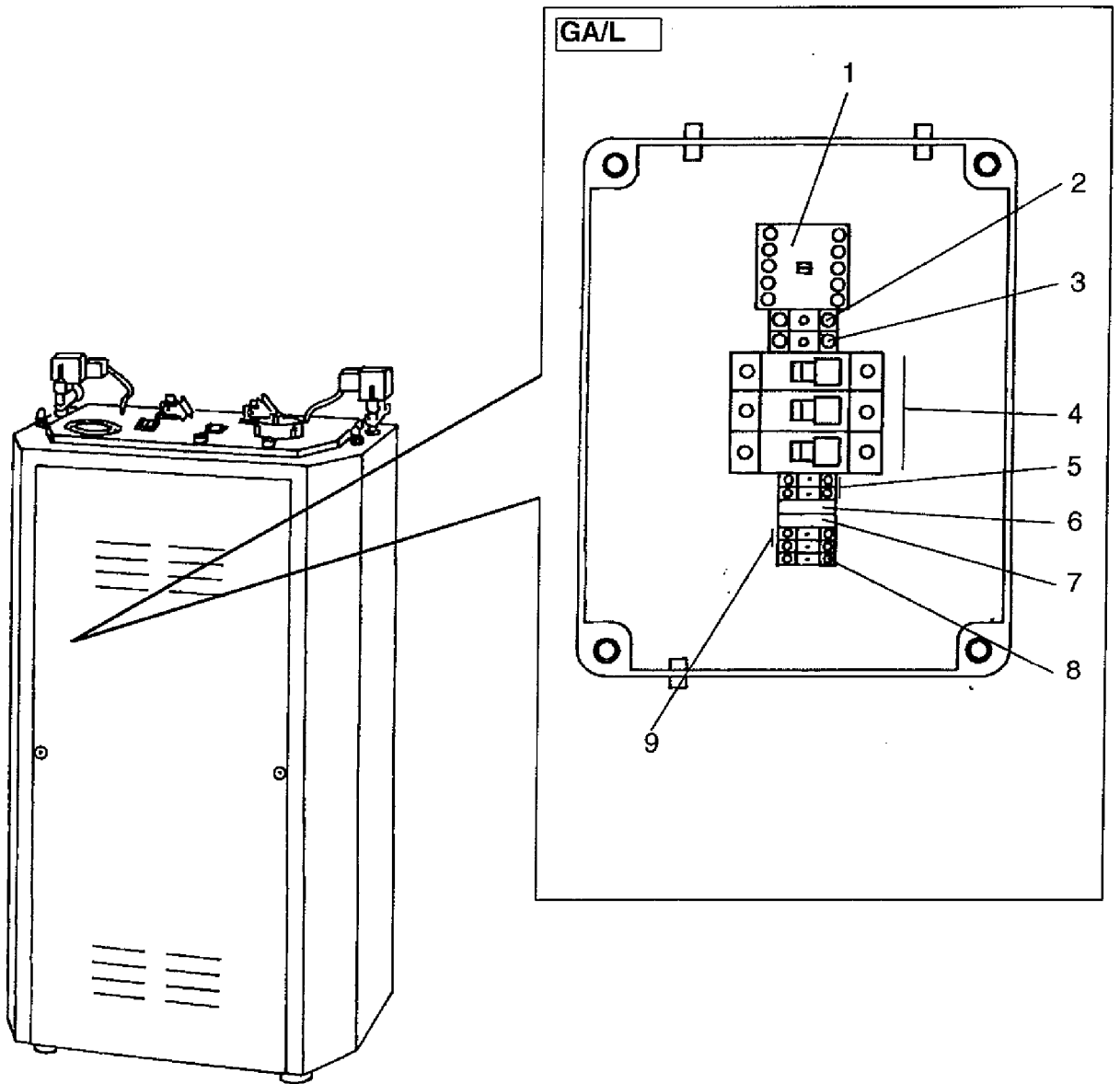
|          |                                 |                                 |                               |                                |        |
|----------|---------------------------------|---------------------------------|-------------------------------|--------------------------------|--------|
| <b>A</b> | Elettrovalvola vapore 1/4       | Steam solenoid valve 1/4"       | Electrovanne vapeur 1/4"      | Dampfmagnetventil 1/4          | 110.10 |
| 1        | Dado                            | Lock nut                        | Ecrou                         | Mutter                         |        |
| 2        | Rondella                        | Washer                          | Rondella                      | Scheibe                        |        |
| 3        | Bobina 220V                     | Magnetic unit 220V              | Bobine 220V                   | M.Spule 220V                   | 110.03 |
|          | Bobina 24V                      | Magnetic unit 24V               | Bobine 24V                    | M.Spule 24V                    | 110.01 |
| 4        | Canotto                         | Tube guide                      | Tube                          | Plungerrohr                    | 110.30 |
| 5        | Nucleo EPDM                     | Core EPDM                       | Noyeu EPDM                    | Anker EPDM                     | 110.34 |
|          | Nucleo TEFLON                   | Core TEFLON                     | Noyeu TEFLON                  | Anker TEFLON                   | 110.35 |
| 6        | Corpo                           | Body                            | Corp                          | Korper                         |        |
| 7        | Guamizione                      | Gasket                          | Joint torique                 | Dichtung                       |        |
| 8        | Connettore                      | Connector                       | Connecteur                    | Verbindung                     | 110.08 |
| <b>B</b> | Elettrovalvola vap.+reg. 1/4    | Solenoid valve steam+reg. 1/4"  | Electrovanne vapeur+reg. 1/4" | Magnetventil Dampf + reg. 1/4" |        |
| 1        | Dado                            | Lock nut                        | Ecrou                         | Mutter                         |        |
| 2        | Rondella                        | Washer                          | Rondelle                      | Scheibe                        |        |
| 3        | Bobina 220V                     | Bobine 220 V                    | Magnetic unit 220V            | M.Spule 220V                   | 110.03 |
|          | Bobina 24V                      | Magnetic unit 24V               | Bobine 24V                    | M.Spule 24V                    | 110.01 |
| 4        | Canotto                         | Tube guide                      | Tube                          | Rohr                           | 110.30 |
| 5        | Nucleo EPDM                     | Core EPDM                       | Noyeu EPDM                    | Anker EPDM                     | 110.34 |
|          | Nucleo teflon                   | Core TEFLON                     | Noyeu TEFLON                  | Anker TEFLON                   | 110.35 |
| 6        | Corpo                           | Body                            | Corps                         | Korper                         |        |
| 7        | Guamizione                      | Gasket                          | Joint torique                 | Dichtung                       |        |
| 8        | Connettore                      | Connector                       | Connecteur                    | Verbindung                     | 110.08 |
| 9        | Porta tubo                      | Pipe holder                     | Porte-tuyau                   | Rohrhalter                     |        |
| 10       | Corpo                           | Body                            | Corps                         | Korper                         |        |
| 11       | Rzgolatore                      | Regulator                       | Regulateur                    | Regler                         | 110.28 |
| 12       | Manopola                        | Handle                          | Bouton                        | Reglerknopf                    | 110.15 |
| <b>C</b> | Elettrovalvola acqua+filtro 3/8 | Solenoid valve water+filter 3/8 | Electrovanne eau+filtre 3/8   | Magnetventil Wasser+filter 3/8 |        |
| 1        | Dado                            | Lock nut                        | Ecrou                         | Mutter                         |        |
| 2        | Guamizione                      | Washer                          | Rondelle                      | Scheibe                        |        |
| 3        | Bobina 220V                     | Magnetic unit 220V              | Bobine 220V                   | M.Spule 220V                   | 110.03 |
|          | Bobina 24V                      | Magnetic unit 24V               | Bobine 24V                    | M.Spule 24V                    | 110.01 |
| 4        | Canotto                         | Tube guide                      | Tube                          | Rohr                           | 110.30 |
| 5        | Nucleo EPDM                     | Core EPDM                       | Noyeu EPDM                    | Anker EPDM                     | 110.34 |
|          | Nucleo TEFLON                   | Core TEFLON                     | Noyeu TEFLON                  | Anker TEFLON                   | 110.35 |
| 6        | Corpo                           | Body                            | Corps                         | Korper                         |        |
| 7        | Guamizione                      | Gasket                          | Joint torique                 | Dichtung                       |        |
| 8        | Connettore                      | Connector                       | Connecteur                    | Verbindung                     | 110.08 |
| 9        | Portatubo                       | Pipe holder                     | Porte -tuyau                  | Rohrhalter                     |        |
| 10       | Corpo                           | Body                            | Corps                         | Korper                         |        |
| 11       | Regolatore                      | Regulator                       | Regulateur                    | Regler                         | 110.28 |
| 12       | Manopola                        | Handle                          | Bouton                        | Reglerknopf                    | 110.15 |
| 13       | Corpo                           | Body                            | Corps                         | Korper                         |        |
| 14       | Filtro                          | Filter                          | Filtre                        | Filter                         |        |
| 15       | Tappo 3/8                       | Lock nut 3/8                    | Bouchon 3/8                   | Verschlub 3/8                  |        |
| <b>A</b> | 110.10 CEME                     | 110.19 SATURMAGNETIC            |                               |                                |        |
| <b>B</b> | 110.05 CEME                     | 110.04 SATURNMAGNETIC           |                               |                                |        |
| <b>C</b> | 110.06 SATURMAGNETIC            |                                 |                               |                                |        |



- L LISTA COMPONENTI ELETTRICI
- GB ELECTRIC COMPONENT LIST
- E LISTE DES COMPOSANTS ELECTRIQUES
- D LISTE DER ELEKTRISCHEN BESTANDTEILE

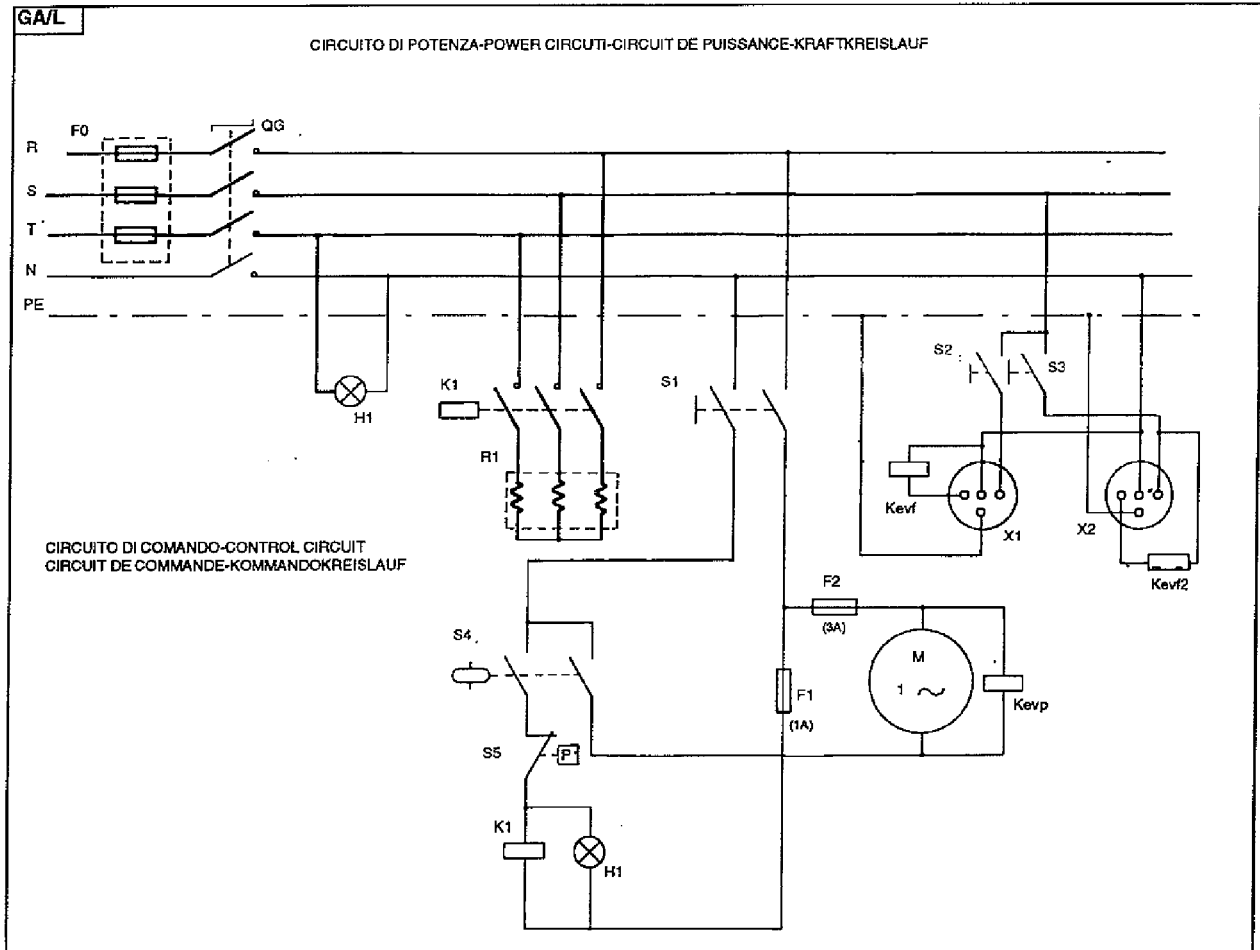
ALLEGATO  
ENCLOSURE  
ANNEXE  
ANLAGE

E





| Nr. | DESCRIZIONE<br>DESCRIPTION  | DESCRIPTION<br>BESCHREIBUNG   | CODICE<br>CODE<br>CODE KODEX |
|-----|---|---|------------------------------|
| 1   | TELERUTTORE RESISTENZA CALDAIA<br>BOILER RESISTANCE REMOTE CONTROL SWITCH | TELERUPTEUR RESISTANCE CHAUDIERE<br>FERNSCHALTER DAMPFKESSEL-WIDERSTAND | 128.01                       |
| 2   | MORSETTO TERRA<br>EARTH TERMINAL  | BORNE A TERRE<br>ERDKLEMME  | 151.11                       |
| 3   | MORSETTO NEUTRO<br>NEUTRAL TERMINAL                                       | BORNE NEUTRE<br>NEUTRALE KLEMME   | 151.10                       |
| 4   | PORTAFUSIBILE TRIPOLARE<br>THREE-POLE FUSE CARRIER                        | PORTE-FUSIBLE TRIPOLAIRE<br>DREIPOLIGER SICHERUNGSKORPER                | 137.02                       |
| 5   | MORSETTIERA DI COMANDO<br>CONTROL TERMINAL BOARD                          | BOITE A BORNES DE COMMANDE<br>STUECKLEMBRETT                            | 151.12                       |
| 6   | FUSIBILE DI PROTEZIONE COMANDO<br>CONTROL PROTECTION FUSE                 | FUSIBLE DE PROTECTION COMMANDE (1A)<br>STUECKSCHUTZ-SICHERUNG (1A)      | 151.16                       |
| 7   | FUSIBILE POMPA (3A)<br>PUMP FUSE (3A)                                     | FUSIBLE POMPE (3A)<br>SCHMELZSICHERUNG MIT PUMPEN (3A)                  | 151.16                       |
| 8   | MORSETTO DI TERRA<br>EARTH TERMINAL                                       | BORNE A TERRE<br>ERDKLEMME  | 151.14                       |
| 9   | MORSETTIERA DI COMANDO<br>CONTROL TERMINAL BOARD                          | BOITE A BORNES DE COMMANDE<br>STUECKLEMBRETT                            | 151.12                       |





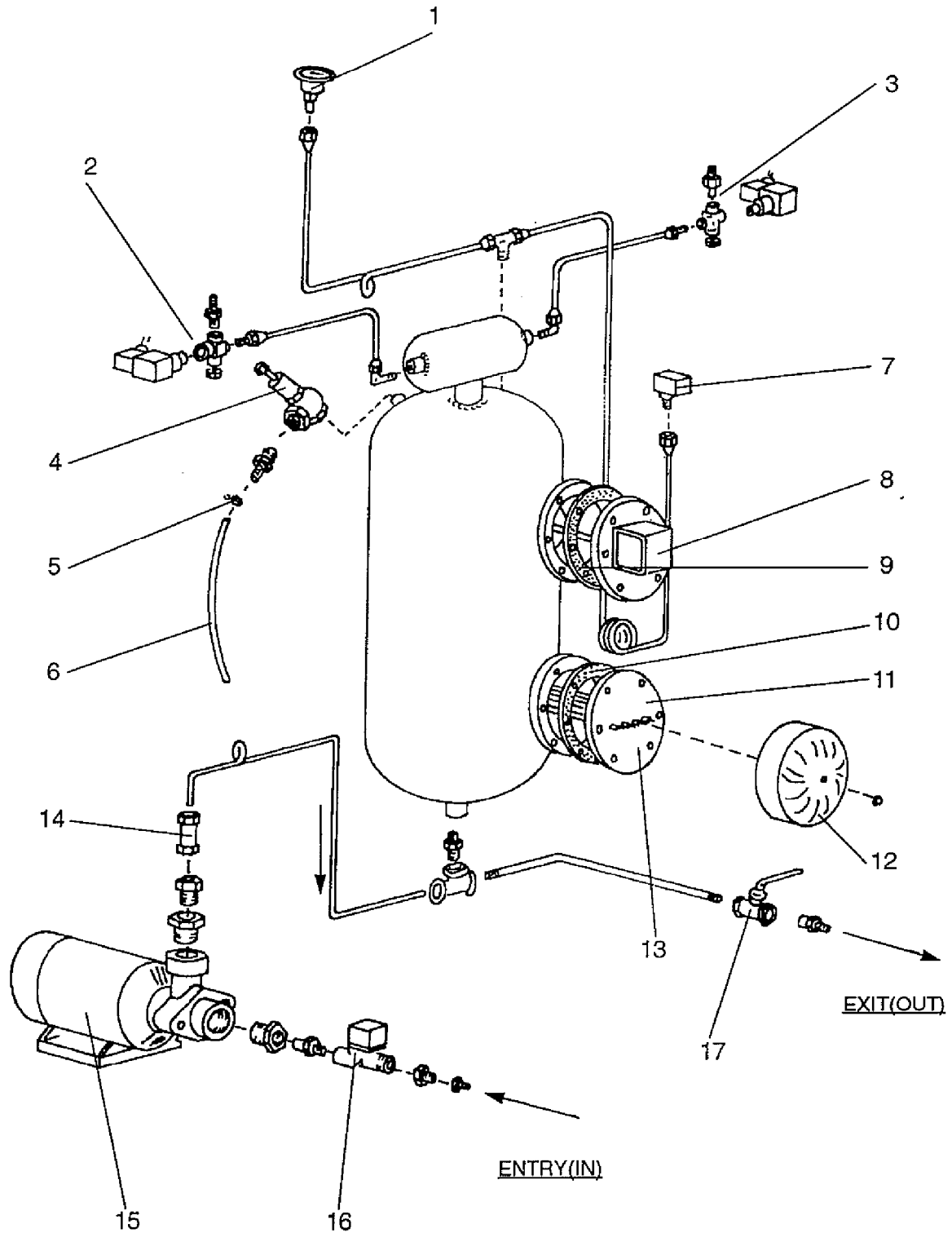
| NR.   | DESCRIZIONE                              | CODICE     | NR.   | DESCRIPTION                              | CODICE     |
|-------|--|------------|-------|--|------------|
| R-S-T | -LINEE FASI                              | /          | R-S-T | -PHASES LINE                             | /          |
| N     | -LINEA NEUTRA                            | /          | N     | -NEUTRAL LINE                            | /          |
| PE    | -PROTEZIONE ELETTRICA                    | /          | PE    | -PROTECTION                              | /          |
| QG    | -INTERRUTTORE GENERALE                   | 104.24     | QG    | -MAIN SWITCH                             | 104.24     |
| F0    | -PORTAFUSIBILI TRIPOLARE                 | 137.02     | F0    | -THREE POLE FUSE CARRIER                 | 137.02     |
| F1    | -FUSIBILE DI PROTEZIONE COMANDO(1A)      | 151.16     | F1    | -CONTROL PROTECTION FUSE (1A)            | 151.16     |
| F2    | -FUSIBILE POMPA (3A)                     | 151.16     | F2    | -PUMP FUSE (3A)                          | 151.16     |
| H1    | -SPIA TENSIONE VERDE                     | 104.06     | H1    | -TENSION PILOT LIGHT GREEN               | 104.06     |
| H2    | -SPIA CALDAIA VERDE                      | 104.06     | H2    | -BOILER PILOT LIGHT GREEN                | 104.06     |
| K1    | -TELERUTTORE RESISTENZA CALDAIA          | 128.01     | K1    | -BOILER RESISTANCE REMOTE CONTROL SWITCH | 128.01     |
| Kevf1 | -ELETTRIVALVOLA VAPORIZZAZIONE 1°FERRO   | 110.05     | Kevf1 | -1st IRON VAPORIZATION SOLENOID VALVE    | 110.05     |
| Kevf2 | -ELETTRIVALVOLA VAPORIZZAZIONE 2°FERRO   | 110.05     | Kevf2 | -2nd IRON VAPORIZATION SOLENOID VALVE    | 110.05     |
| Kevp  | -ELETTRIVALVOLA ENTRATA ACQUA IN CALDAIA | 110.06     | Kevp  | -WATER ENTRY BOILER SOLENOID VALVE       | 110.06     |
| R1    | -RESISTENZA CALDAIA                      | allegato H | R1    | -BOILER RESISTANCE                       | allegato H |
| M1    | -MOTORE POMPA                            | allegato B | M1    | -PUMPE MOTOR                             | allegato B |
| S1    | -INTERRUTTORE CALDAIA                    | 104.02     | S1    | -BOILER SWITCH                           | 104.02     |
| S2    | -INTERRUTTORE 1° FERRO                   | 104.08     | S2    | -1st IRON MICROSWITCH                    | 104.08     |
| S3    | -INTERRUTTORE 2° FERRO                   | 104.08     | S3    | -2nd IRON MICROSWITCH (*)                | 104.08     |
| S4    | -ELETTROLIVELLO                          | allegato C | S4    | -BOILER LEVEL REGULATOR                  | allegato C |
| S5    | -PRESSOSTATO CALDAIA                     | 120.01     | S5    | -BOILER PRESSURE SWITCH                  | 120.01     |
| X1    | -PRESA 1° FERRO                          | 132.03     | X1    | -1st IRON SOCKET                         | 132.03     |
| X2    | -PRESA 2° FERRO                          | 132.03     | X2    | -2nd IRON SOCKET                         | 132.03     |

| NR.   | DESCRIPTION                                   | CODE       | NR.   | BESCHREIBUNG                           | KODEX      |
|-------|---|------------|-------|--|------------|
| R-S-T | -PHASES                                       | /          | R-S-T | -PHASEN                                | /          |
| N     | -LIGNE NEUTRE                                 | /          | N     | -NEUTRALE LINIE                        | /          |
| PE    | -PROTECTION                                   | /          | PE    | -SCHUTZ                                | /          |
| QG    | -INTERRUPTEUR GENERAL                         | 104.24     | QG    | -HAUPTSCHALTER                         | 104.24     |
| F0    | -PORTE-FUSIBLE TRIPOLAIRE                     | 137.02     | F0    | -SCHMELZICHERUNG DES KOMMANDOSCHUTZES  | 137.02     |
| F1    | -FUSIBLE DE PROTECTION COMMANDE (1A)          | 151.16     | F1    | -DREIPOLIGER SICHERUNGSTRAGER (1A)     | 151.16     |
| F2    | -FUSIBLE POMPE                                | 151.16     | F2    | -PUMPE-SCHMELZSICHERUNG                | 151.16     |
| H1    | -VOYANT TENSION LUMINEUX VERT                 | 104.06     | H1    | -SPANNUNGSSPION GRUNEN SPION           | 104.06     |
| H2    | -TEMOIN CHAUDIERE                             | 104.06     | H2    | -SPION DAMPFKESSEL                     | 104.06     |
| K1    | -TELERUPTEUR RESISTANCE CHAUDIERE             | 128.01     | K1    | -FERNSCHALTER WIDERSTAND DAMPFKESSEL   | 128.01     |
| Kevf1 | -SOUPAPE ELECTRIQUE VAPORIZATION 1ERE FER     | 110.05     | Kevf1 | -MAGNETVENTIL VERDAMPFUNG 1°BUGELEISEN | 110.05     |
| Kevf2 | -SOUPAPE ELECTRIQUE VAPORIZATION 2EME FER     | 110.05     | Kevf2 | -MAGNETVENTIL VERDAMPFUNG 2°BUGELEISEN | 110.05     |
| kevp  | -SOUPAPE ELECTRIQUE ENTREE EAU DANS CHAUDIERE | 110.06     | Kevp  | -MAGNETVENTIL WASSEREINLAUF IN KESSEL  | 110.06     |
| R1    | -RESISTANCE CHAUDIERE                         | allegato H | R1    | -WIDERSTAND DAMPFKESSEL                | allegato H |
| M1    | -MOTEUR POMPE                                 | allegato B | M1    | -PUMPE-MOTOR                           | allegato B |
| S1    | -INTERRUPTEUR CHAUDIERE                       | 104.02     | S1    | -SCHALTER DAMPFKESSEL                  | 104.02     |
| S2    | -INTERRUPTEUR 1ERE FER                        | 104.08     | S2    | -SCHALTER FUR 1° BUGELEISEN            | 104.08     |
| S3    | -INTERRUPTEUR 2EME FER                        | 104.08     | S3    | -SCHALTER FUR 2° BUGELEISEN            | 104.08     |
| S4    | REGLEUR NIVEAU CHAUDIERE                      | allegato C | S4    | -REGULIEREN NIVEAU DAMPFKESSEL         | allegato C |
| S5    | -PRESSOSTAT CHAUDIERE                         | 120.01     | S5    | -DRUCKWACHTER DAMPFKESSEL              | 120.01     |
| X1    | -PRISE 1ERE FER                               | 132.03     | X1    | -STECKDOSE 1°BUGELEISEN                | 132.03     |
| X2    | -PRISE 2EME FER                               | 132.03     | X2    | -STECKDOSE 2°BUGELEISEN                | 132.03     |



L SCHEMA IDRAULICO  
GB HYDRAULIC DIAGRAM  
E SCHEMA INSTALLATION HYDRAULIC  
D HYDRAULISCHES SCHEMA

ALLEGATO  
ENCLOSURE  
ANNEXE  
ANLAGE





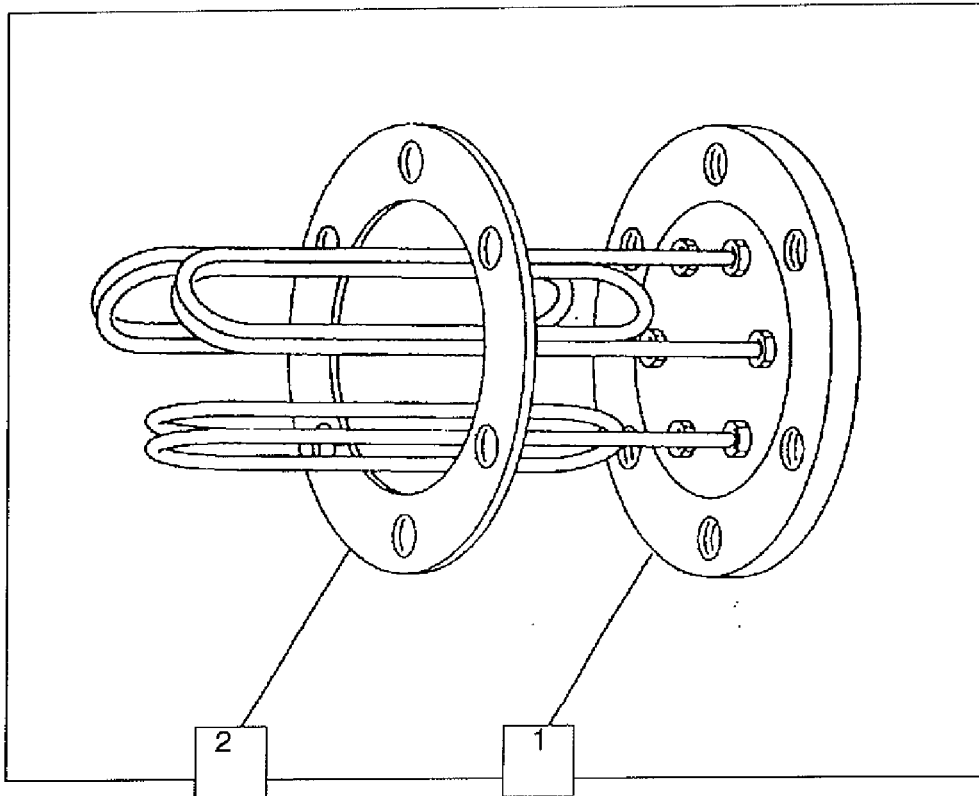
L SCHEMA IDRAULICO  
 GB HYDRAULIC DIAGRAM  
 E SCHEMA INSTALLATION HYDRAULIC  
 D HYDRAULISCHES SCHEMA

ALLEGATO  
 ENCLOSURE  
 ANNEXE  
 ANLAGE

G

| NR. | DESCRIZIONE                                  | CODICE           | NR. | DESCRIPTION                           | CODICE           |
|-----|--|------------------|-----|---------------------------------------|------------------|
| 1   | -MANOMETRO PRESSIONE VAPORE 0-6 BAR          | 119.01           | 1   | -STEAM PRESSURE GAUGE 0-6 BAR         | 119.01           |
| 2   | -ELETTRIVALVOLA CON REGOLAZIONE              | 110.04           | 2   | -SOLENOID VALVE STEAM WITH REGULATION | 110.04           |
| 3   | -ELETTRIVALVOLA CON REGOLAZIONE              | 110.05           | 3   | -SOLENOID VALVE STEAM WITH REGULATION | 110.05           |
| 4   | -VALVOLA DI SICUREZZA                        | 127.11           | 4   | -SAFETY VALVE (6,5 bar)               | 127.08           |
| 5   | -FASCETTA (dm.16-25)                         | 121.01           | 5   | -CLIP (dm.16-25)                      | 121.01           |
| 6   | -TUBO SCARICO VALVOLA DI SICUREZZA (4,5 bar) | 127.08           | 6   | -SAFETY VALVE PIPE                    | 130.32           |
| 7   | -PRESSOSTATO CALDAIA                         | 120.01           | 7   | -BOILER PRESSURE SWITCH               | 120.01           |
| 8   | -ELETTROLIVELLO (mercurio)<br>(cel)          | 109.01<br>109.02 | 8   | -ELECTRIC LEVEL (mercurio)<br>(cel)   | 109.01<br>109.02 |
| 9   | -GUARNIZIONE ELETTROLIVELLO (dm.129)         | 125.09           | 9   | -ELECTRIC LEVEL GASKET (dm.129)       | 125.09           |
| 10  | -GUARNIZIONE RESISTENZA (dm.129)             | 125.09           | 10  | -RESISTANCE GASKET (dm.129)           | 125.09           |
| 11  | -RESISTENZA FLANGIATA                        | allegato H       | 11  | -FLANGED RESISTANCE                   | allegato H       |
| 12  | -COPERCHIO RESISTENZA ELETTRICA              | 124.36           | 12  | -RESISTANCE COVER (dm.125)            | 124.36           |
| 13  | -COPERTURA CALDAIA 5LT                       | 401.08           | 13  | -BOILER COVER (5lt)                   | 401.08           |
|     | -COPERTURA CALDAIA 7LT                       | 401.07           |     | (7lt)                                 | 401.07           |
| 14  | -VALVOLA DI RITEGNO 3/8                      | 127.02           | 14  | -NONRETURN VALVE 3/8                  | 127.02           |
| 15  | -ELETTRROPOMPA                               | 103.17           | 15  | -PUMP                                 | 103.17           |
| 16  | -ELETTRIVALVOLA CON FILTRO 3/8               | 110.06           | 16  | -SOLENOID VALVE WITH FILTER 3/8       | 110.06           |
| 17  | -RUBINETTO SCARICO CALDAIA 3/8               | 102.03           | 17  | -BALL VALVE FOR BOILER DRAIN 3/8      | 102.03           |

| NR. | DESCRIPTION                                  | CODE             | NR. | BESCHREIBUNG                        | KODEX            |
|-----|--|------------------|-----|-------------------------------------|------------------|
| 1   | -MANOMETRE PRESSION VAPEUR                   | 119.01           | 1   | -MANOMETER DRUCK DAMPFKESSEL        | 119.01           |
| 2   | -ELECTROVANNE VAPEUR AVEC REGULATION         | 110.04           | 2   | -MAGNETVENTIL DAMPF+REG.            | 110.04           |
| 3   | -ELECTROVANNE VAPEUR AVEC REGULATION         | 110.05           | 3   | -MAGNETVENTIL DAMPF+REG.            | 110.05           |
| 4   | -SOUPAPE DE SECURITE                         | 127.08           | 4   | -SICHEREITSVENTIL (4,5 bar)         | 127.08           |
| 5   | -BANDE (dm.16-25)                            | 121.01           | 5   | -BANDEROLE (dm.16-25)               | 121.01           |
| 6   | -TUYAU SOUPAPE DE SECURITE                   | 130.32           | 6   | -ROHR FUR SICHEREITSVENTIL          | 130.32           |
| 7   | -PRESSOSTAT CHAUDIERE                        | 120.01           | 7   | -DRUCKWACHTER DAMPFKESSEL           | 120.01           |
| 8   | -REGULATEUR DE NIVEAU (mercurio)<br>(cel)    | 109.01<br>109.02 | 8   | -ELECTRONIVEAU (mercurio)<br>(cel)  | 109.01<br>109.02 |
| 9   | -GARNITURE REGULATEUR DE NIVEAU              | 125.09           | 9   | -DICHTUNG ELEKTRONIVEAU (dm.129)    | 125.09           |
| 10  | -GARNITURE RESISTANCE                        | 125.09           | 10  | -DICHTUNG WIDERSTAND (dm.129)       | 125.09           |
| 11  | -RESISTANCES A BRIDE                         | allegato H       | 11  | -GEFLANSCHTER WIDERSTAND            | allegato H       |
| 12  | -COUVERCLE RESISTANCE                        | 124.36           | 12  | -DECKEL WIDERSTAND 5lt              | 124.36           |
| 13  | -COUVERTURE CHAUDIERE (5lt)<br>(7lt)         | 401.08<br>401.07 | 13  | -VERKLEIDUNG DAMPFKESSEL 5lt<br>7lt | 401.08<br>401.07 |
| 14  | -SOUPAPE DE RETENUE 3/8                      | 127.02           | 14  | -RUCKSCHLAGVENTIL 3/8               | 127.02           |
| 15  | -POMPE                                       | 103.17           | 15  | -PUMPE                              | 103.17           |
| 16  | -SOUPAPE ELECTRIQUE AVEC FILTRE 3/8          | 110.06           | 16  | -MAGNETVENTIL MIT FILTER 3/8        | 110.06           |
| 17  | -ROBINET A BILLE POUR DECHARGE CHAUDIERE 3/8 | 102.03           | 17  | -AUSLABHAHM                         | 102.03           |



| N°. | DENOMINAZIONE<br>DENOMINATION           | DENOMINATION<br>BENENNUNG | CODICE CODE |       |
|-----|---|---------------------------|-------------|-------|
|     |   |                           | CODE        | KODEX |
| 1   | RESISTENZA FLANGIATA 3 ELEMENTI 3500W   |                           | 124.06      |       |
|     | RESISTENZA FLANGIATA 3 ELEMENTI 4700W   |                           | 124.08      |       |
|     | RESISTENZA FLANGIATA 3 ELEMENTI 6000W   |                           | 124.03      |       |
|     | 3 ELEMENTS FLANGED RESISTANCE 3500W     |                           | 124.06      |       |
|     | 3 ELEMENTS FLANGED RESISTANCE 4700W     |                           | 124.08      |       |
|     | 3 ELEMENTS FLANGED RESISTANCE 6000W     |                           | 124.03      |       |
|     | RESISTANCE A BRIDE 3 ELEMENT 3500W      |                           | 124.06      |       |
|     | RESISTANCE A BRIDE 3 ELEMENT 4700W      |                           | 124.08      |       |
|     | RESISTANCE A BRIDE 3 ELEMENT 6000W      |                           | 124.03      |       |
|     | GEFLANSCHTER WIDERSTAND 3 ELEMENT 3500W |                           | 124.06      |       |
|     | GEFLANSCHTER WIDERSTAND 3 ELEMENT 4700W |                           | 124.08      |       |
|     | GEFLANSCHTER WIDERSTAND 3ELEMENT 6000W  |                           | 124.03      |       |
| 2   | GUARNIZIONE 129                         |                           | 125.09      |       |
|     | GASKET 129                              |                           | 125.09      |       |
|     | GARNITURE 129                           |                           | 125.09      |       |
|     | DICHTUNG 129                            |                           | 125.09      |       |



EBERHARDT FRERES

Service après vente

ARIANE

GV5

-

N° de série début: IDEM GA-L

N° de série fin: -

Produit : ANNEE 2002 GENERATEUR DE VAPEUR

Date: 11/06/2007

Famille : Repassage Générateurs de vapeur Professionnel

| Page | Position | Référence | Qte | Designation                         |
|------|----------|-----------|-----|-------------------------------------|
| 1    | 1        | 10731     | 0   | SEMELLE FERRO JOLY                  |
| 1    | 2        | 10731     | 0   | SEMELLE FERRO JOLY                  |
| 1    | 3        | INDI      | 0   | ARTICLE NON REFERENCE NOUS CONSULTE |
| 1    | 5        | 10726     | 0   | TUYAU VAPEUR ( 2 METRES )           |
| 1    | 5        | 10739     | 0   | TUYAU VAPEUR 5X12                   |
| 1    | 5        | 10725     | 0   | TUYAU VAPEUR ( METRE )              |
| 1    | 6        | 10720     | 0   | RACCORD VAPEUR COUDE SEMELLE JOLLY  |
| 1    | 7        | 12101     | 0   | COLLIER 20/24 POUR TUYAU VAPEUR     |
| 1    | 8        | INDI      | 0   | ARTICLE NON REFERENCE NOUS CONSULTE |
| 1    | 9        | 14706     | 0   | THERMOSTAT FER JOLLY AVEC FUSIBLE   |
| 1    | 10       | 10404     | 0   | MICRO-INTERRUPTEUR                  |
| 1    | 16       | 10732     | 0   | CABLE                               |
| 1    | 16       | 10727     | 0   | CABLE ELECTRIQUE ( METRE )          |
| 1    | 17       | 10742     | 0   | POIGNEE DE FER JOLLY                |
| 1    | 18       | 10729     | 0   | FUSIBLE THERMIQUE                   |
| 3    | 1        | 10316     | 0   | POMPE A EAU CG-AT 5bars TRI         |
| 4    | 1        | 10901     | 0   | MICROSWITCH REGULATEUR NIVEAU ASP1  |
| 4    | 2        | 10901     | 0   | MICROSWITCH REGULATEUR NIVEAU ASP1  |
| 4    | 5        | INDI      | 0   | ARTICLE NON REFERENCE NOUS CONSULTE |
| 4    | 26       | INDI      | 0   | ARTICLE NON REFERENCE NOUS CONSULTE |
| 4    | 27       | 10903     | 0   | BOULE FLOTTEUR INOX                 |
| 5    | 1        | 11010     | 0   | ELECTROVANNE VAPEUR                 |
| 5    | 3        | 11003     | 0   | BOBINE DE REMPLISSAGE 220V          |
| 5    | 3        | 11001     | 0   | BOBINE DE REMPLISSAGE 24V           |
| 5    | 4        | INDI      | 0   | ARTICLE NON REFERENCE NOUS CONSULTE |
| 5    | 5        | INDI      | 0   | ARTICLE NON REFERENCE NOUS CONSULTE |
| 5    | 8        | 11008     | 0   | CONNECTEUR POUR BOBINE              |
| 5    | 11       | INDI      | 0   | ARTICLE NON REFERENCE NOUS CONSULTE |
| 5    | 12       | 11015     | 0   | MANETTE                             |
| 7    | 1        | 12801     | 0   | CONTACTEUR DE CHAUFFAGE             |
| 7    | 2        | INDI      | 0   | ARTICLE NON REFERENCE NOUS CONSULTE |
| 7    | 3        | INDI      | 0   | ARTICLE NON REFERENCE NOUS CONSULTE |
| 7    | 4        | 13702     | 0   | PORTE FUSIBLE                       |
| 7    | 5        | INDI      | 0   | ARTICLE NON REFERENCE NOUS CONSULTE |
| 7    | 6        | INDI      | 0   | ARTICLE NON REFERENCE NOUS CONSULTE |
| 7    | 7        | INDI      | 0   | ARTICLE NON REFERENCE NOUS CONSULTE |
| 7    | 8        | INDI      | 0   | ARTICLE NON REFERENCE NOUS CONSULTE |
| 7    | 9        | INDI      | 0   | ARTICLE NON REFERENCE NOUS CONSULTE |
| 9    | 1        | 10424     | 0   | INTERRUPTEUR M/A DU FER             |
| 9    | 2        | 13702     | 0   | PORTE FUSIBLE                       |
| 9    | 3        | INDI      | 0   | ARTICLE NON REFERENCE NOUS CONSULTE |
| 9    | 4        | 10406     | 0   | VOYANT LUMINEUX 220V VERT           |
| 9    | 5        | 12801     | 0   | CONTACTEUR DE CHAUFFAGE             |
| 9    | 6        | 11005     | 0   | ELECTROVANNE CEME DM 2,8 9922 REG.  |
| 9    | 7        | 11006CH   | 0   | ELECTROVANNE EAU COCCHI             |
| 9    | 8        | 10402     | 0   | INTERRUPTEUR LUMINEUX               |
| 9    | 9        | 10408     | 0   | INTERRUPTEUR DOUBLE                 |
| 9    | 10       | 12101     | 0   | COLLIER 20/24 POUR TUYAU VAPEUR     |
| 9    | 11       | 13203     | 0   | CONNECTEUR TABLE                    |
| 11   | 1        | 11901     | 0   | MANOMETRE                           |

DIVISION ELECTROMENAGER - DIVISION PROFESSIONNELLE

EBERHARDT FRERES, 18 RUE DES FRERES EBERTS, BOITE POSTALE 83, F-67024 STRASBOURG CEDEX 1,

TELEPHONE 03 88 65 71 71 - FAX CIAL 03 88 39 28 58 FAX SAV - FAX SAV 03 88 40 24 34

Minitel SAV : 3615 EFSAV - Site internet SAV <http://sav.eberhardt.fr>

Société anonyme au capital de 2.100.000 F, R.C. Strasbourg B 578 503 112, C.C.P. Strasbourg 531-94P



EBERHARDT FRERES

Service après vente

ARIANE

GV5

-

N° de série début: IDEM GA-L

N° de série fin: -

Produit : ANNEE 2002 GENERATEUR DE VAPEUR

Date: 11/06/2007

Famille : Repassage Générateurs de vapeur Professionnel

| Page | Position | Référence | Qte | Designation                           |
|------|----------|-----------|-----|---------------------------------------|
| 11   | 2        | 11004     | 0   | ELECTROVANNE SM DM 2,8 150/REG        |
| 11   | 3        | 11005     | 0   | ELECTROVANNE CEME DM 2,8 9922 REG.    |
| 11   | 4        | 12723     | 0   | SOUPAPE DE SECURITE 5 BARS            |
| 11   | 5        | 12101     | 0   | COLLIER 20/24 POUR TUYAU VAPEUR       |
| 11   | 6        | INDI      | 0   | ARTICLE NON REFERENCE NOUS CONSULTE   |
| 11   | 7        | 12001     | 0   | PRESSOSTAT SC6 1/4 250V               |
| 11   | 8        | 10901     | 0   | MICROSWITCH REGULATEUR NIVEAU ASP1    |
| 11   | 9        | 12509     | 0   | JOINT DE BRIDE RESISTANCE             |
| 11   | 10       | 12509     | 0   | JOINT DE BRIDE RESISTANCE             |
| 11   | 12       | 12436     | 0   | CACHE                                 |
| 11   | 13       | 40107     | 0   | HOUSSE CHAUDIERE 7 LITRES             |
| 11   | 14       | INDI      | 0   | ARTICLE NON REFERENCE NOUS CONSULTE   |
| 11   | 15       | 10315     | 0   | POMPE A EAU ASP1-ASP5-ASP4B 220V MONO |
| 11   | 16       | 11006CH   | 0   | ELECTROVANNE EAU COCCHI               |
| 11   | 17       | 10203     | 0   | ROBINET VAPEUR ROUGE 3/8"             |
| 11   | 18       | 13026     | 0   | TUYAU DIA. 13 ( METRE )               |
| 13   | 1        | 12406     | 0   | RESISTANCE 3500 W 380V TRI GV5        |
| 13   | 1        | 12403     | 0   | RESISTANCE 6000W                      |
| 13   | 1        | 12408     | 0   | RESISTANCE 4700W GV5 diam 128         |
| 13   | 2        | 12509     | 0   | JOINT DE BRIDE RESISTANCE             |

DIVISION ELECTROMENAGER - DIVISION PROFESSIONNELLE

EBERHARDT FRERES, 18 RUE DES FRERES EBERTS, BOITE POSTALE 83, F-67024 STRASBOURG CEDEX 1,

TELEPHONE 03 88 65 71 71 - FAX CIAL 03 88 39 28 58 FAX SAV - FAX SAV 03 88 40 24 34

Minitel SAV : 3615 EFSAV - Site internet SAV <http://sav.eberhardt.fr>

Société anonyme au capital de 2.100.000 F, R.C. Strasbourg B 578 503 112, C.C.P. Strasbourg 531-94P