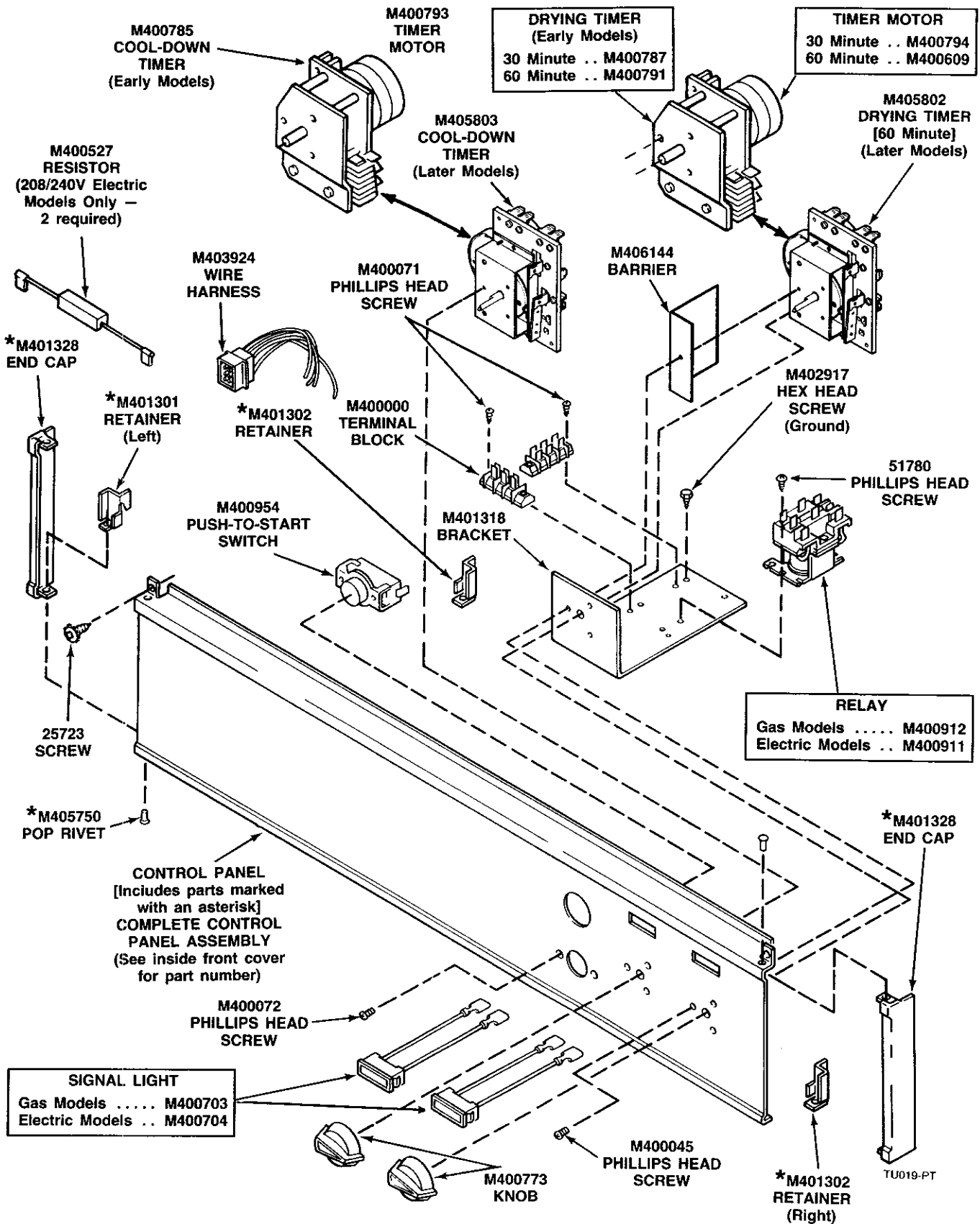
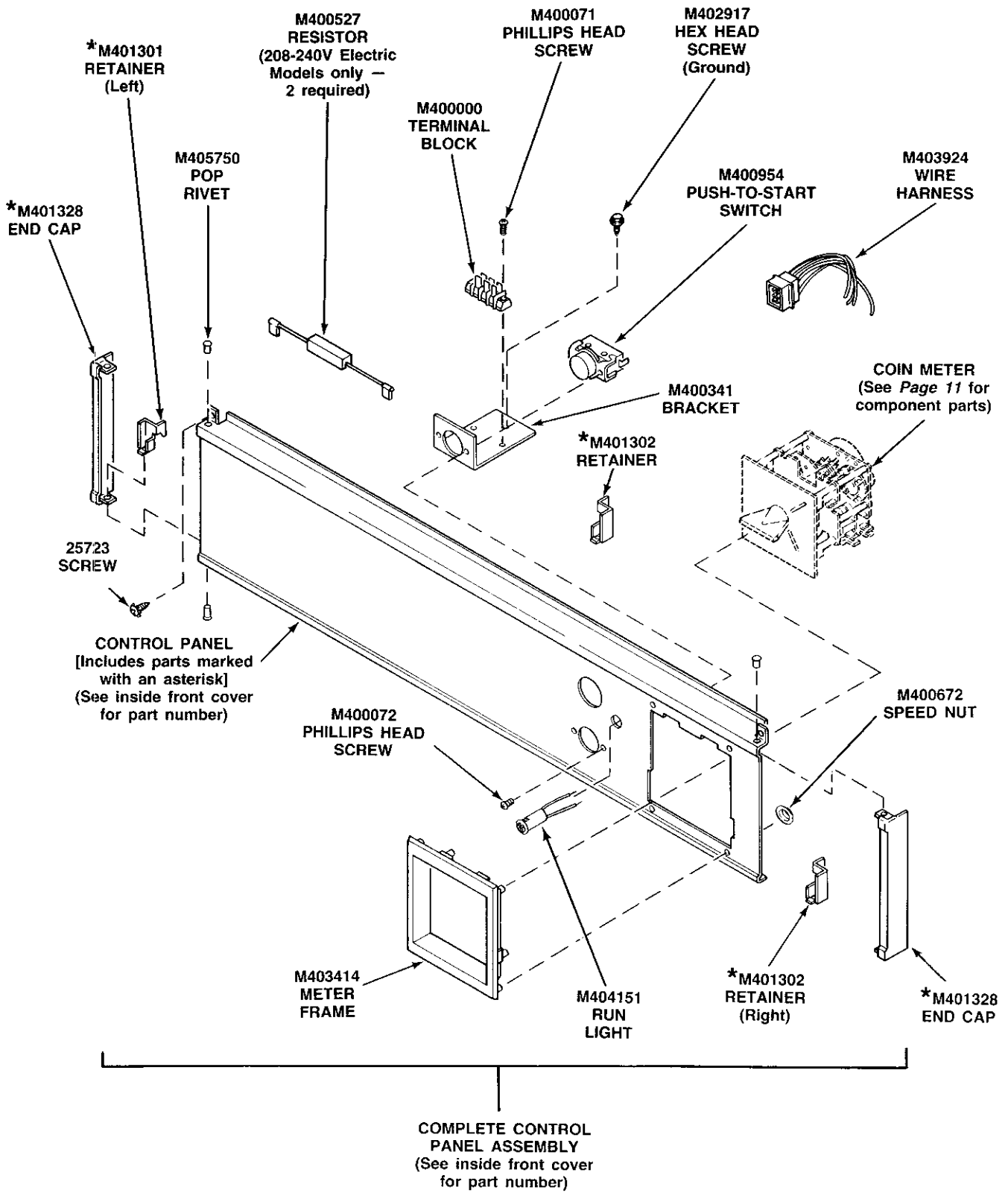


Section I Parts

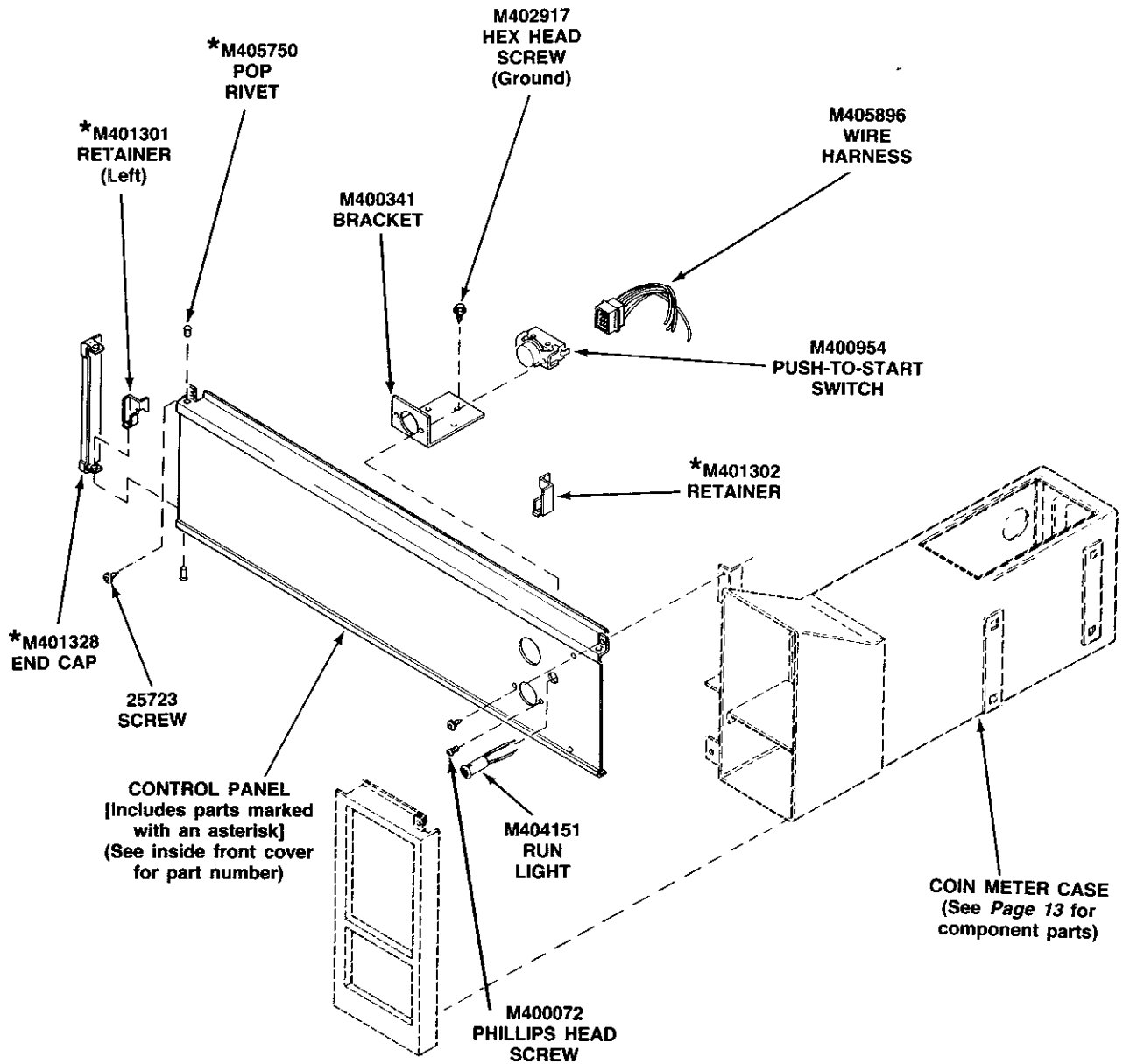


CONTROL PANEL ASSEMBLY - MANUAL TIMERS MODELS



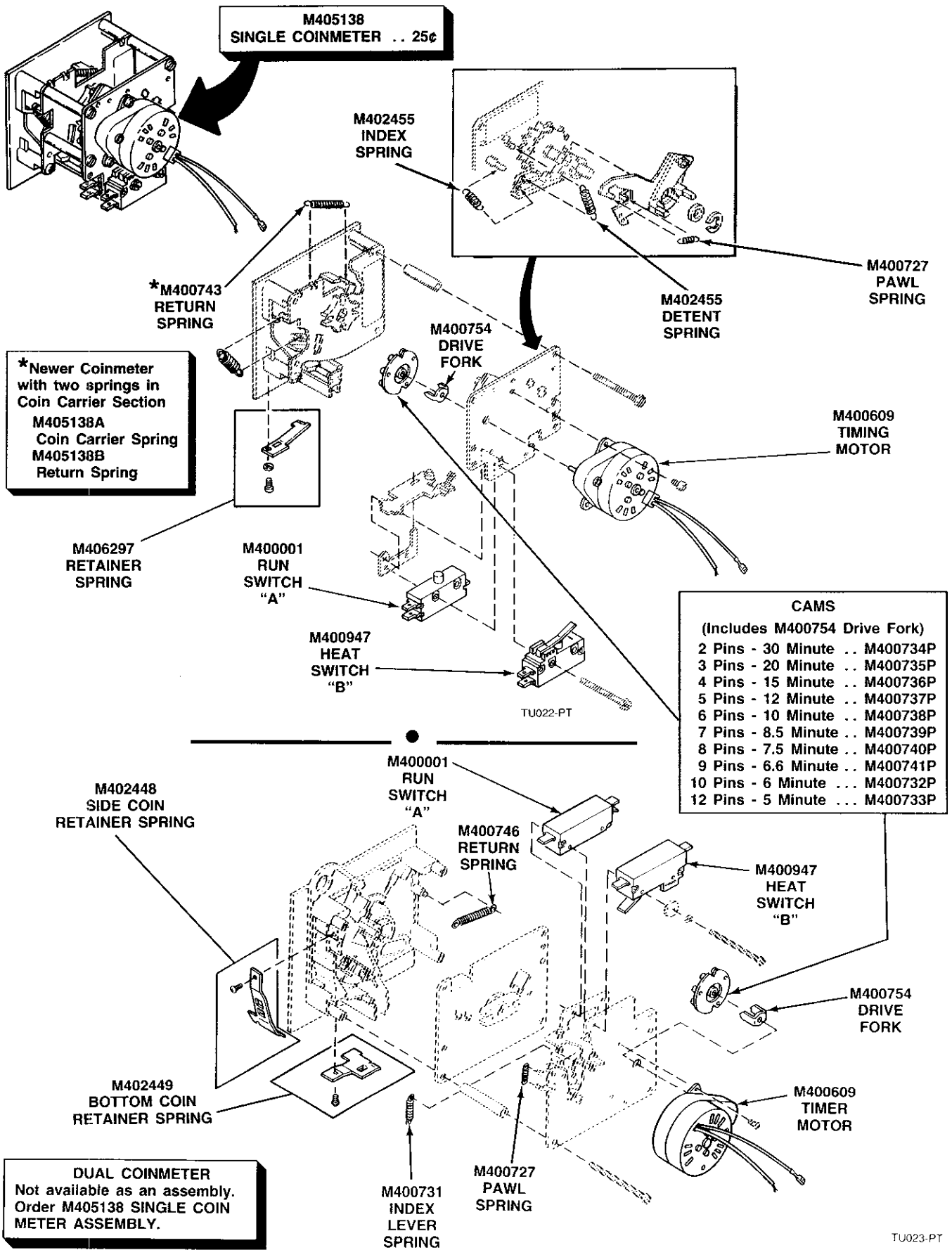
TU020-PT

CONTROL PANEL ASSEMBLY — COIN METER MODELS



TU021-PT

CONTROL PANEL ASSEMBLY — COIN SLIDE MODELS



SINGLE AND DUAL COIN METERS

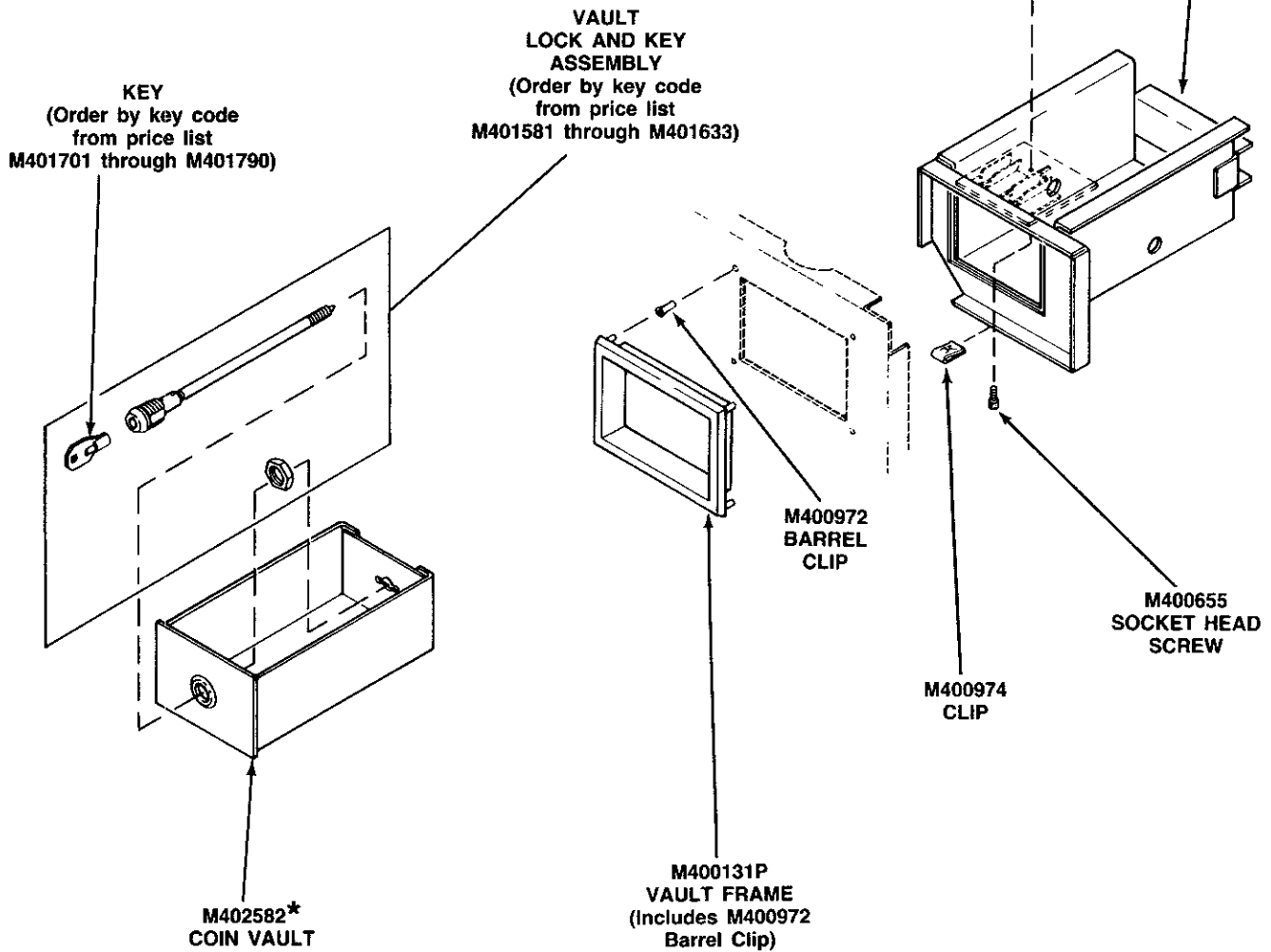
TU023-PT

EFFECTIVE JANUARY 1, 1984 PAINTED PARTS ARE AVAILABLE IN THE COLORS LISTED BELOW:

*ADD SUFFIX LETTER TO PART NUMBER TO DESIGNATE COLOR.

<i>D</i> Apple Green	<i>F</i> Autumn Oak	<i>GR</i> Prime Coat
<i>H</i> Harvest Gold	<i>L</i> Almond	<i>R</i> Butterscotch
<i>V</i> Orange	<i>W</i> White	

Orders For Colors Other Than Above Will Be Prime Coated.



TU024-PT

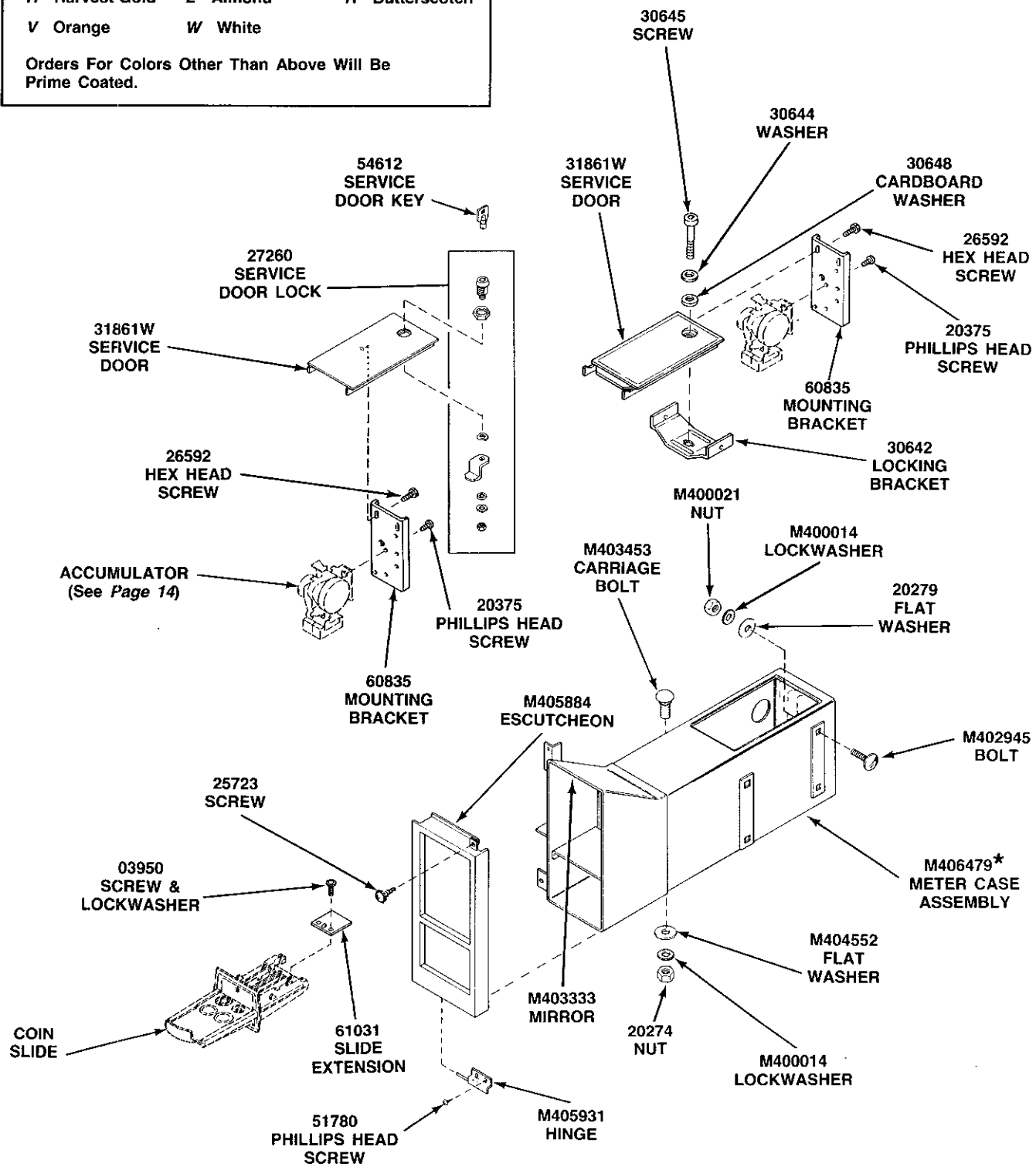
COIN VAULT AND VAULT GUIDE ASSEMBLY

EFFECTIVE JANUARY 1, 1984 PAINTED PARTS ARE AVAILABLE IN THE COLORS LISTED BELOW:

*ADD SUFFIX LETTER TO PART NUMBER TO DESIGNATE COLOR.

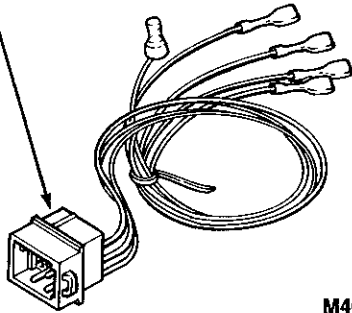
D Apple Green	F Autumn Oak	GR Prime Coat
H Harvest Gold	L Almond	R Butterscotch
V Orange	W White	

Orders For Colors Other Than Above Will Be Prime Coated.

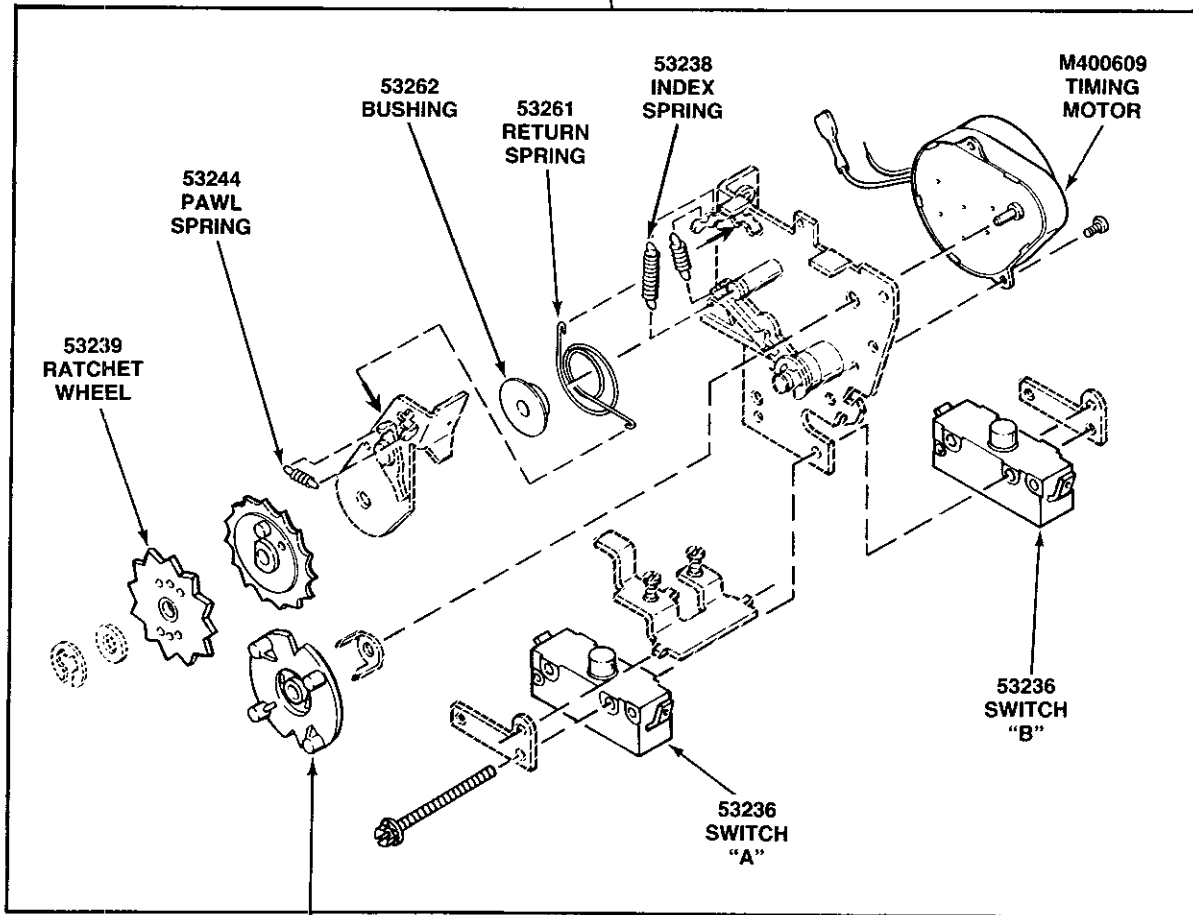
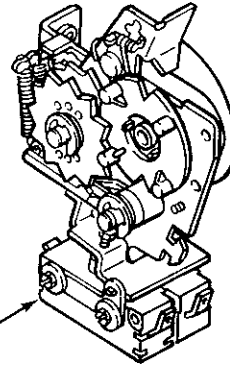


METER CASE – COIN SLIDE MODELS

M403425
WIRE
HARNESS



M403422
ACCUMULATOR



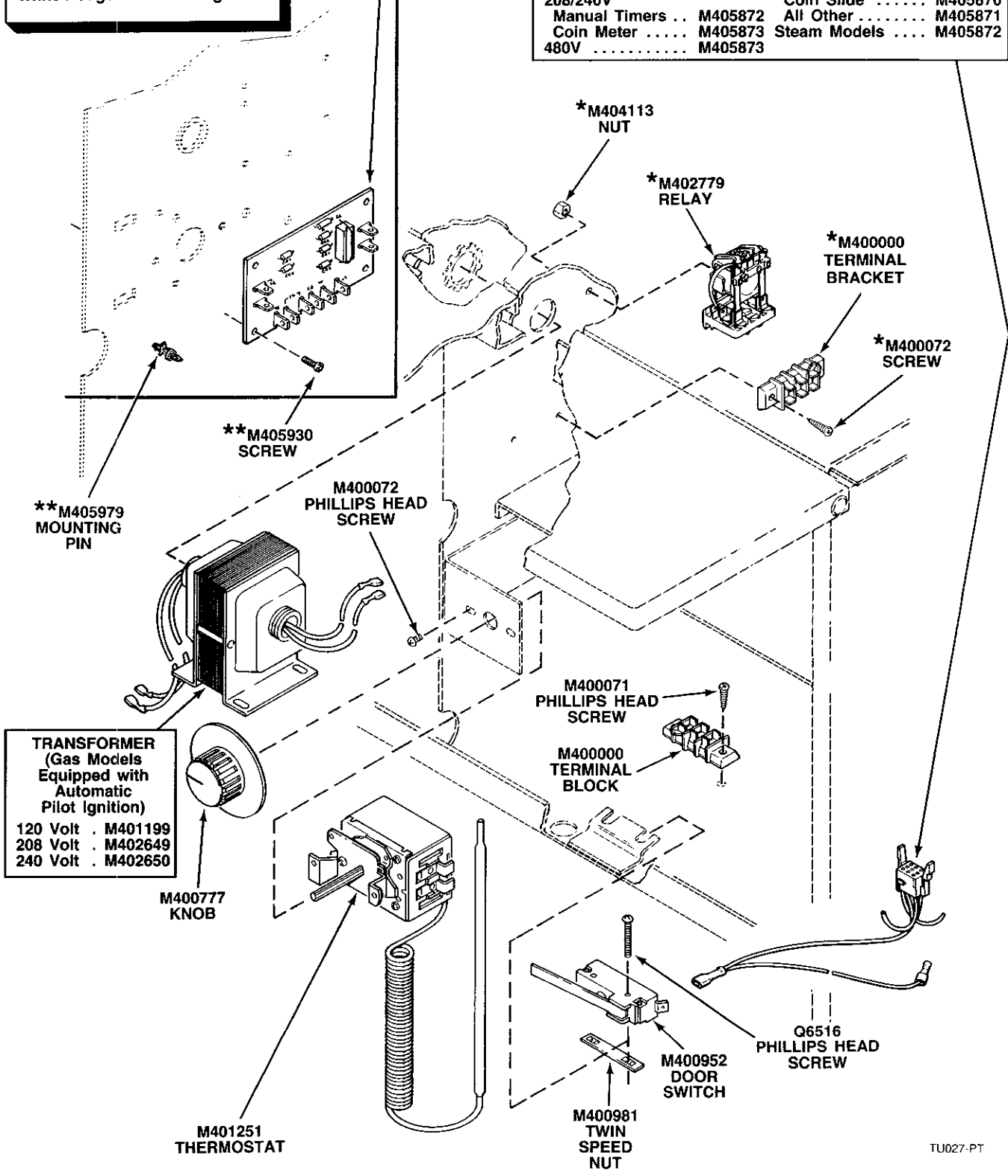
TIMING CAM	
3 Pin	53240
4 Pin	53241
5 Pin	M400239
6 Pin	53243

TU026-PT

ACCUMULATOR — COIN SLIDE MODELS

*Gas Models Equipped with Johnson Controls Glow Bar Ignition.
 **Gas Models Equipped with White Rodgers Glow Bar Ignition.

WIRE HARNESS	
Models not equipped with Junction Box (see Page 6 and 7)	M405871
Models equipped with Junction Box (see Page 6 and 7)	
Electric Models	Gas Models
208/240V	Coin Slide
Manual Timers ..	All Other
Coin Meter	Steam Models
480V	



TU027-PT

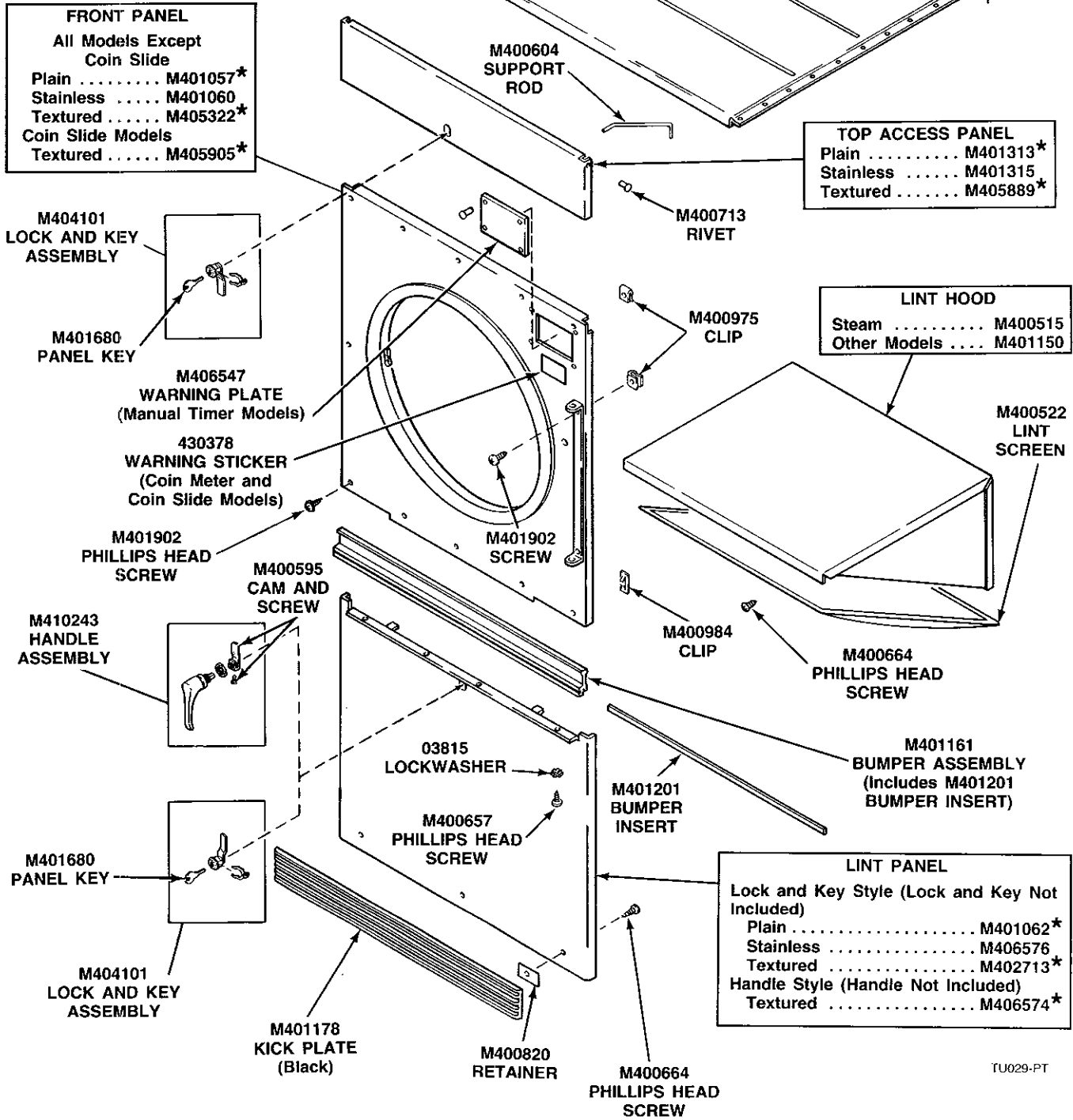
CONTROL THERMOSTAT, DOOR SWITCH, TRANSFORMER, RELAY, AND DIODE LOGIC BOARD

EFFECTIVE JANUARY 1, 1984 PAINTED PARTS ARE AVAILABLE IN THE COLORS LISTED BELOW:

*ADD SUFFIX LETTER TO PART NUMBER TO DESIGNATE COLOR.

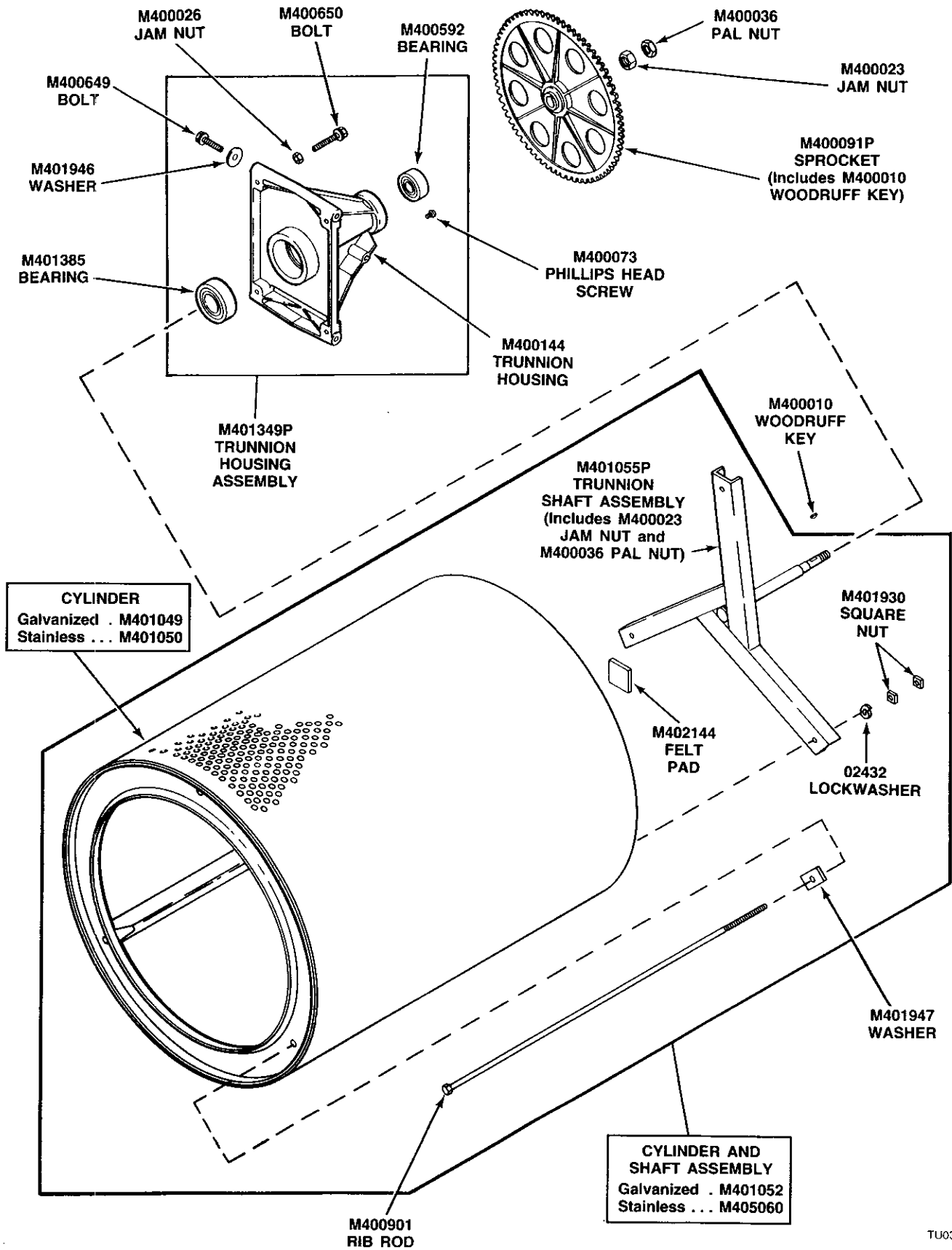
D Apple Green	F Autumn Oak	GR Prime Coat
H Harvest Gold	L Almond	R Butterscotch
V Orange	W White	

Orders For Colors Other Than Above Will Be Prime Coated.



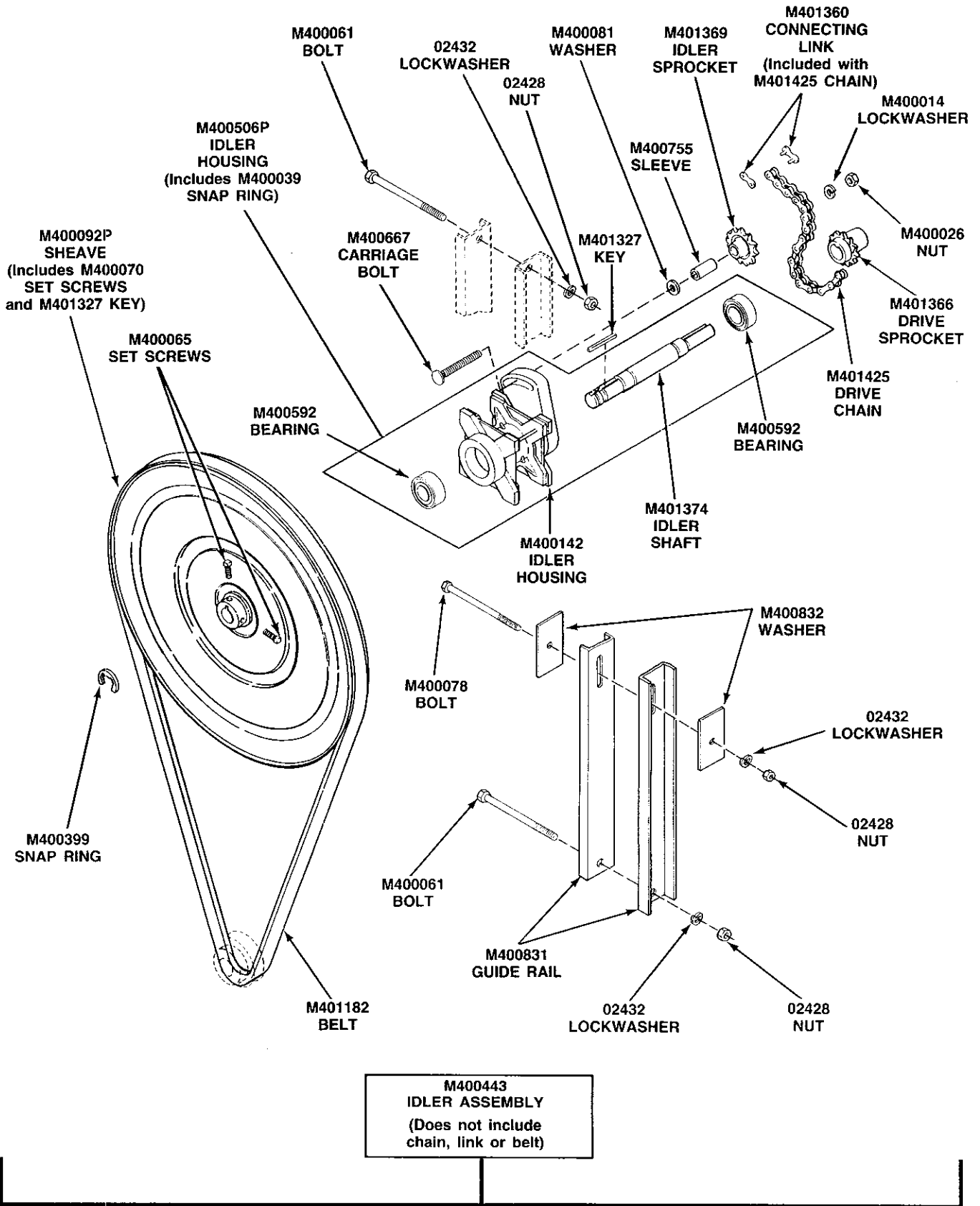
PANELS, LINT HOOD ASSEMBLY AND LINT SCREEN

TU029-PT



TU030-PT

CYLINDER AND TRUNNION ASSEMBLIES



TU031-PT

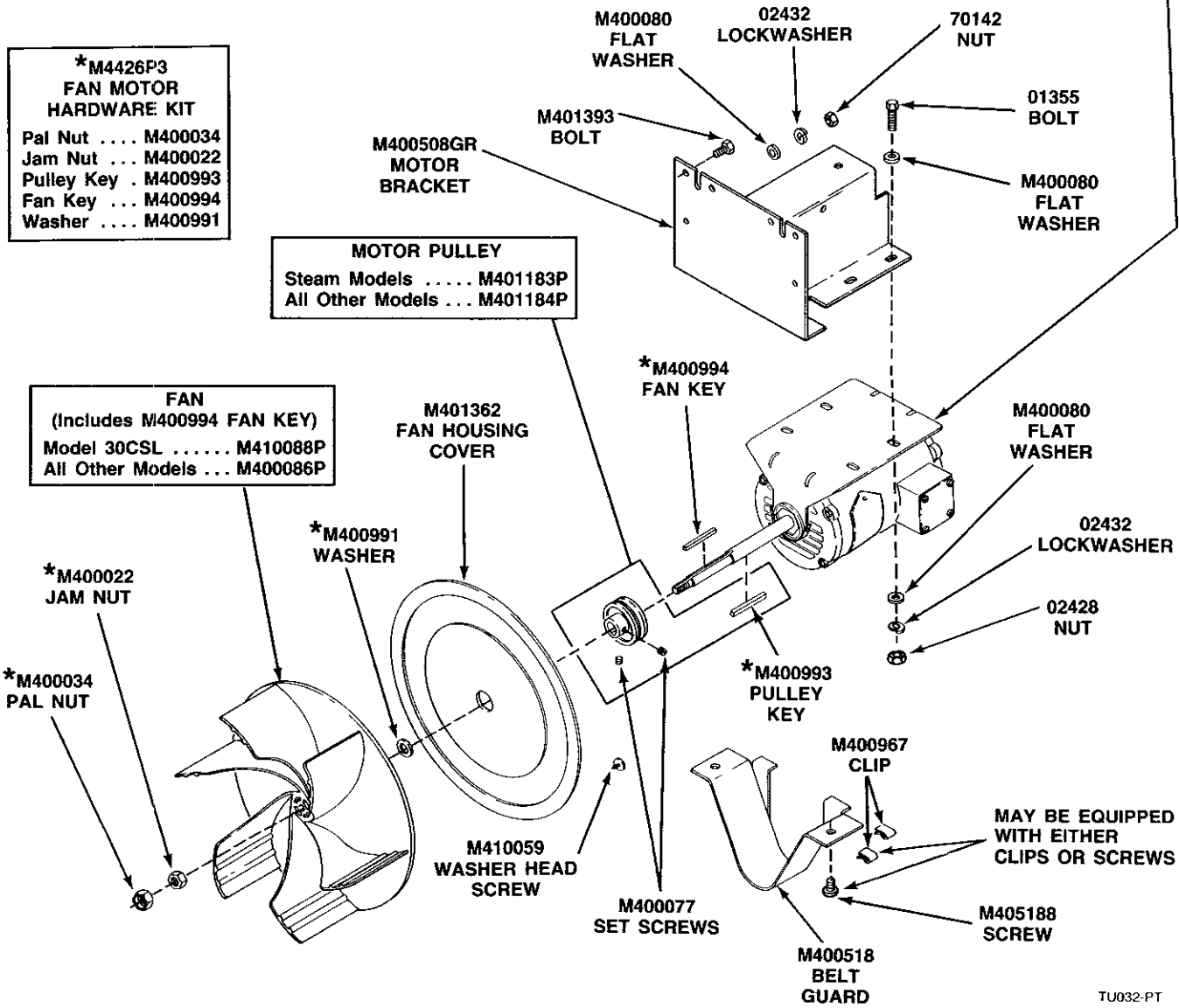
IDLER DRIVE COMPONENTS

STANDARD CONNECTION MOTOR (Through Serial No. 684487YA)	STANDARD CONNECTION MOTOR HARNESS (Through Serial No. 684487YA)	QUICK DISCONNECT MOTOR (Starting Serial No. 684488YA) (Not used on 480V models)	QUICK DISCONNECT MOTOR HARNESS (Starting Serial No. 684488YA)
GAS AND ELECTRIC MODELS 120/240V M400383 208V M400379 480V M400387	MODELS 30CG and 30CGI 120V M405353 208/240V M405357	GAS AND ELECTRIC MODELS M409438	MODELS 30CG and 30CGI 120V M409459 208/240V M409487
STEAM MODELS Model 30CSL .. M400394 Model 30CSH 120/240V M400390 208V M400388	MODELS 30EG and 30EGI 120V M405355 208/240V M405359	STEAM MODELS Model 30CSH .. M409439 Model 30CSL .. M409440	MODEL 30EG 120V M409982 208/240V M409983
	MODEL 30CE 208/240V M405355 480V M405351		MODEL 30CE 208/240V M409982
	MODELS 30CSL and 30CSH 120V M405353 208/240V 1 Phase M405353 208/240V 3 Phase M405352		MODELS 30CSH and 30CSL M409459

***M4426P3 FAN MOTOR HARDWARE KIT**
 Pal Nut M400034
 Jam Nut ... M400022
 Pulley Key . M400993
 Fan Key ... M400994
 Washer M400991

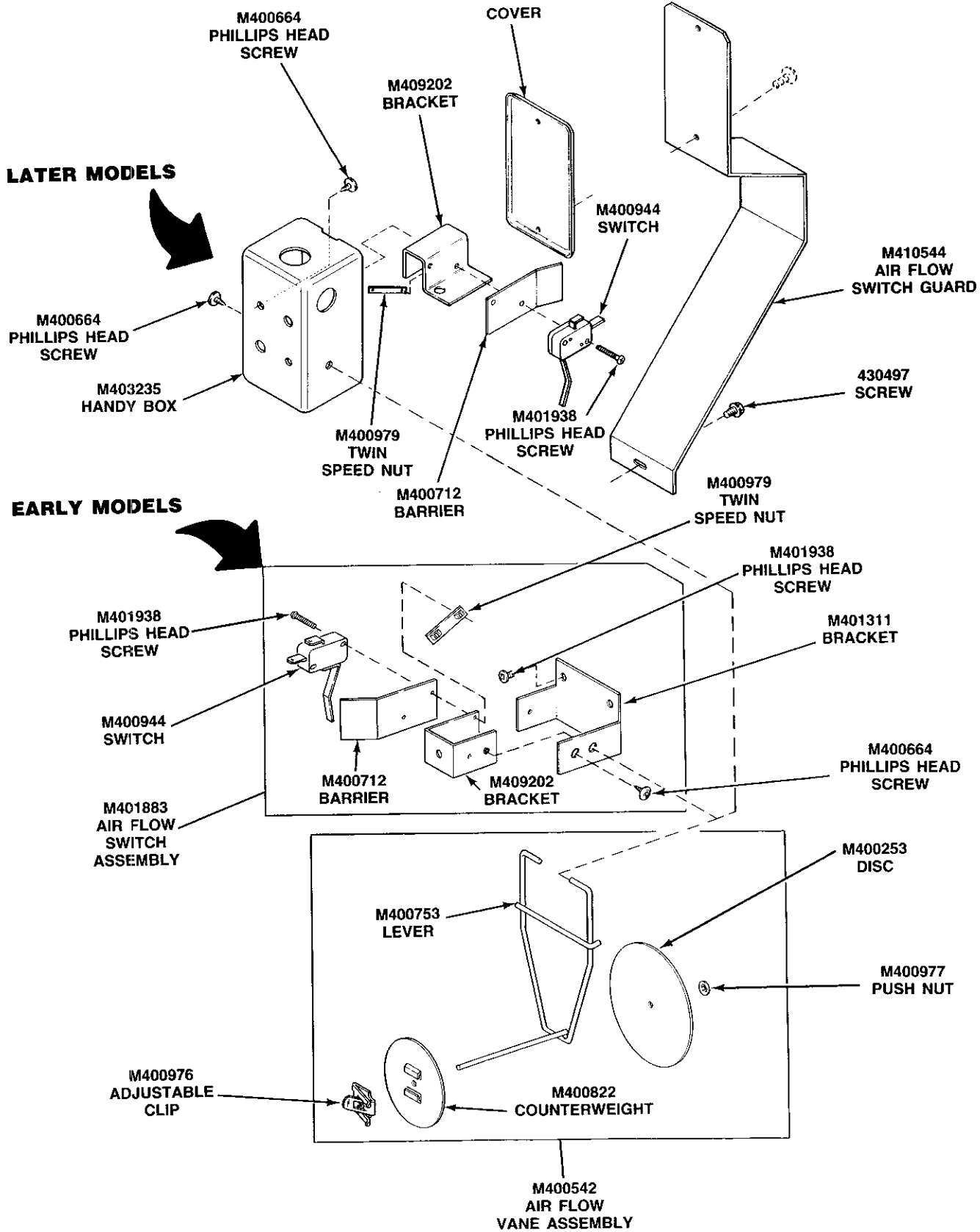
MOTOR PULLEY
 Steam Models M401183P
 All Other Models ... M401184P

FAN
 (Includes M400994 FAN KEY)
 Model 30CSL M410086P
 All Other Models ... M400086P

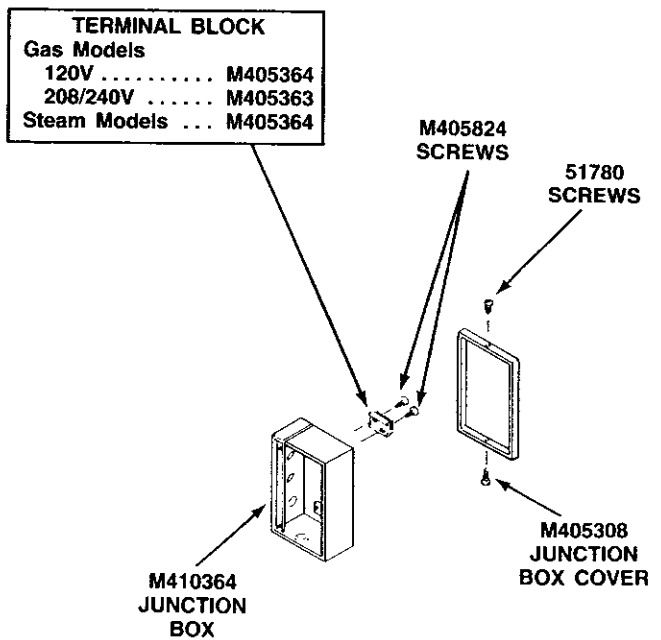
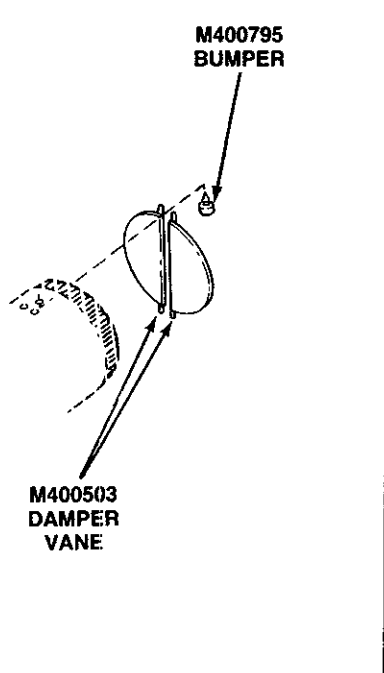
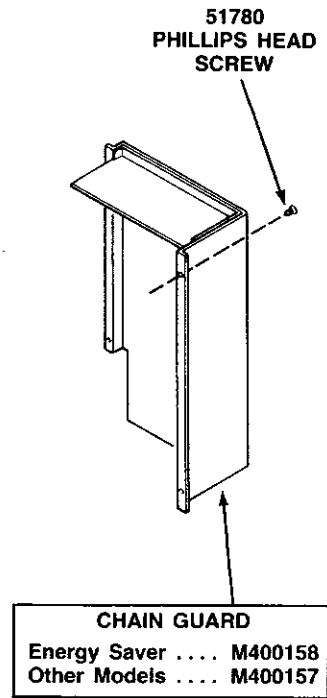
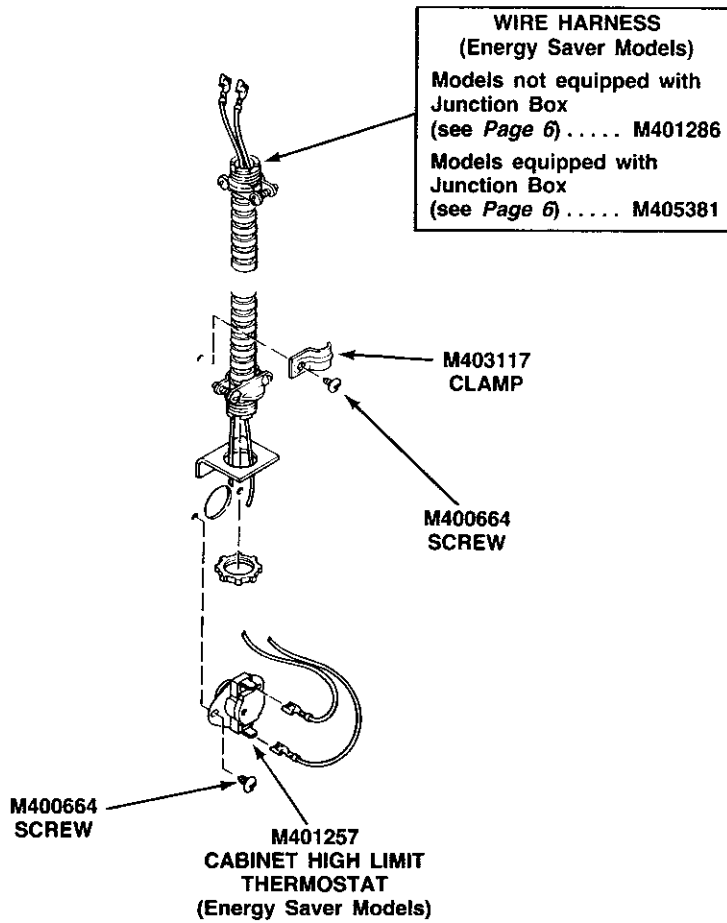


FAN AND MOTOR ASSEMBLY

TU032-PT

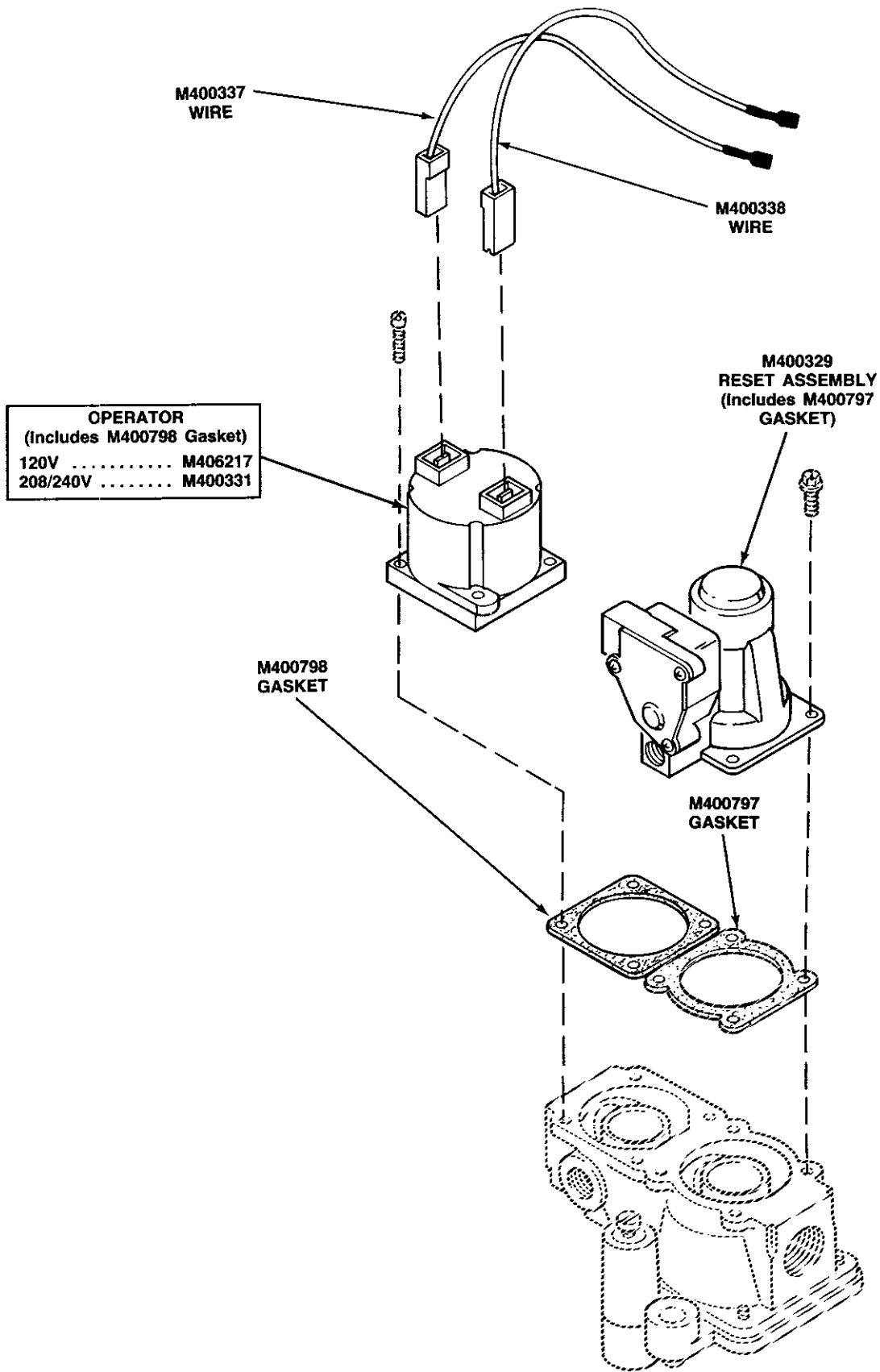


AIR FLOW SWITCH AND AIR FLOW VANE ASSEMBLY



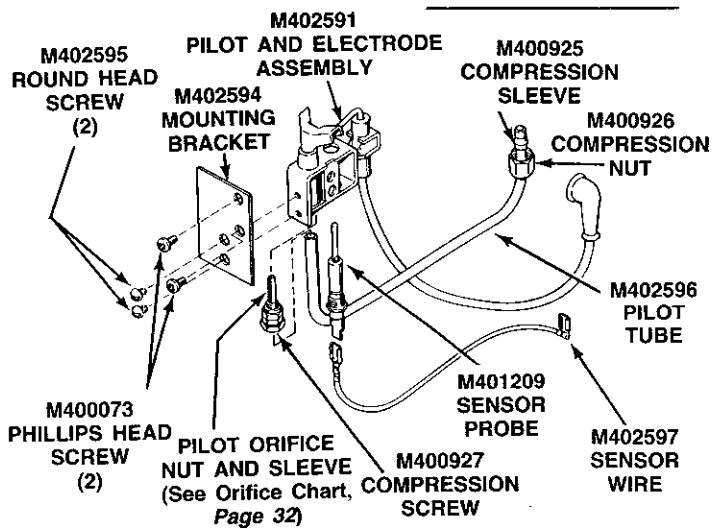
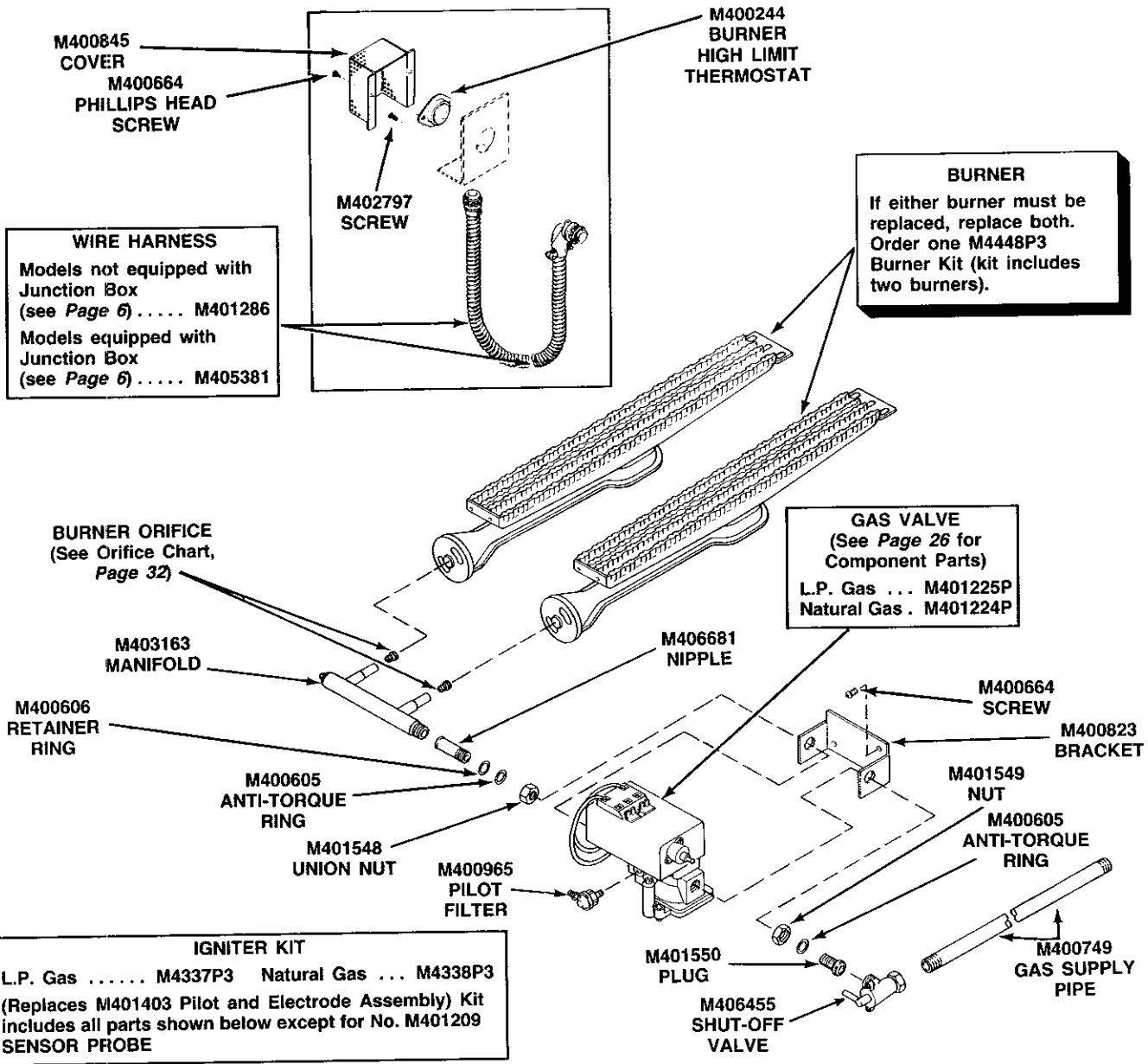
TU033-PT

CABINET, HIGH LIMIT THERMOSTAT, CHAIN GUARD, DAMPER VANE AND JUNCTION BOX

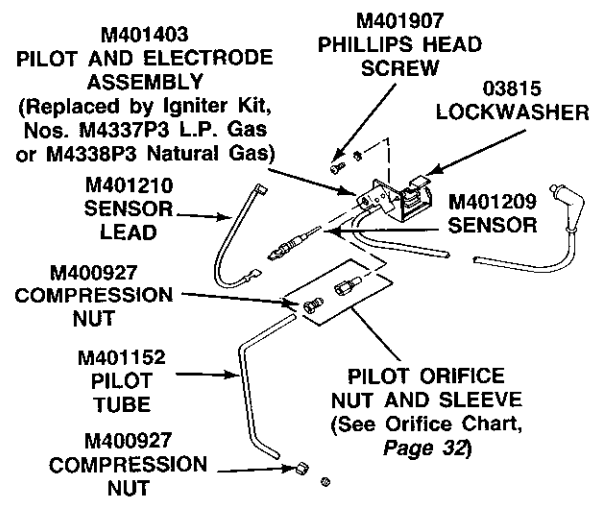


TU036-PT

**GAS VALVE BREAKDOWN
(Standing Pilot Ignition)**



VERTICAL IGNITION SYSTEM

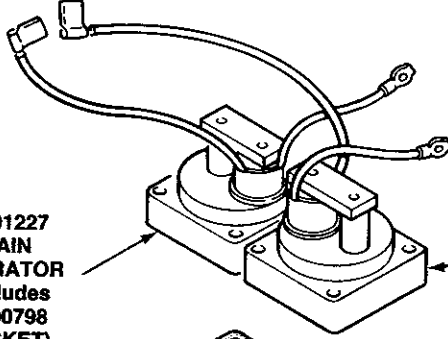
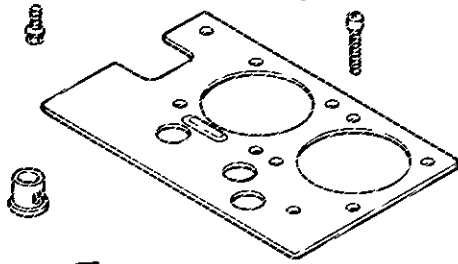
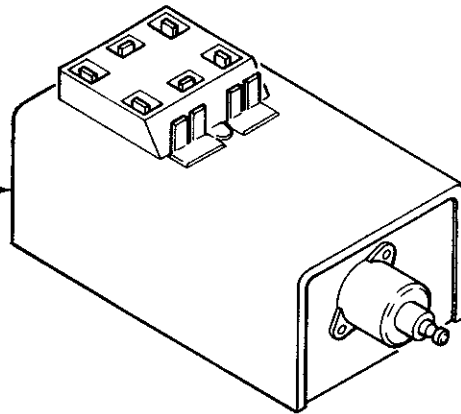


HORIZONTAL IGNITION SYSTEM

BURNER ASSEMBLY
 (Automatic Pilot Ignition)

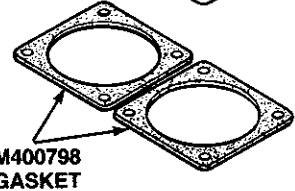
TU037-PT

**ELECTRONIC
PACKAGE
(Not available
order M4385P3
REMOTE IGNITER KIT)**

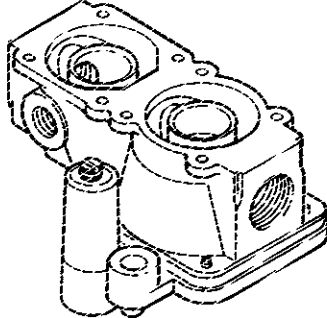


**M401227
MAIN
OPERATOR
(Includes
M400798
GASKET)**

**M401226
PILOT
OPERATOR
(Includes
M400798
GASKET)**

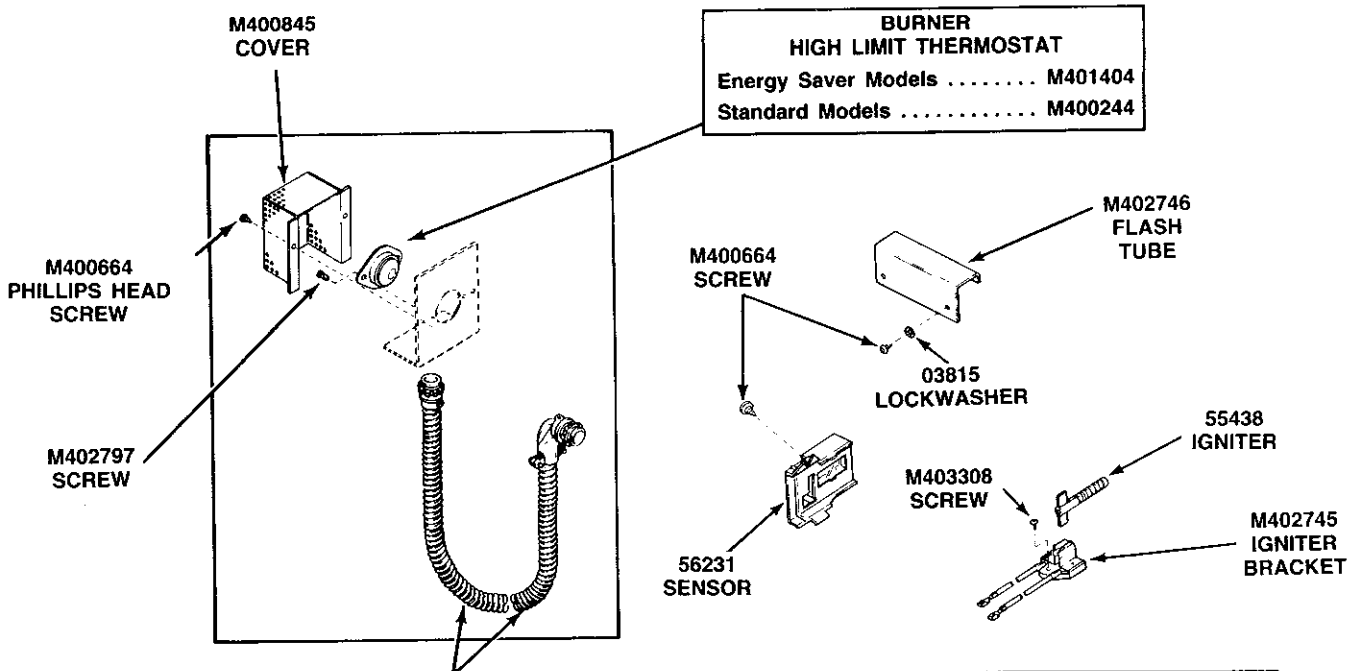


**M400798
GASKET**



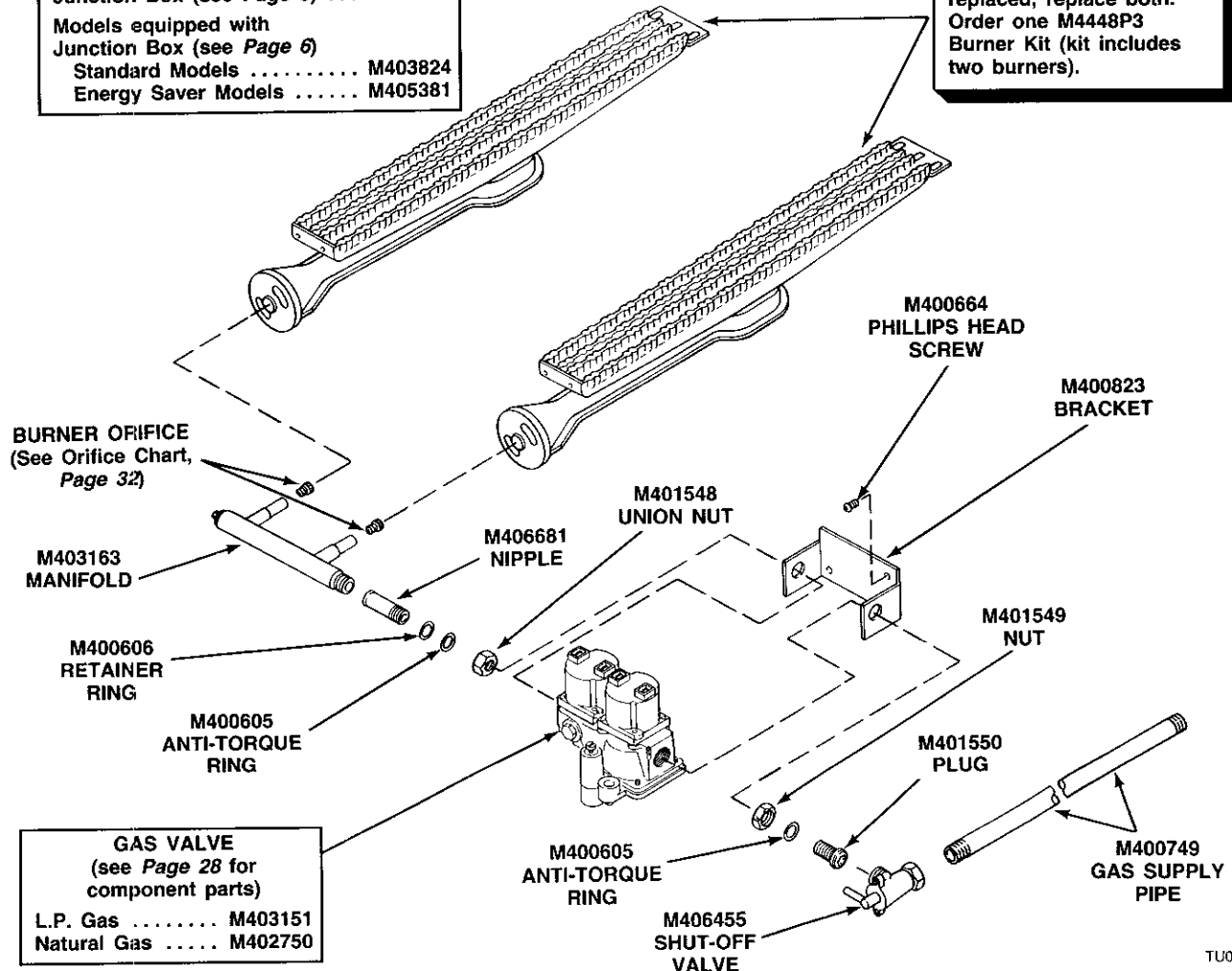
TU048-PT

**GAS VALVE BREAKDOWN
(Automatic Pilot Ignition)**



WIRE HARNESS
 Models not equipped with Junction Box (see Page 6) ... M401286
 Models equipped with Junction Box (see Page 6)
 Standard Models M403824
 Energy Saver Models M405381

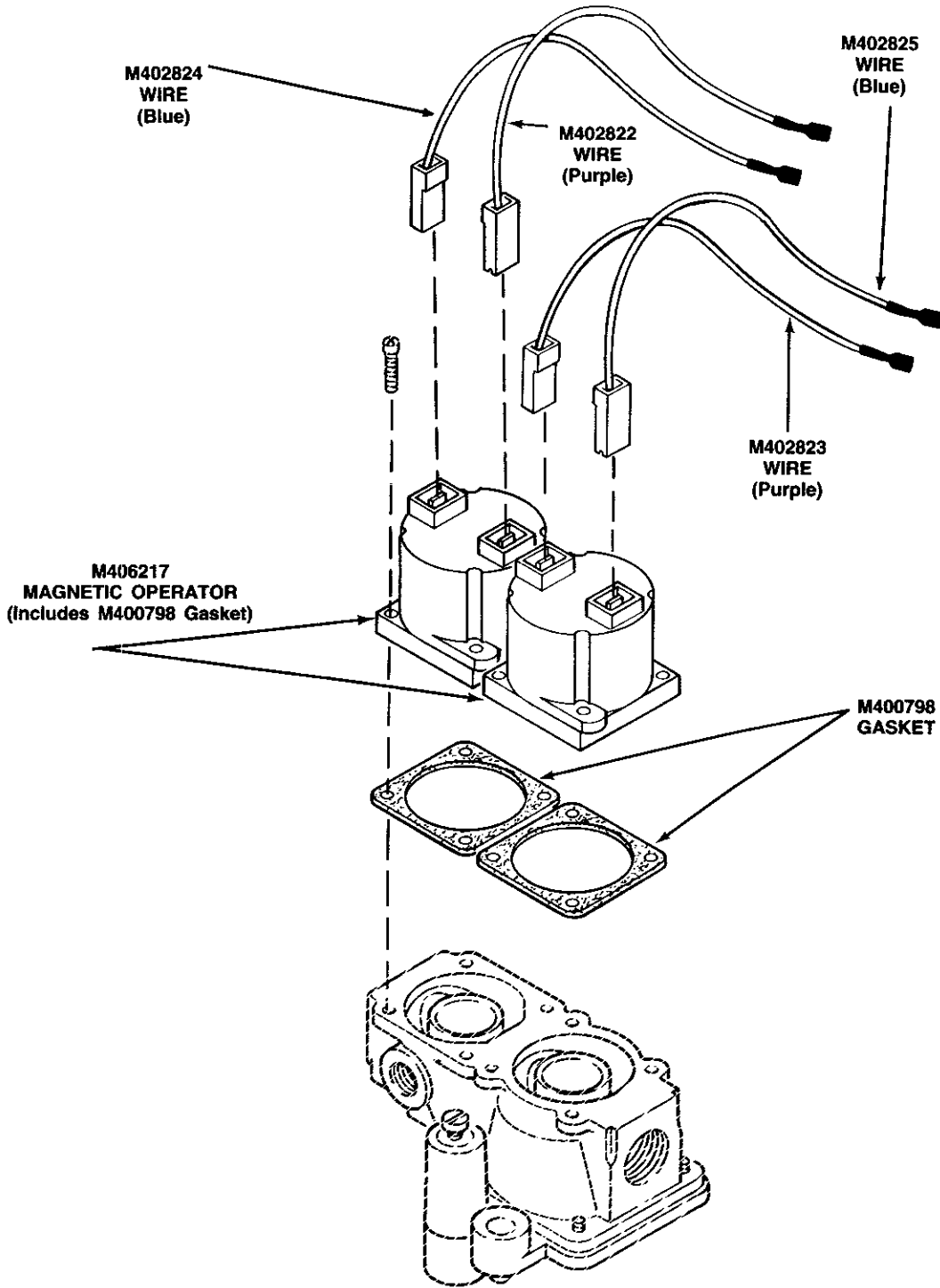
BURNER
 If either burner must be replaced, replace both.
 Order one M4448P3 Burner Kit (kit includes two burners).



GAS VALVE
 (see Page 28 for component parts)
 L.P. Gas M403151
 Natural Gas M402750

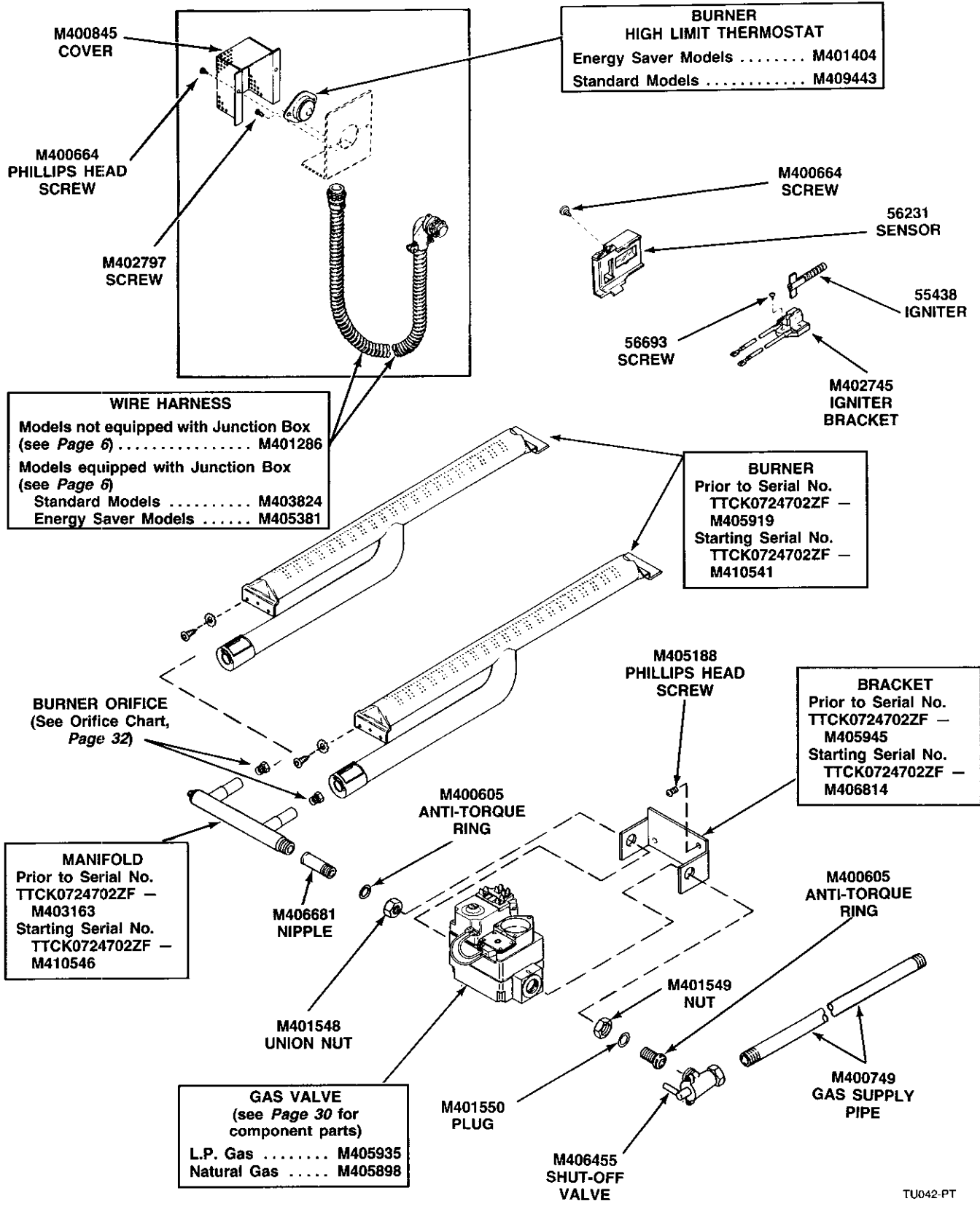
BURNER ASSEMBLY
 (Johnson Controls Glow-Bar Ignition)

TU040-PT



TU041-PT

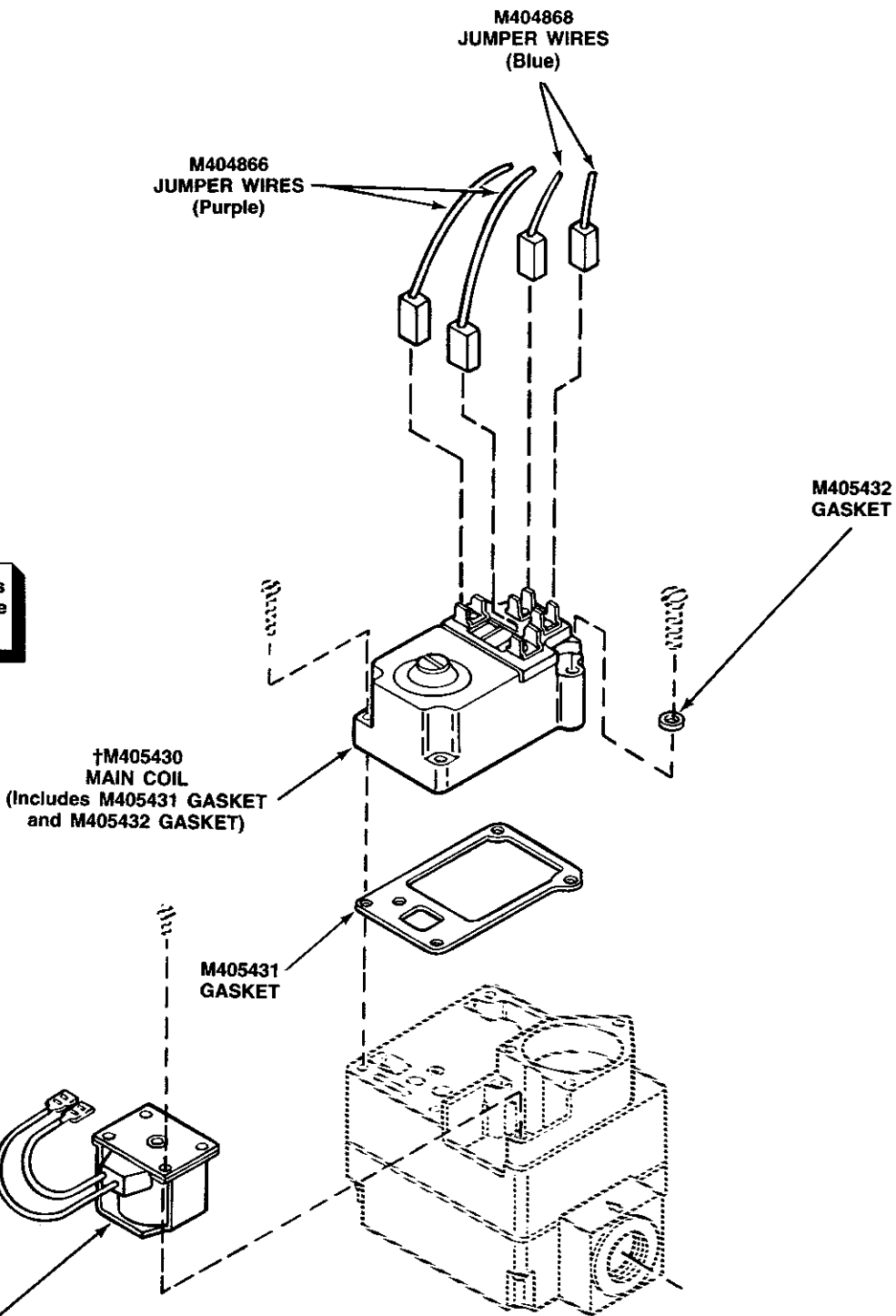
**GAS VALVE BREAKDOWN
(Johnson Controls Glow-Bar Ignition)**



BURNER ASSEMBLY
 (White Rodgers Glow-Bar Ignition)

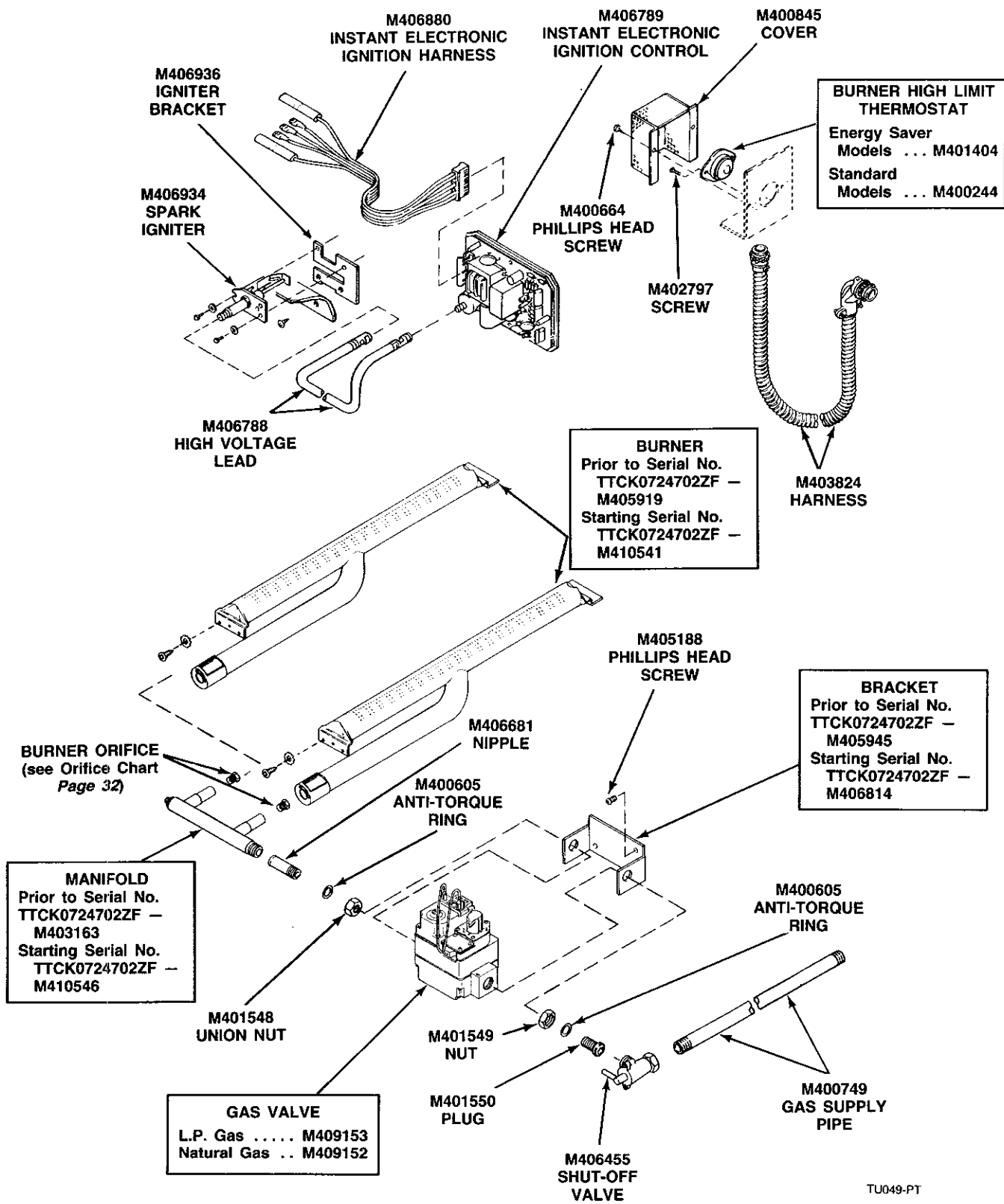
TU042-PT

†The M405434 Valve Kit is required if the coil is to be used with L.P. Gas.



TU043-PT

**GAS VALVE BREAKDOWN
(White Rodgers Glow-Bar Ignition)**



TU049-PT

BURNER ASSEMBLY
(Instant Electronic Ignition)

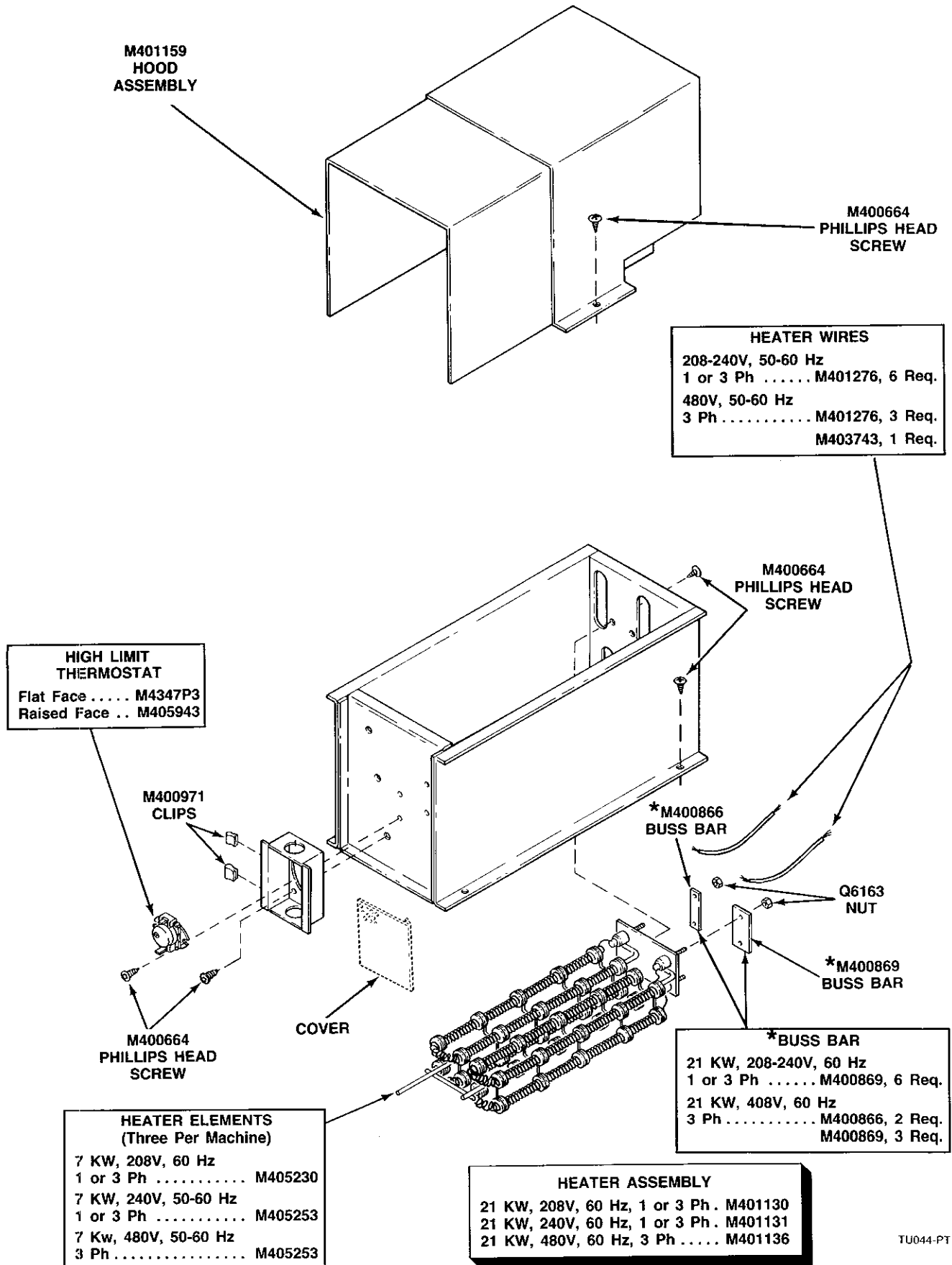
BURNER ORIFICE (All Models Except Energy Saver)				
TYPE OF GAS	ALTITUDE		DRILL SIZE	PART NO.
*Natural Gas	0 - 2,000 ft.		No. 28	M401014
	2,001 - 4,000 ft.		No. 29	M400997
	4,001 - 8,000 ft.		No. 30	M401021
	8,001 - 10,000 ft.		No. 31	M401017
*L.P. Gas	0 - 2,000 ft.		No. 44	M401001
	2,001 - 4,000 ft.		No. 45	M401027
	4,001 - 6,000 ft.		No. 46	M401003
	6,001 - 8,000 ft.		No. 47	M400999
	8,001 - 10,000 ft.		No. 48	M401001
BURNER ORIFICE (Energy Saver Models)				
*Natural Gas	0 - 2,000 ft.		No. 31	M401017
	2,001 - 4,000 ft.		No. 32	M402444
	4,001 - 6,000 ft.		No. 33	M401022
	6,001 - 8,000 ft.		No. 35	M402487
	8,001 - 10,000 ft.		No. 37	M401024
**L.P. Gas	0 - 2,000 ft.		No. 48	M401001
	2,001 - 4,000 ft.		No. 48	M401018
	4,001 - 8,000 ft.		No. 50	M401016
	8,001 - 10,000 ft.		No. 51	M401019

TYPE OF GAS	IGNITION SYSTEM	ALTITUDE			DRILL SIZE	PART NO.
*Natural Gas	Standing Pilot	0	-	6,000 ft.	.023	M400922
	Automatic Pilot (Horizontal)	0	-	6,000 ft.	.025	M400920
	Automatic Pilot (Vertical)	0	-	6,000 ft.	.023	M402701
*L.P. Gas	Standing Pilot (Horizontal)	0	-	5,900 ft.	.012	M400918
	Automatic Pilot (Horizontal)	0	-	5,900 ft.	.012	M400918
	Automatic Pilot (Vertical)	0	-	5,900 ft.	.012	M402598

* Natural Gas — 1000 B.T.U./cu.ft.; Specific Gravity 0.60; 3.5 inch W.C.

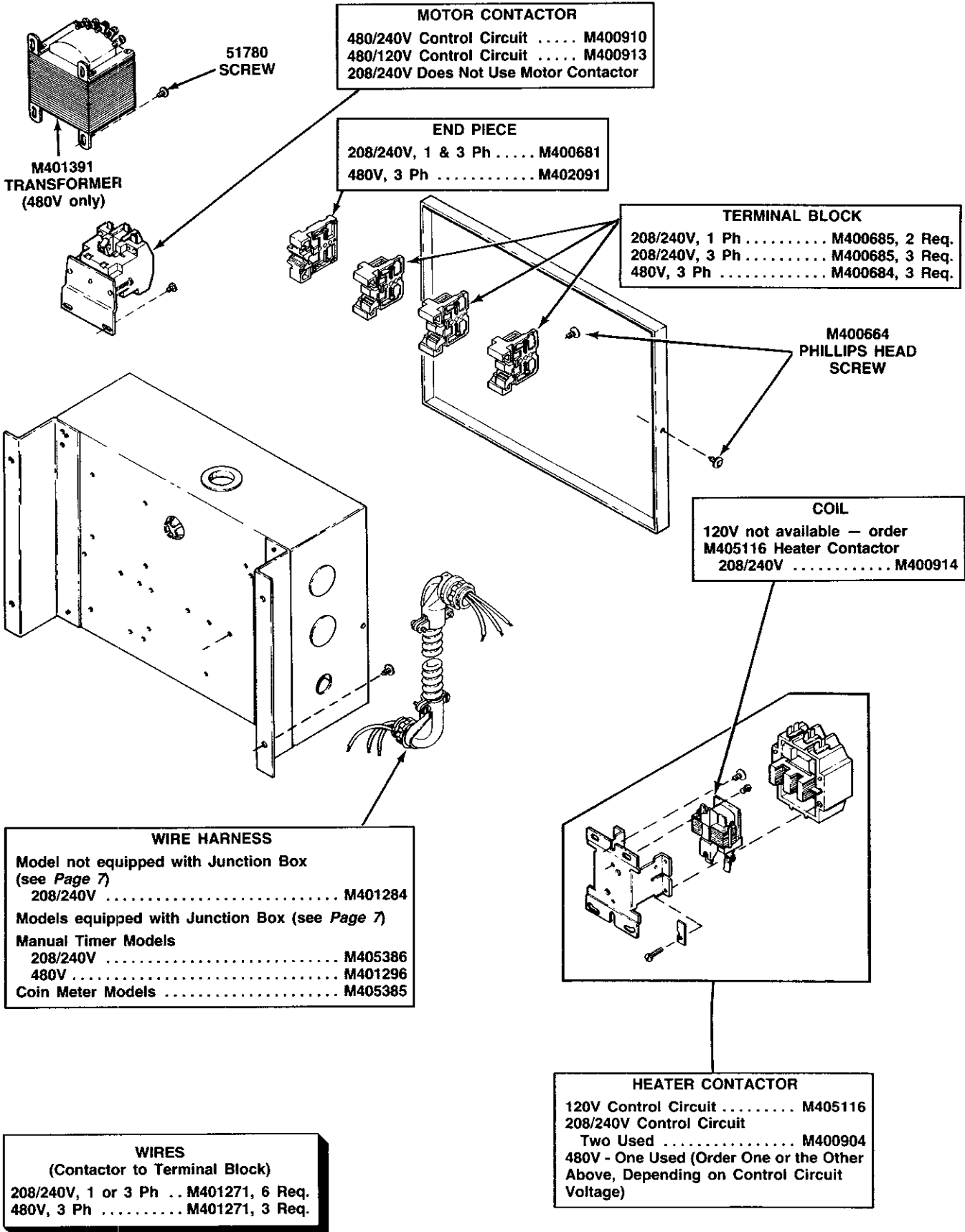
** L.P. Gas — 2500 B.T.U./cu.ft.; Specific Gravity 1.53; 11 inch W.C.

BURNER ORIFICE CHART
(Instant Electronic Ignition)



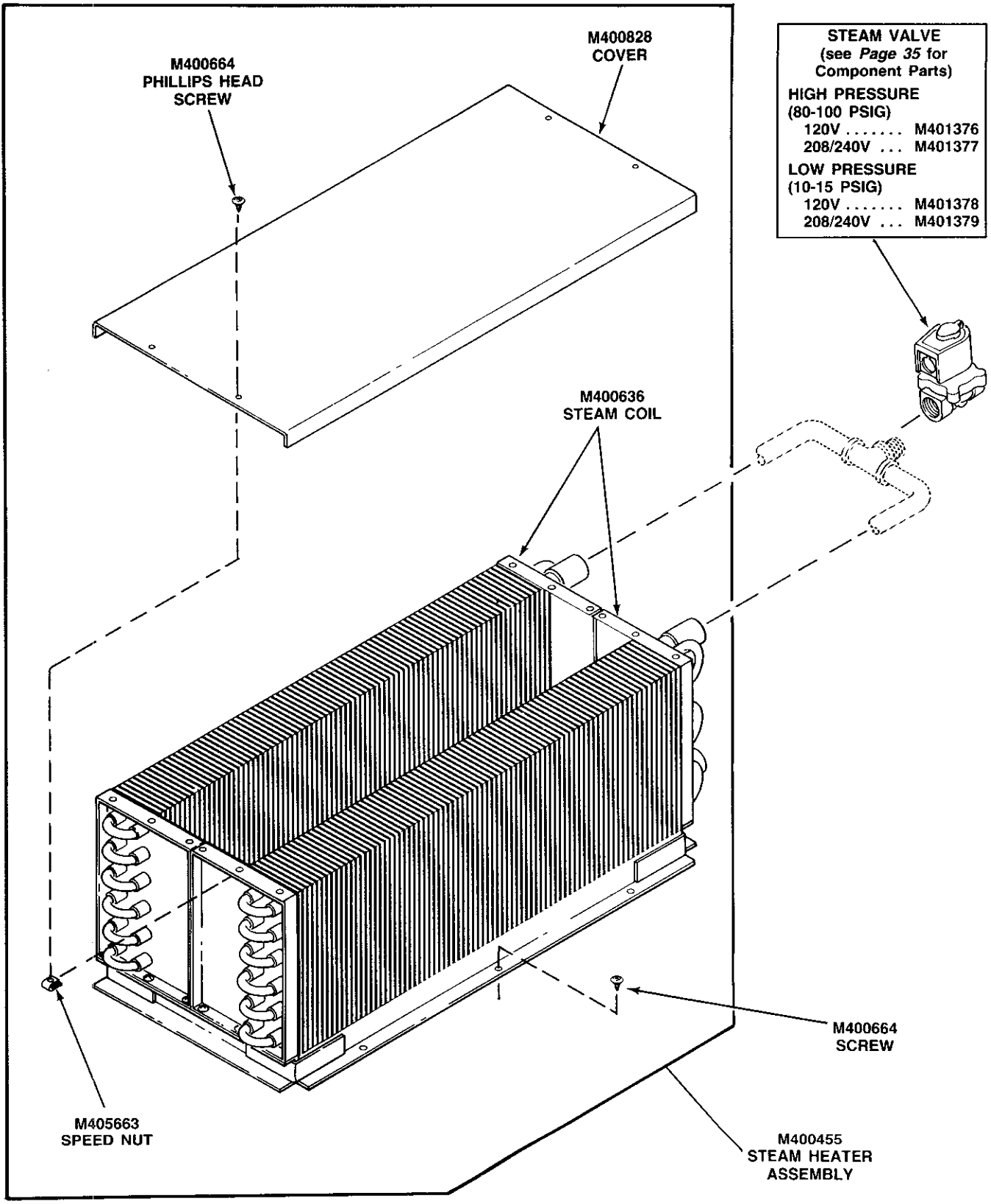
TU044-PT

ELECTRIC HEATER ASSEMBLY



ELECTRICAL CONTACTOR BOX ASSEMBLY

TU045-PT



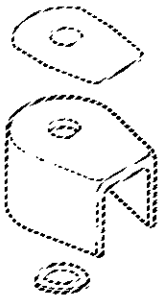
TU046-PT

STEAM HEATER AND VALVE ASSEMBLIES

***REPAIR KIT**
 (Includes parts marked with an asterisk)

OLD STYLE WITH RED CAP
 High Pressure (80-100 PSIG) M400152
 Low Pressure (10-15 PSIG) M401384

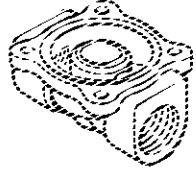
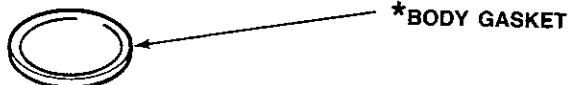
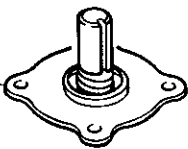
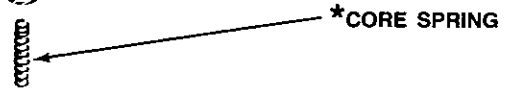
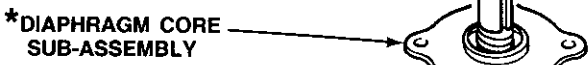
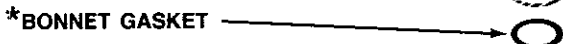
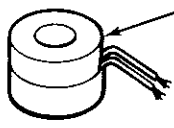
**NEW STYLE WITH RETAINER CAP
 IN PLACE OF RED CAP**
 High Pressure
 Asco No. 304669 M410699
 Low Pressure
 Asco No. 304031 M410698



REPLACEMENT COIL

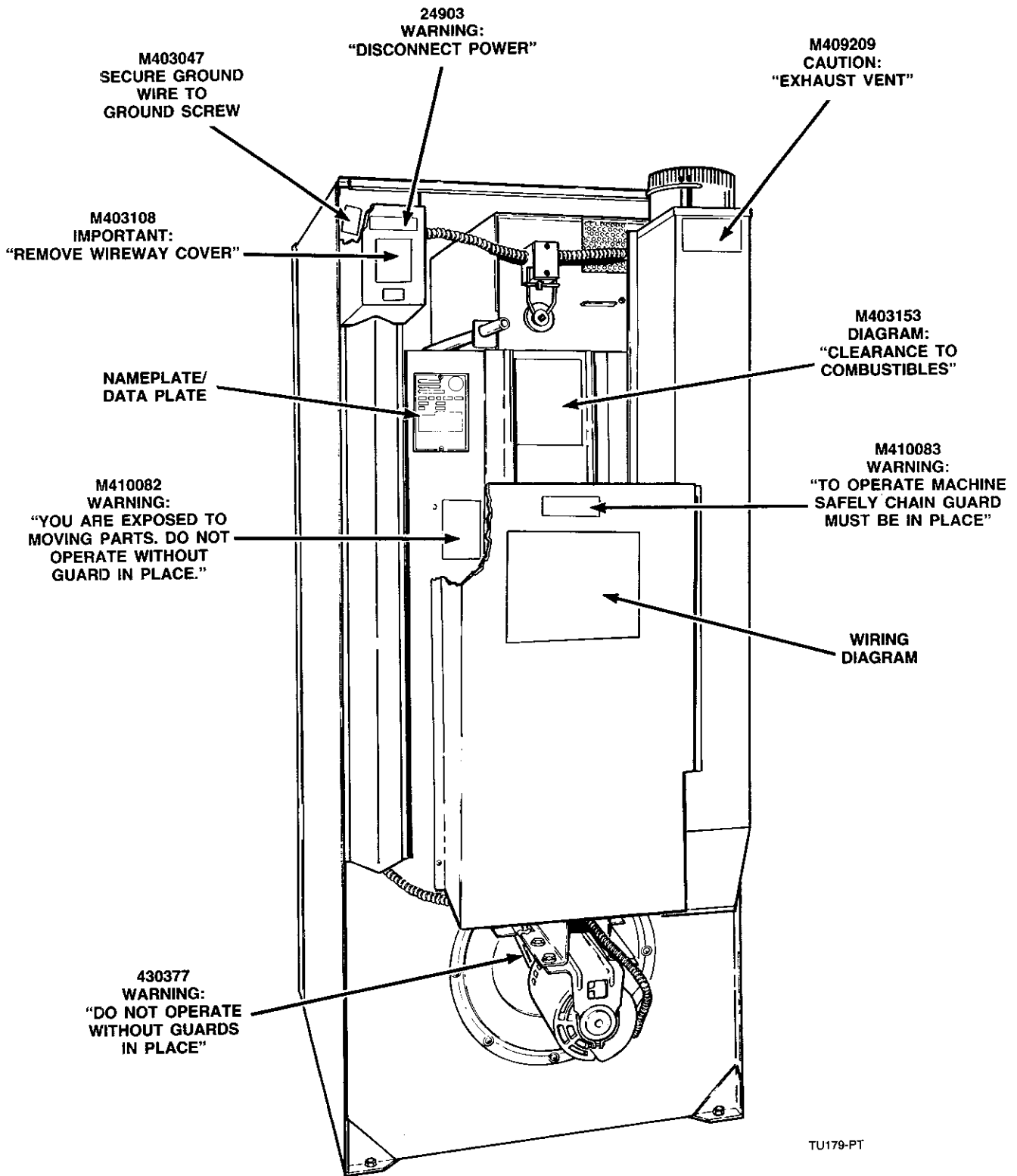
HIGH PRESSURE (80-100 PSIG)
 120V M401380
 208/240V M401381

LOW PRESSURE (10-15 PSIG)
 120V M401382
 208/240V M401383



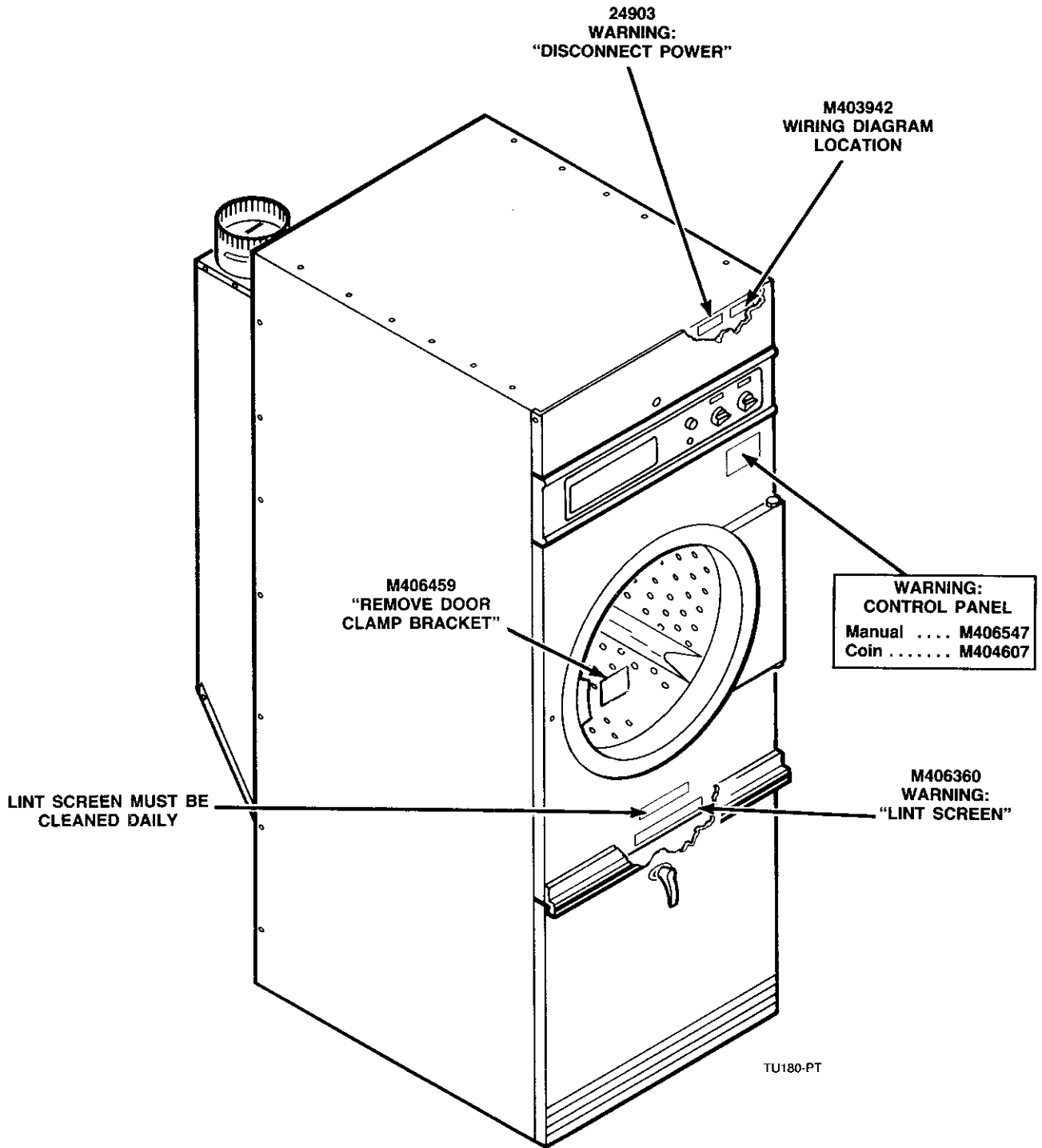
TU047-PT

SOLENOID STEAM VALVE BREAKDOWN



TU179-PT

WARNING DECALS — REAR



WARNING DECALS — FRONT